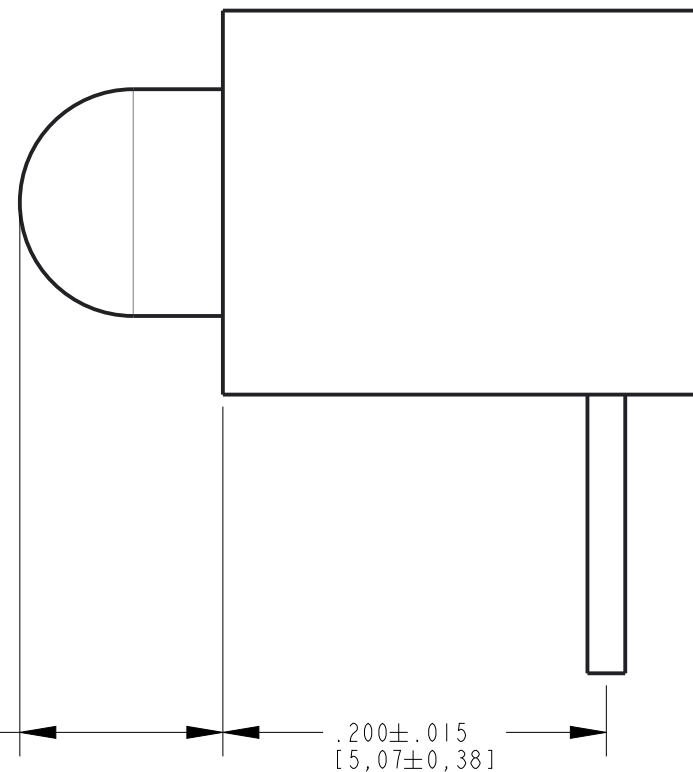
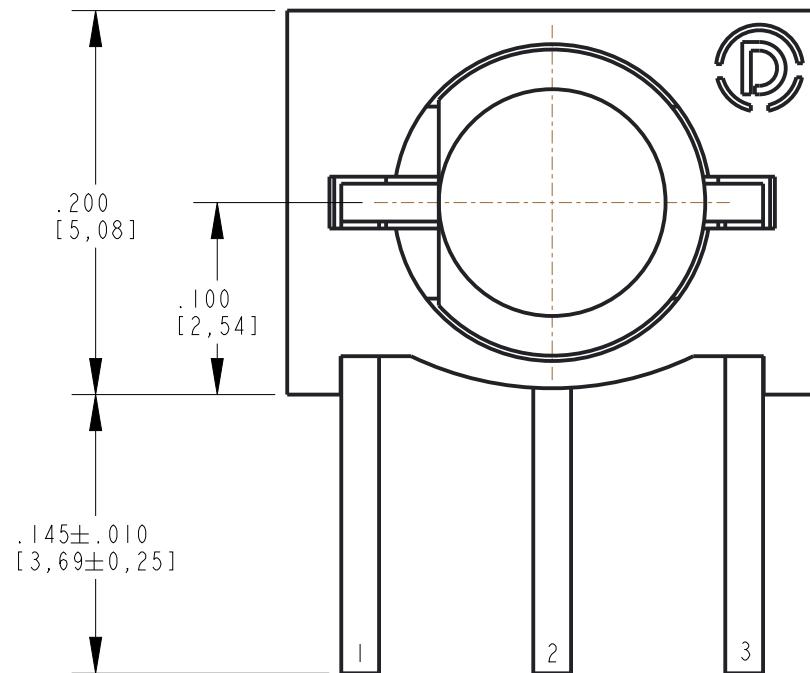
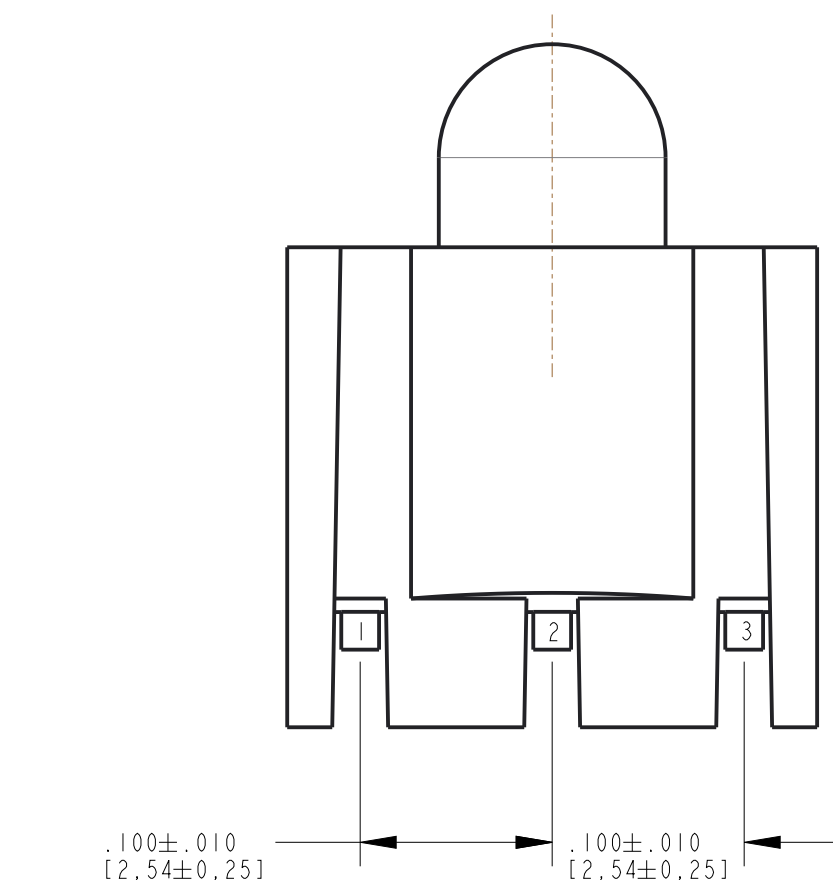
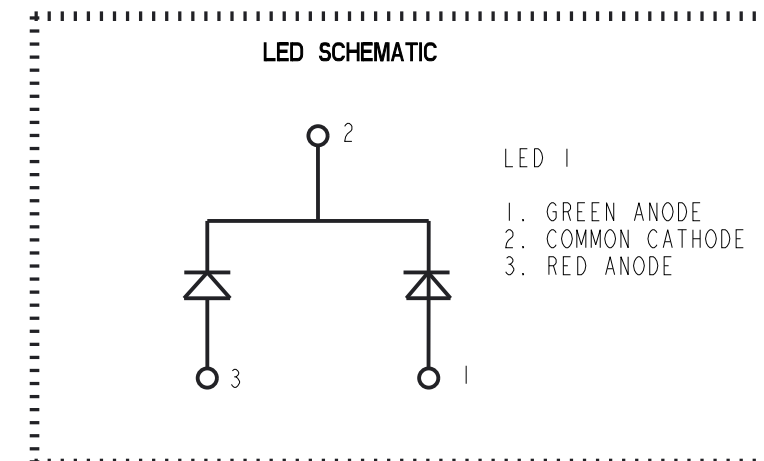


REV	REVISIONS	DRN	CKD	APP	QA	CM	DATE
A	NEW RELEASE	LD	NO				1-4-22



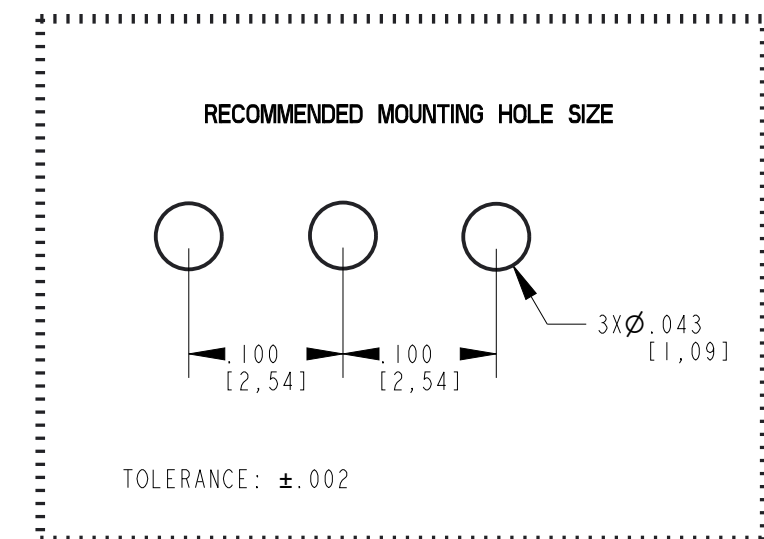
NOTES:

1. DIALIGHT PART NUMBER: 551-3513F
2. CENTER TO CENTER LEAD DIMENSIONS MEASURED AT HOUSING EXIT.
3. THIS ASSEMBLY CONTAINS ELECTROSTATIC DISCHARGE SENSITIVE DEVICES (ESDS). MAINTAIN ALL PRECAUTIONARY MEASURES DURING ASSEMBLY, HANDLING, AND STORAGE IN ACCORDANCE WITH IPC-A-610.



ABSOLUTE MAXIMUM RATINGS AT TA=25 C			
PARAMETER	GREEN	RED	UNIT
POWER DISSIPATION	100	100	mW
PEAAK FORWARD CURRENT (DUTY CYCLE < 1/10, PULSE WIDTH < 10ms)	120	120	mA
DC FORWARD CURRENT	30	30	mA
OPERATING TEMPERATURE RANGE	-30° C TO +85° C		
STORAGE TEMPERATURE RANGE	-40° C TO +100° C		
LEAD SOLDERING TEMPERATURE [2.0mm(.079")FROM BODY]	260° C FOR 5 SECONDS MAX.		

ELECTRICAL/OPTICAL CHARACTERISTICS AT TA=25 C							
PARAMETER	SYMBOL	COLOR	MIN.	TYP.	MAX.	UNIT	TEST CONDITION
RADIANT INTENSITY	I _v	RED	12.6	19	100	mcd	IF=20mA
		GREEN	12.6	19	100		
VIEWING ANGLE		RED				deg	
		GREEN		75			
PEAK EMISSION WAVELENGTH		RED		630		nm	
		GREEN		565			
DOMINANT WAVELENGTH		RED	615	625	634	nm	
		GREEN	565	573	578		
SPECTRAL LINE HALF-WIDTH		RED		40		nm	
		GREEN		30			
FORWARD VOLTAGE	VF	RED		2.0	2.6	V	IF=20mA
		GREEN		2.1	2.6		
REVERSE CURRENT	IR	RED			100		VR=5V
		GREEN					



THIS DRAWING AND THE CONTENTS HEREIN ARE CONFIDENTIAL AND THE SOLE PROPERTY OF DIALIGHT CORP. REPRODUCTION OF THIS DRAWING OR CONSTRUCTION OF ANY PARTS WITHIN THIS DRAWING ARE FORBIDDEN WITHOUT THE WRITTEN CONSENT OF DIALIGHT CORP.

DIALIGHT CORP INTERNAL REFERENCE ONLY = 3D MODEL : 5513513F-A.4

SCALE: 3.000	DRAWING NUMBER	REV
ALL DIM's: INCH (mm)		
TOLERANCES: UNLESS OTHERWISE SPECIFIED	C-18547	A
FRACTIONS: ±1/64 DECIMALS (.XX): ±.01 DECIMALS (.XXX): ±.005 DECIMALS (.XXXX): ±.0005 ANGLES: ±1°	TITLE 3MM CBI .100" CL R/G 3 LEADS	
FINISH	MATERIAL SEE BOM	
FSCM 83330	Dialight 1501 ROUTE 34 SOUTH FARMINGDALE, NJ 07727 (732) 919-3119 www.dialight.com	
	SHEET 1 OF 1	FAMILY TABLE: