

IMPACT67 E DIO16 4P

IMPACT67 EthernetIP compact module, plastic housing,

Digital inputs/outputs

DIO16

Ethernet 10/100 Mbit/s; M12, D-coded

7/8", 4-pole, 2× max. 9 A

M12, 5-pole, A-coded

DLR (Device Level Ring)

Connection cables are in the online shop under "Connection Technology".

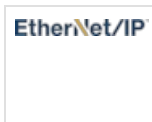
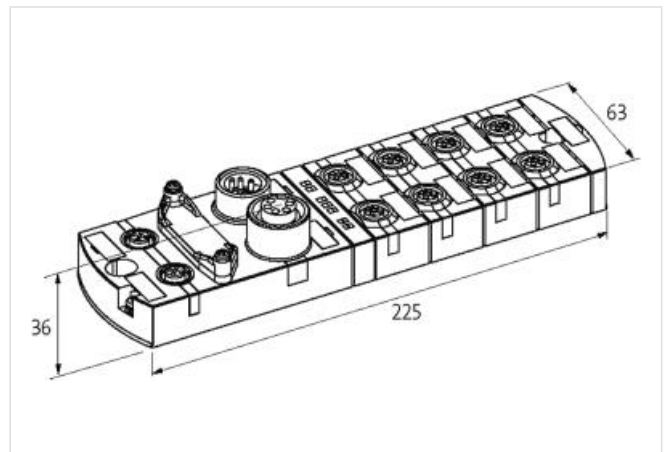
Housing fully potted.

Link to Product

Illustration



Product may differ from Image



classifications

ECLASS-6.0	27242604
ECLASS-6.1	27242604
ECLASS-7.0	27242604
ECLASS-8.0	27242604
ECLASS-9.0	27242604
ECLASS-10.1	27242604
ECLASS-11.1	27242604
ECLASS-12.0	27242604
ETIM-5.0	EC001599

Output

Lamp load	10 W
Actuator supply UA	24 V DC (EN 61131-2), max. 9 A
Switching current per output	max. 1.6 A (short-circuit and overload protected)

EtherNet/IP

Multiple connections	yes
QC (Quick Connect)	max. 360 ms
CIP Sync	yes

Composite Test Revision	CT14
Addressing	DHCP, BOOTP or IP address by DIP switch
DLR (Device Level Ring)	yes
Connections	
Fieldbus	Ethernet 10/100 Mbit/s; M12, D-coded
Sensor-system/actuator supply	7/8", 4-pole, 2× max. 9 A
I/O ports	M12, 5-pole, A-coded
Input	
Sensor supply US	24 V DC (EN 61131-2), max. 200 mA (M12 female), short-circuit and overload protected
Type	for 3-wire sensors or mechanical switches, PNP
General data	
Mounting method	2-hole screw mounting, compatible with I/O modules of MVK model range
Temperature range	-25...+55 °C (storage temperature -40...+85 °C)
Protection	IP67
Dimensions H×W×D	39×63×225 mm
Parameterization	
PIN 4	Input/Output (port X0...X7)
PIN 2	Input/Output (port X0...X7)
Diagnostic	
Communication status	via LED
Diagnostic via BUS	per module and channel
Diagnostic via LED	per module and channel
Actuator warning	per channel via LED and BUS
Monitoring - under voltage	yes
Monitoring - no voltage	yes
Commercial data	
customs tariff number	85389099
GTIN	4048879699723
Packaging unit	1