

REV	ECN NO	REVISIONS	DRN	CKD	APP	DATE
A		NEW RELEASE	TWC	TC	N.O.	7-13-05
B		ADDED P/N 553-0183-200F	TWC			

- NOTES:
- MILLIMETER DIMENSIONS SHOWN FOR REFERENCE ONLY.
 - LEADS TO FIT INTO HOLES SPACED AS PER PATTERN.
 - PIN NUMBERS FOR REFERENCE ONLY, DESIGNATION NON-EXISTENT ON PART.
 - DIALIGHT PART NUMBER: 553-0XXX-200F.
 - THIS ASSEMBLY CONTAINS ELECTROSTATIC SENSITIVE DEVICES (ESDS). MAINTAIN ALL PRECAUTIONARY MEASURES DURING ASSEMBLY, HANDLING AND STORAGE IN ACCORDANCE WITH IPC-A-610.

RoHS Compliant 553-0xxx-200F Thru hole Bi-level CBI

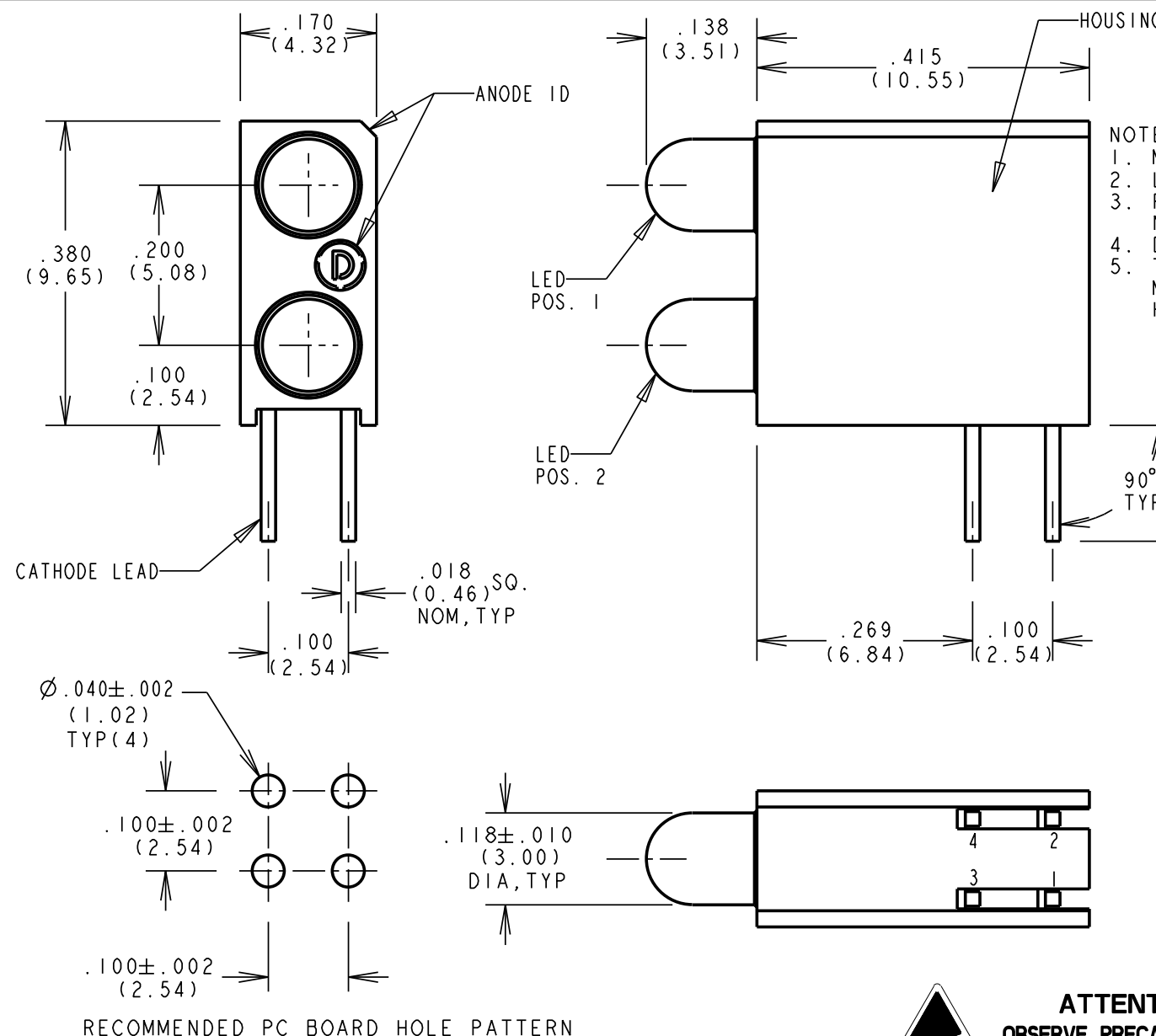
Part Numbers with the "F" suffix ending are RoHS Compliant.
 Example: 553-0101-200F, 553-0333-200F
 The bag packaging is marked with "RoHS Compliant" label or equivalent markings.
 Parts can be wave soldered, dip soldered or hand soldered using typical lead-free soldering process with max 260°C temp. for 5 sec.

OPERATING CHARACTERISTICS AT T_A = 25°C

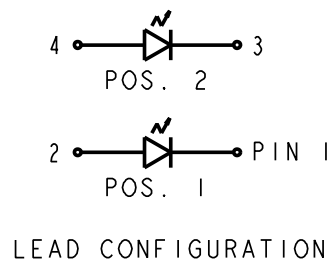
SYMBOL	PARAMETER	COLOR	MIN	TYP	MAX	UNITS	TEST COND.
V _F	FORWARD VOLTAGE	RED		2.0	2.8	V	I _F = 10 mA
		YELLOW		2.1	2.8		
		GREEN		2.1	2.8		
		BLUE		3.5	4.2		
V _R	REVERSE VOLTAGE	ALL	5.0			V	I _R = 100 μA
λ _{PK}	PEAK WAVELENGTH	RED		635		nm	MEASURED AT PEAK
		YELLOW		585			
		GREEN		565			
		BLUE		428			
I _V	LUMINOUS INTENSITY	RED	7.4	10.0		mcd	I _F = 20 mA
		YELLOW	7.4	10.0			
		GREEN	4.7	12.6			
		BLUE	6.3		20		



ATTENTION:
 OBSERVE PRECAUTIONS FOR
 HANDLING ELECTROSTATIC
 SENSITIVE DEVICES



PART NUMBER	LED COLOR (DIFFUSED)	
	POSITION 1	POSITION 2
553-0101-200F	BLANK	RED
553-0102-200F	BLANK	GREEN
553-0103-200F	BLANK	YELLOW
553-0110-200F	RED	BLANK
553-0111-200F	RED	RED
553-0112-200F	RED	GREEN
553-0113-200F	RED	YELLOW
553-0120-200F	GREEN	BLANK
553-0121-200F	GREEN	RED
553-0122-200F	GREEN	GREEN
553-0123-200F	GREEN	YELLOW
553-0128-200F	GREEN	BLUE
553-0130-200F	YELLOW	BLANK
553-0131-200F	YELLOW	RED
553-0132-200F	YELLOW	GREEN
553-0133-200F	YELLOW	YELLOW
553-0183-200F	BLUE	YELLOW
553-0188-200F	BLUE	BLUE
553-0201-200F	BLANK	RED
553-0202-200F	BLANK	GREEN
553-0203-200F	BLANK	YELLOW
553-0210-200F	RED	BLANK
553-0211-200F	RED	RED
553-0212-200F	RED	GREEN
553-0213-200F	RED	YELLOW
553-0220-200F	GREEN	BLANK
553-0222-200F	GREEN	GREEN
553-0232-200F	YELLOW	GREEN
553-0233-200F	YELLOW	YELLOW
553-0311-200F	RED	RED
553-0322-200F	GREEN	GREEN
553-0333-200F	YELLOW	YELLOW



2 ma LOW CURRENT LED.
 OPERATING CHARACTERISTICS AT 25°C AMBIENT
 FOR 553-02XX-400)

CHARACTERISTICS	MIN	TYP	MAX	UNITS	TEST COND.
LUMINOUS INTENSITY	1.0	1.6		mcd	I _F = 2 mA
	1.0	1.6			
	1.0	1.6			
FORWARD VOLTAGE		1.7	2.2	V	I _F = 2 mA
	YELLOW	1.8	2.7		
	GREEN	1.9	2.2		
REVERSE VOLTAGE	5			V	I _R = 10 μA
PEAK WAVELENGTH		635		nm	MEASURED AT PEAK
		585			
		565			
VIEWING ANGLE		60		Degree	

5 V., INTEGRAL RESISTOR LED
 OPERATING CHARACTERISTICS AT 25°C AMBIENT
 FOR 553-03XX-400)

CHARACTERISTICS	L.E.D. COLOR	MIN	TYP	MAX	UNITS	TEST COND.
LUMINOUS INTENSITY	RED	8.7	29		mcd	V _F = 5 V
	YELLOW	3.7	12.6			
	GREEN	5.6	19			
FORWARD CURRENT	RED		10	20	mA	V _F = 5 V
	YELLOW		10	20		
	GREEN		12	20		
REVERSE VOLTAGE	ALL	5			V	I _R = 100 μA
PEAK WAVELENGTH	RED		635		nm	MEASURED AT PEAK
	YELLOW		585			
	GREEN		565			
VIEWING ANGLE	ALL		60		Degree	

THIS DRAWING AND THE CONTENTS HEREIN ARE CONFIDENTIAL AND THE SOLE PROPERTY OF DIALIGHT. REPRODUCTION OF THIS DRAWING OR CONSTRUCTION OF ANY PARTS WITHIN THIS DRAWING ARE FORBIDDEN WITHOUT THE WRITTEN CONSENT OF DIALIGHT.

SCALE: 5:1 ALL DIM'S IN: INCHES (MM)	DRAWING NUMBER C-17269	REV B
TOLERANCES: UNLESS OTHERWISE SPECIFIED	TITLE CBI, 3MM BI-LEVEL, CATHODE LEFT, ROHS COMPLIANT	
FRACTIONS: ±1/64 DECIMALS (.XX): ±.01 DECIMALS (.XXX): ±.005 DECIMALS (.XXXX): ±.0005 ANGLES: ±1°	MATERIAL	
FINISH:	Dialight 1501 ROUTE 34 SOUTH FARMINGDALE, NJ 07727	
FSCM 83330	SHEET 1 OF 1	FAMILY TABLE: