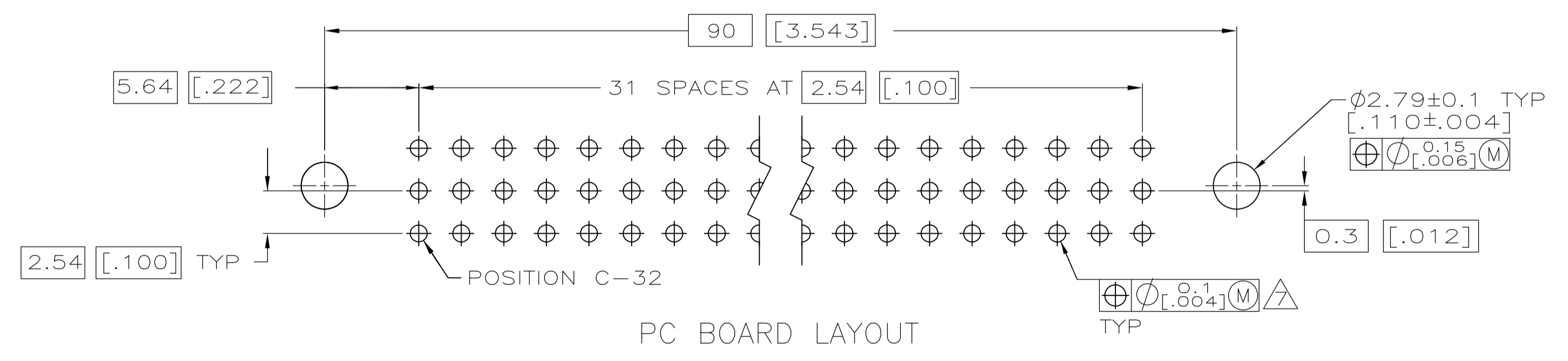
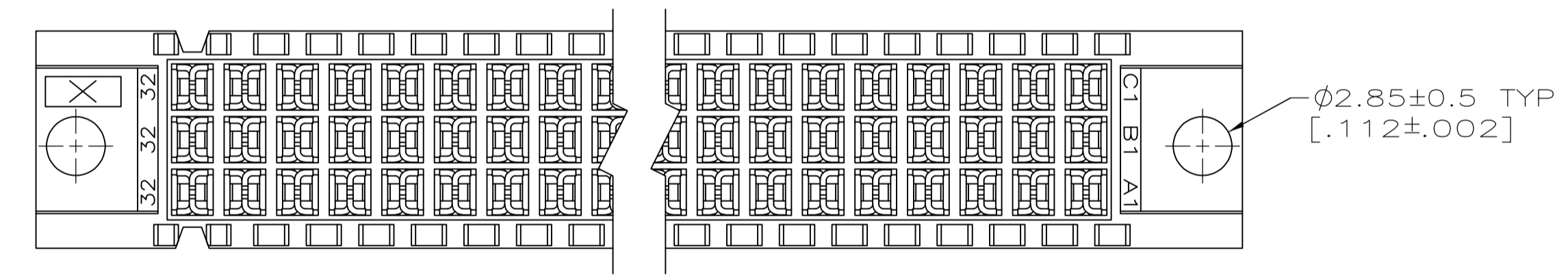
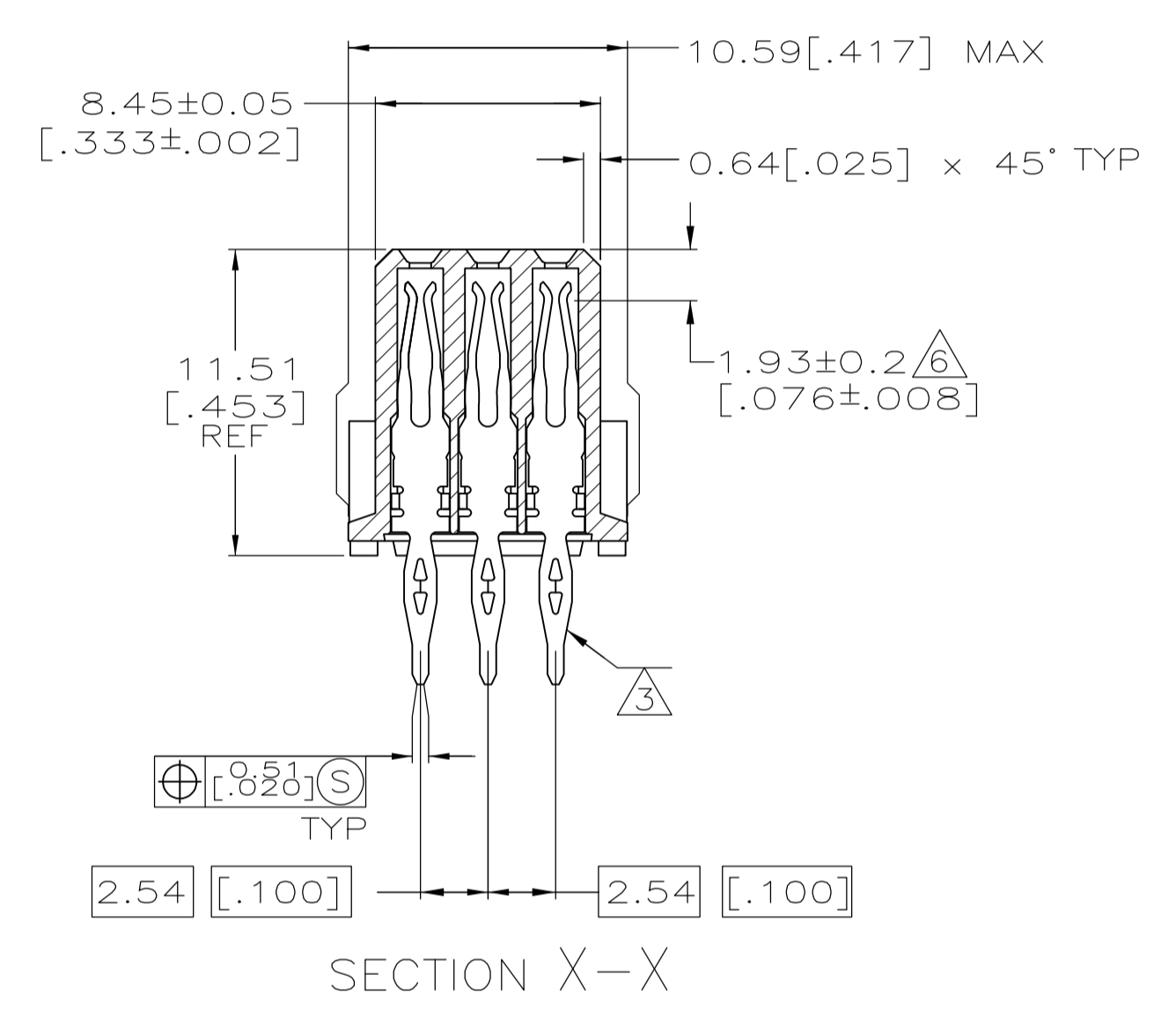
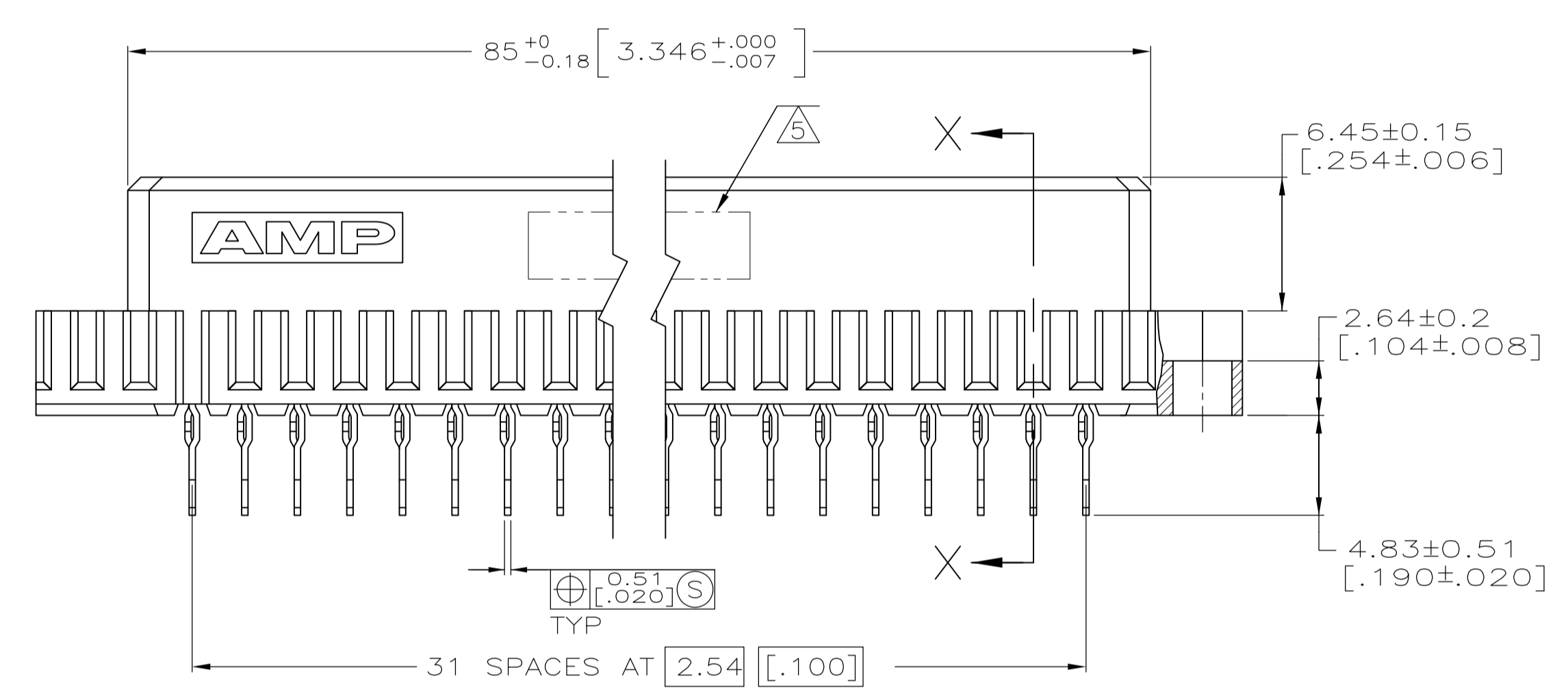
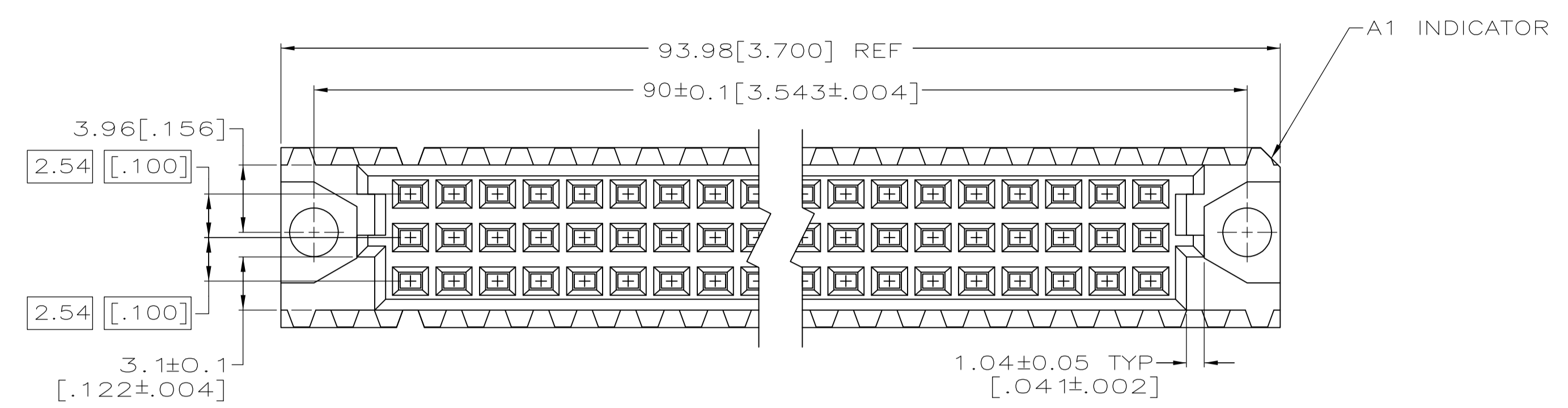


- ① HOUSING MATERIAL: GLASS-FILLED POLYMER. COLOR: GRAY.
- ② CONTACT MATERIAL: COPPER ALLOY.
- ③ CONTACT FINISH: DIN 41612 CLASS 2 IN CONTACT AREA. TIN PLATE ON POSTS.
- ④ CONTACT FINISH: DIN 41612 CLASS 3 IN CONTACT AREA. TIN PLATE ON POSTS.
- ⑤ PART NUMBER, DATE CODE IDENTIFICATION, CSA LOGO IN THIS APPROXIMATE AREA.
- ⑥ POINT OF MEASUREMENT FOR FINISH.
- ⑦ ACTION PIN POSTS REQUIRE 1.57[.062] MINIMUM THICK PC BOARD. RECOMMENDED PC BOARD HOLES ARE $\phi 1.15 \pm 0.2$ [.0453 \pm .001] DRILLED HOLE WITH 0.02-0.07[.001-.003] COPPER AND 0.008[.0003] MINIMUM TIN-LEAD PLATING. FINISHED HOLE AFTER PLATING, $\phi 0.94$ -1.09[.037-.043].
- ⑧ CONTACT AREA FINISH: 0.00076mm [.000030] MIN GOLD OVER 0.00127 [.000050] MIN NICKEL. TAIL FINISH: 0.0025 [.000100] MIN MATTE TIN OVER 0.00127 [.000050] MIN NICKEL.
- ⑨ CONTACT AREA FINISH: 0.00127 [.000050] MIN GOLD OVER 0.00127 [.000050] MIN NICKEL. TAIL FINISH: 0.0025 [.000100] MIN MATTE TIN OVER 0.00127 [.000050] MIN NICKEL.



FINISH	POSITIONS LOADED	C	B	A	NO. OF LOADED POSITIONS	ASSY PART NUMBER
④	1 THRU 32	X	X	X	96	5535032-9
⑧	1 THRU 32	X	X	X	96	5535032-6
⑤	1 THRU 32	X	X	X	96	5535032-5
③	1 THRU 32	X	X	X	96	5535032-4
⑨	1 THRU 32	X	X	X	96	5535032-1

THIS DRAWING IS A CONTROLLED DOCUMENT. DIMENSIONS: mm [INCHES]. TOLERANCES UNLESS OTHERWISE SPECIFIED: 0 PLC \pm - 1 PLC \pm - 2 PLC \pm 0.13[.005] 3 PLC \pm - 4 PLC \pm - ANGLES \pm - MATERIAL $\triangle 1/2$ FINISH $\triangle 3/4$

DIN J. POLIGNONE 25MAY05
CHK A. SHARPE 25MAY05
APVD A. SHARPE 25MAY05
NAME ASSEMBLY, RECEPTACLE, EUROCARD, TYPE C, LEAD-FREE, 96 POSITION, 4.83[.190] TOOLLESS, PRESS-FIT
APPLICATION SPEC
SIZE CAGE CODE DRAWING NO. RESTRICTED TO
WEIGHT A1 00779 C=5535032
CUSTOMER DRAWING SCALE 4:1 SHEET 1 OF 1 REV T

STE TE Connectivity