



### Certifications & Ratings

- IP66
- NEMA 4X
- RoHS Compliant w/6C exemption

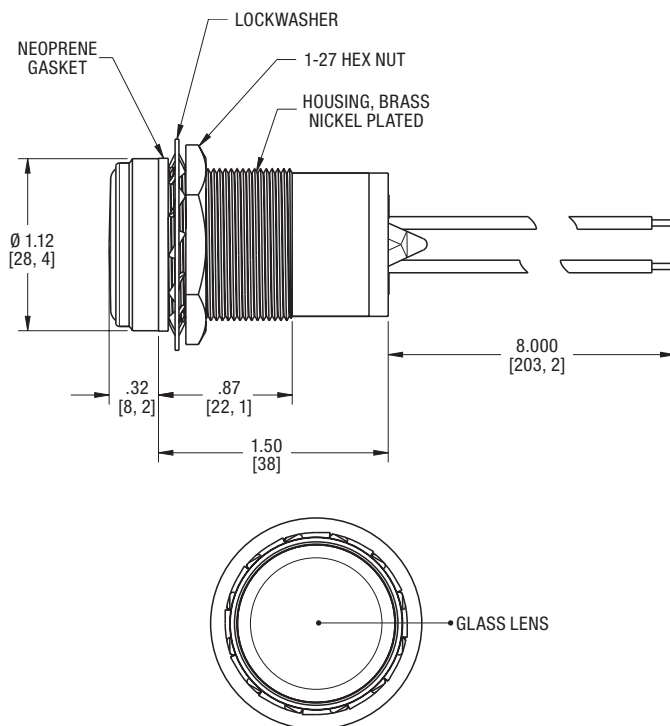
### Application

The 556 Series LED Panel Mount Indicators incorporate both InGaN and AlInGaP technologies to offer maximum light output. This is a highly durable package, designed to withstand outdoor applications susceptible to rain, dust and sunlight:

- Instrument panels
- Safety applications
- Transportation: rail, bus, airline
- Vending, gaming
- Lane control
- Display lighting
- ... and many more!

### Dimensions

inches [mm]



### Mechanical information

**Mounting Hole Size:** 1.0" (25.4 mm)  
**Max Panel Thickness:** Flat: 0.600" (15.24 mm)  
**Mounting Torque:** 40 in-lbs

### Specifications

**Voltage Options:** 24 VDC  
**Operating Temp:** -40 °C to +100 °C (-22 °F to +185 °F)  
**Storage Temp:** -40 °C to +100 °C (-40 °F to +212 °F)  
**Electrical Connection:** 8"-18" AWG wire  
**Housing:** Brass—White  
**Lens Material:** Glass  
**Lock Washer:** Phosphor Bronze — White  
**Nut:** Brass—White

## Ordering Information

### 556 Series — Standard

**Part Number Guide 556 Series** *RoHS Compliant*

5 5 6 - X X B 4 - X 0 4 F

**Lens Style**  
Flat 1

**Color**

- White 0
- Red 5
- Green 6
- Yellow 7
- Blue 8

**Voltage**  
4 24 VDC

**Plating**  
3 White

\*White Nickel only

#### Flat Lens

White Nickel	Color	Voltage	Typ Current (mA)	Typical Intensity (mcd)
556-10B4-304F	○ White	24 VDC	32	61,000
556-15B4-304F	● Red		46	22,000
556-16B4-304F	● Green		32	41,500
556-17B4-304F	● Yellow		46	13,500
556-18B4-304F	● Blue		32	13,000
			46	