



### Certifications & Ratings

- IP66
- NEMA 4X
- RoHS Compliant w/6C exemption

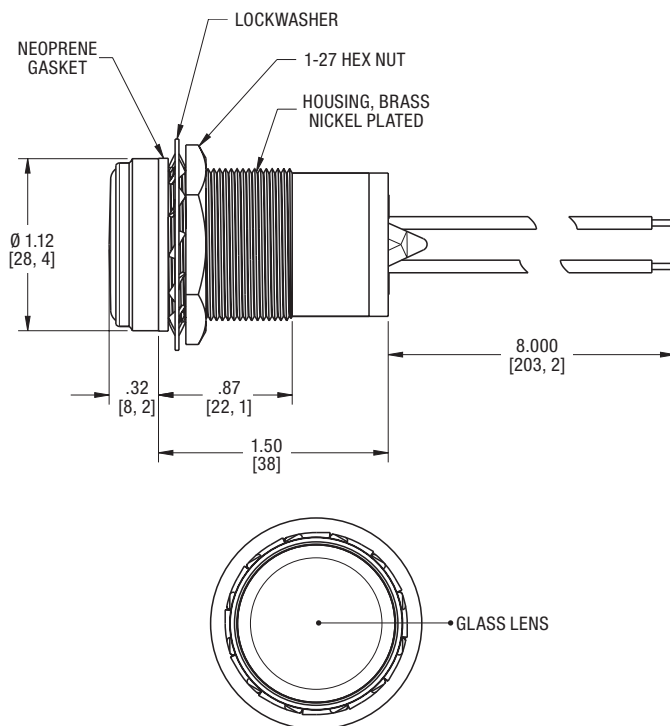
### Application

The 556 Series LED Panel Mount Indicators incorporate both InGaN and AlInGaP technologies to offer maximum light output. This is a highly durable package, designed to withstand outdoor applications susceptible to rain, dust and sunlight:

- Instrument panels
- Safety applications
- Transportation: rail, bus, airline
- Vending, gaming
- Lane control
- Display lighting
- ... and many more!

### Dimensions

inches [mm]



### Mechanical information

<b>Mounting Hole Size:</b>	1.0" (25.4 mm)
<b>Max Panel Thickness:</b>	Flat: 0.600" (15.24 mm)
<b>Mounting Torque:</b>	40 in-lbs

### Specifications

<b>Voltage Options:</b>	24 VDC
<b>Operating Temp:</b>	-40 °C to +100 °C (-22 °F to +185 °F)
<b>Storage Temp:</b>	-40 °C to +100 °C (-40 °F to +212 °F)
<b>Electrical Connection:</b>	8"-18" AWG wire
<b>Housing:</b>	Brass—White
<b>Lens Material:</b>	Glass
<b>Lock Washer:</b>	Phosphor Bronze — White
<b>Nut:</b>	Brass—White

Dialight reserves the right to make changes at any time in order to supply the best product possible. The most current version of this document will always be available at: [www.dialightsignalsandcomponents.com](http://www.dialightsignalsandcomponents.com)

**Warranty Statement:** Except for the warranty expressly provided for at: <https://www.dialight.com/resources/warranties/>, Dialight disclaims any and all other warranties, express or implied, including, without limitation, any warranties of merchantability, fitness for a particular purpose, title, and noninfringement.



## Ordering Information

### 556 Series — Standard

**Part Number Guide 556 Series** RoHS Compliant

5 5 6 - X X B 4 - X 0 4 F

**Lens Style**  
Flat 1

**Color**

- White 0
- Red 5
- Green 6
- Yellow 7
- Blue 8

**Voltage**  
4 24 VDC

**Plating**  
3 White

\*White Nickel only

#### Flat Lens

White Nickel	Color	Voltage	Typ Current (mA)	Typical Intensity (mcd)
556-10B4-304F	○ White	24 VDC	32	61,000
556-15B4-304F	● Red		46	22,000
556-16B4-304F	● Green		32	41,500
556-17B4-304F	● Yellow		46	13,500
556-18B4-304F	● Blue		32	13,000
			46	