



Certifications & Ratings

- IP66
- NEMA 4X
- RoHS Compliant w/6C exemption

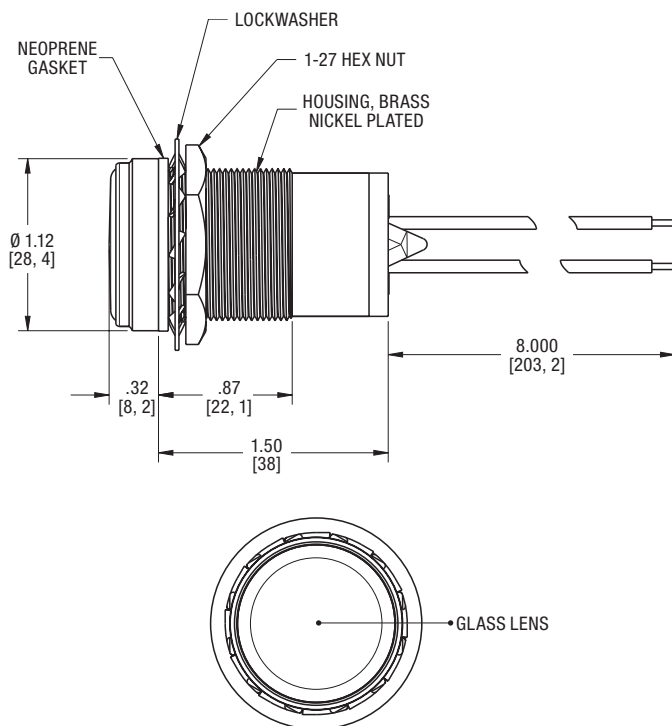
Application

The 556 Series LED Panel Mount Indicators incorporate both InGaN and AlInGaP technologies to offer maximum light output. This is a highly durable package, designed to withstand outdoor applications susceptible to rain, dust and sunlight:

- Instrument panels
- Safety applications
- Transportation: rail, bus, airline
- Vending, gaming
- Lane control
- Display lighting
- ... and many more!

Dimensions

inches [mm]



Mechanical information

Mounting Hole Size:	1.0" (25.4 mm)
Max Panel Thickness:	Flat: 0.600" (15.24 mm)
Mounting Torque:	40 in-lbs

Specifications

Voltage Options:	24 VDC
Operating Temp:	-40 °C to +100 °C (-22 °F to +185 °F)
Storage Temp:	-40 °C to +100 °C (-40 °F to +212 °F)
Electrical Connection:	8"-18" AWG wire
Housing:	Brass—White
Lens Material:	Glass
Lock Washer:	Phosphor Bronze — White
Nut:	Brass—White

Ordering Information

556 Series — Standard

Part Number Guide 556 Series RoHS Compliant

5 5 6 - X X B 4 - X 0 4 F

Lens Style
Flat 1

Color

- White 0
- Red 5
- Green 6
- Yellow 7
- Blue 8

Voltage
4 24 VDC

Plating
3 White

*White Nickel only

Flat Lens

White Nickel	Color	Voltage	Typ Current (mA)	Typical Intensity (mcd)
556-10B4-304F	○ White	24 VDC	32	61,000
556-15B4-304F	● Red		46	22,000
556-16B4-304F	● Green		32	41,500
556-17B4-304F	● Yellow		46	13,500
556-18B4-304F	● Blue		32	13,000
			46	