



Certifications & Ratings

- UL 1598 (E156890)
- IP66
- NEMA 4X
- RoHS Compliant w/6C exemption
- IK07

Application

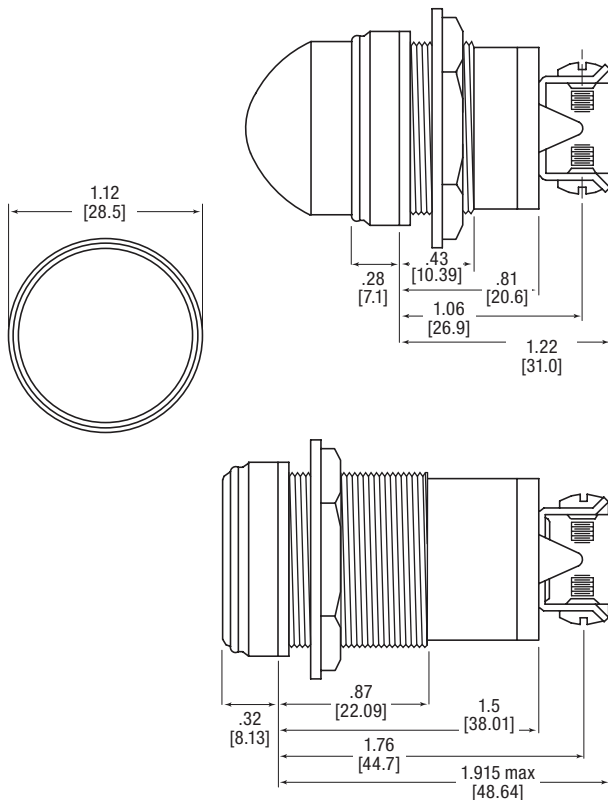
The 556 Series LED Panel Mount Indicators incorporate both InGaN and AlInGaP technologies to offer maximum light output. This is a highly durable package, designed to withstand outdoor applications susceptible to rain, dust and sunlight:

- Instrument panels
- Safety applications
- Transportation: rail, bus, airline
- Vending, gaming
- Lane control
- Display lighting

... and many more!

Dimensions

inches [mm]



Mechanical information

Mounting Hole Size:	1.0" (25.4 mm)
Max Panel Thickness:	Flat: 0.600" (15.24 mm) Dome: 0.187" (4.27 mm)
Mounting Torque:	40 in-lbs

Specifications

Voltage Options:	12 to 125 VDC, and 125, 230 VAC (no resistor required)
Operating Temp:	-30 °C to +85 °C (-22 °F to +185 °F)
Storage Temp:	-40 °C to +100 °C (-40 °F to +212 °F)
Electrical Connection:	6-32 screw terminals
Housing:	Brass—White or Black Nickel Plated
Terminals:	Brass — Hot solder dip per Mil-F-14072D, M258, Type II
Lens Material:	Transparent Polycarbonate (UL 94V-0)
Lock Washer:	Phosphor Bronze — White or Black Nickel Plated
Nut:	Brass—White or Black Nickel Plated

Ordering Information
556 Series — Standard, Flat Lens

Part Number Guide 556 Series

RoHS Compliant

5	5	6	-	X	X	X	X	-	X	0	4	F
Lens Style							Voltage					
Flat	1	Color										
Domed	3	○ White	0	0			3	12VDC				
		● Red	5	0			4	24VDC				
		● Green	6	0			8	37.5VDC	Plating			
		● Cyan	6	8			6	72VDC	2 Black			
		● Yellow	7	0			7	125VDC*	3 White			
		● Blue	8	0			5	125VAC*				
		● Orange	9	0			9	230VDC*				
								<i>*white nickel only</i>				

Flat Lens

White Nickel	Black Nickel	Color	Voltage	Typ Current (mA)	Typical Intensity (mcd)
556-1003-304F	556-1003-204F	○ White	12 VDC	60	61,000
556-1503-304F	556-1503-204F	● Red		95	22,000
556-1603-304F	556-1603-204F	● Green		60	41,500
556-1683-304F	556-1683-204F	● Cyan		60	37,000
556-1703-304F	556-1703-204F	● Yellow		95	13,500
556-1803-304F	556-1803-204F	● Blue		60	13,000
556-1903-304F	556-1903-204F	● Orange		95	11,500
556-1004-304F	556-1004-204F	○ White	24 VDC	32	61,000
556-1504-304F	556-1504-204F	● Red		46	22,000
556-1604-304F	556-1604-204F	● Green		32	41,500
556-1684-304F	556-1684-204F	● Cyan		32	37,000
556-1704-304F	556-1704-204F	● Yellow		46	13,500
556-1804-304F	556-1804-204F	● Blue		32	13,000
556-1904-304F	556-1904-204F	● Orange	46	11,500	
556-1508-304F	556-1508-204F	● Red	37.5 VDC	20	14,000
556-1608-304F	556-1608-204F	● Green		16	54,000
556-1708-304F	556-1708-204F	● Yellow		20	12,750
556-1506-304F	556-1506-204F	● Red	72 VDC	18.5	15,000
556-1606-304F	556-1606-204F	● Green		16	45,500
556-1706-304F	556-1706-204F	● Yellow		20	9,000
556-1806-304F	556-1806-204F	● Blue	18.5	15,000	
556-1007-304F	—	○ White	125 VDC	10.5	36,000
556-1507-304F	—	● Red			8,000
556-1607-304F	—	● Green		10	27,000
556-1707-304F	—	● Yellow		5,750	
556-1005-304F	—	○ White	125 VAC	11	35,000
556-1505-304F	—	● Red		10.5	8,000
556-1605-304F	—	● Green		9.5	29,000
556-1685-304F	—	● Cyan		9.5	24,750
556-1705-304F	—	● Yellow		10.5	5,750
556-1805-304F	—	● Blue		9.5	7,750
556-1905-304F	—	● Orange	10.5	6,000	
556-1009-304F	—	○ White	230 VAC	6	35,000
556-1509-304F	—	● Red			8,000
556-1609-304F	—	● Green			29,000
556-1709-304F	—	● Yellow		7	5,750
556-1809-304F	—	● Blue			7,750
556-1909-304F	—	● Orange		6,000	

