



Certifications & Ratings

- RoHS Compliant
- Watertight to Mil-L-3661B spec

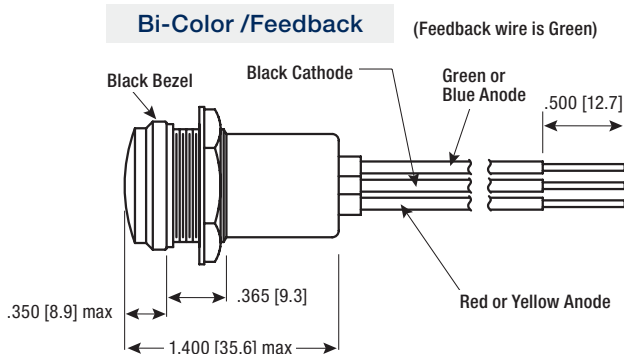
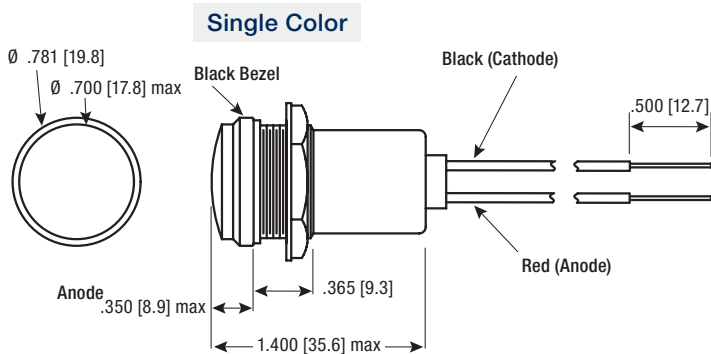
Application

The 557 Series LED Panel Mount Indicators incorporate both InGaN and AlInGaP technologies to offer higher intensities. This is a highly durable package, designed to withstand outdoor applications susceptible to rain, dust, and sunlight.

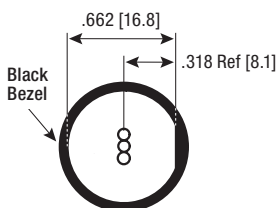
- Instrument panels
- Safety applications
- Transportation—rail, bus, airline
- Vending, gaming
- Lane control
- ... and many more!

Dimensions

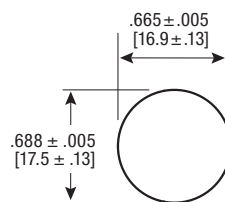
inches [mm]



Back View of Housing



Recommended Mounting Hole



Mechanical information

Mounting Hole Size: 0.687" (17.46 mm)

Max Panel Thickness: 0.156" (3.96 mm)

Mounting Torque: 15 in-lbs torque

Specifications

Voltage Options: 5, 12, 24, and 28VDC (bi-color: 5VDC)

Operating Temp: -25 °C to +85 °C
(bi-color: -30 °C to +80 °C)

Storage Temp: -30 °C to +100 °C
(bi-color: -40 °C to +85 °C)

Electrical Connection: 24 AWG Wire Leads

Housing: White Polycarbonate

Lens Material: Transparent Polycarbonate (UL 94V-0)

Wire Leads: 5.5"

Lock Washer: Phosphor Bronze—White Nickel Plated

Nut: Brass—White Nickel Plated

Ordering Information 557 Series

Part Number Guide				RoHS Compliant							
5	5	7	-	X	X	X	-	2	0	3	F
Color						Voltage					
○ White	0	0						2	5	vdc	
● Red	5	0						3	12	vdc*	
● Green	6	0						4	28	vdc*	
● Yellow	7	0						5	24	vdc*	
● Blue	8	0									
● Red / Green	4	1									
● Red / Blue	4	2									
● Yellow / Green	4	3									
● Yellow / Blue	4	4									
● Yellow / Red	4	5									

**single color only*

Feedback Circuit Part Number Guide				RoHS Compliant							
5	5	7	-	X	X	X	-	2	0	3	F
Color						Voltage					
● Green	6	9						3	12	vdc	

Feedback Circuit shows the status of the LED

LED Status	Signal Voltage
Normal	0-1
Open	10-12
Short	10-12

Part Number	Color	Voltage (VDC)	Current (mA)	Typical Intensity (mcd)	
557-1002-203F	○ White	5	16	5350	
557-1502-203F	● Red		80	800	
557-1602-203F	● Green		16	4900	
557-1702-203F	● Yellow		80	1550	
557-1802-203F	● Blue		16	1200	
557-1412-203F	● Red / Green		70 / 16	720 / 1800	
557-1422-203F	● Red / Blue		70 / 16	625 / 425	
557-1432-203F	● Yellow / Green		70 / 16	585 / 1700	
557-1442-203F	● Yellow / Blue		70 / 16	635 / 445	
557-1452-203F	● Yellow / Red		70 / 20	650 / 350	
557-1003-203F	○ White		12	16	5350
557-1503-203F	● Red			20	800
557-1603-203F	● Green			16	4900
557-1693-203F	● Green			16	4900
557-1703-203F	● Yellow	20		1550	
557-1803-203F	● Blue	16		1200	
557-1005-203F	○ White	24		16	5350
557-1505-203F	● Red		20	800	
557-1605-203F	● Green		16	4900	
557-1705-203F	● Yellow		20	1550	
557-1805-203F	● Blue		16	1200	
557-1604-203F	● Green		28	16	4900
557-1704-203F	● Yellow			20	1550
557-1804-203F	● Blue			16	1200