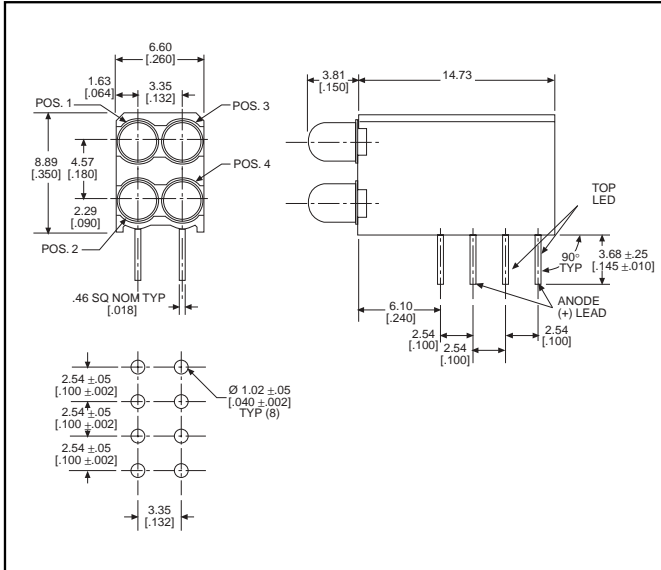


3mm LED CBI® Circuit Board Indicator High Density Dual Bi-Level

Dialight

569-010x-xxx



PART NO.	COLOR*
569-0101-111	Red
569-0102-222	Green
569-0103-333	Yellow
569-0107-777	Orange
569-0108-888	Blue ³



* LED 1, LED 2, LED 3, LED 4

Features

- Multiple CBIs form horizontal LED arrays on 3.35mm (0.132") center-lines
- High Contrast, UL 94 V-0 rated, black housing
- Oxygen index: 32%
- Polymer content: PBT, 0.860 g
- Housing stand-offs facilitate PCB cleaning
- Solderability per MIL-STD-202F, method 208F
- LEDs are safe for direct viewing per IEC 825-1, EN-60825-1
- Compatible with:
 - 569-011x-x00 Narrow Bi-Level

Custom Combinations

- Contact factory for information on custom color combinations

Tolerance note: As noted, otherwise:

- LED Protrusion: ±0.04 mm [±0.016]
- CBI Housing: ±0.02mm[±0.008]

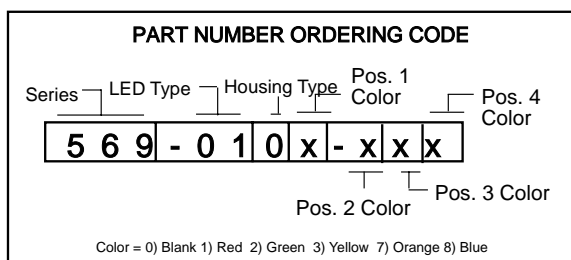
4

Typical Operating Characteristics (T_A=25°C)

See LED data sheet for additional information
See page 4-70 and 4-71 for Reference Only LED Drive Circuit Examples. See page 4-72 for Pin Out

Part Number	Color	Peak Wavelength nm	I _v mcd	V _F Volts	Test Current (mA)	Viewing Angle 2θ%	LED Data sheet	Page #
569-0101-111	Red	635	10	2*	10	60°	521-9216	4-58
569-0102-222	Green	565	12.6	2.1*	10	60°	521-9210	4-58
569-0103-333	Yellow	585	10	2.1*	10	60°	521-9211	4-58
569-0107-777	Orange	600	7	2.2	10	60°	521-9498	4-58
569-0108-888	Blue	428	12	3.5	10	70°	521-9831	4-57

* I_F=20mA



ATTENTION
OBSERVE PRECAUTIONS
FOR HANDLING
ELECTROSTATIC
SENSITIVE
DEVICES



3mm Discrete LED Tinted, Diffused

Dialight

521-9831



PART NO. 521-9831
COLOR Blue³

MOUNTING CLIP: 515-0006
located on page 4-65



3

ATTENTION
OBSERVE PRECAUTIONS
FOR HANDLING
ELECTROSTATIC
SENSITIVE
DEVICES

4

ABSOLUTE MAXIMUM RATINGS (T_A=25°C)

Blue
-9831

Power Dissipation (mW)	100
Forward Current (mA)	20
Derating (mA/°C) From 55°C	.44
Operating Temperature (°C)	-40/+100
Storage Temperature (°C)	-40/+100
Soldering Temperature	260°C, 5 seconds, 1.6 mm from case

Solder Adherence per MIL-STD-202E, Method 208C

OPERATING CHARACTERISTICS (T_A=25°C)

Blue
-9831

Luminous Intensity (mcd)	Min.	6.3
I _F =10mA	Typical	12
Peak Wavelength (nm)	Typical	428
λ Peak		
Viewing Angle (2Θ _{1/2})	Typical	70°
Forward Voltage (V)	Typical	3.5
I _F =10mA	Max.	4.2
Reverse Voltage (V) IR=10μA	Min.	3

Θ_{1/2} is the off axis angle at which the luminous intensity is half the axial luminous intensity