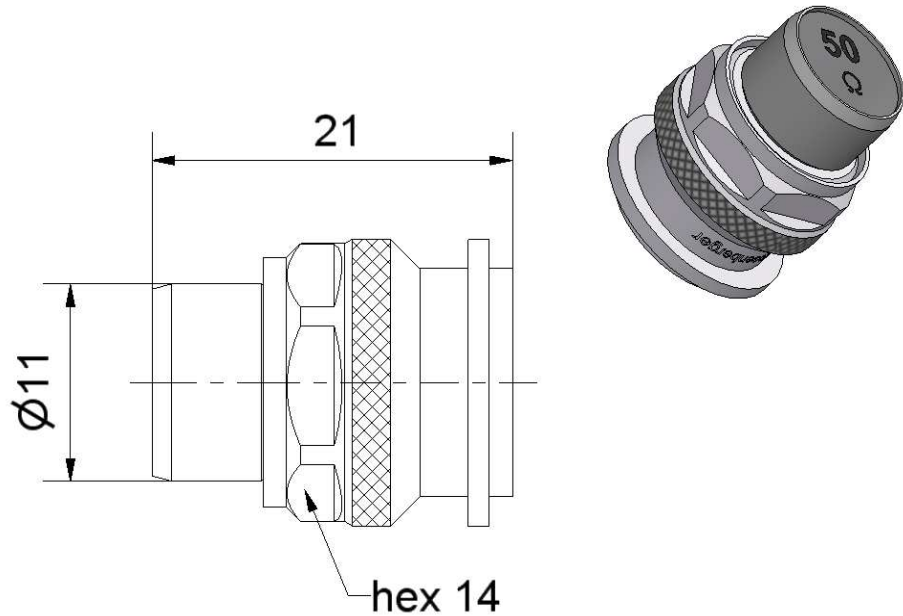


TNC 50 Ω

Termination
Plug 1 Watt

56S1RR-001N4



All dimensions are in mm; tolerances according to ISO 2768 m-H

Interface

According to IEC 60169-17, MIL-PRF-39012, DIN EN 122200

Documents

N/A

Material and plating

Connector parts

- Center contact
- Outer contact
- Coupling nut
- Dielectric
- Substrate

Material

- Brass
- Brass
- Brass
- PTFE
- Al₂O₃

Plating

- Gold, min. 0.8 μm, over nickel
- Flash white bronze over silver(e.g. Optargen®)
- White bronze(e.g. Optalloy®)

Technical Data Sheet

Rosenberger

TNC 50 Ω

Termination
Plug 1 Watt

56S1RR-001N4

Electrical data

Impedance	50 Ω
Frequency	DC to 2 GHz
Return loss	≥ 20.8 dB, DC to 1 GHz ≥ 15.6 dB, 1 GHz to 2 GHz
Power handling (at 25 °C, sea level)	≤ 1 W, derated linearity by 0.01 W/K

Mechanical data

Mating cycles	≥ 500
Center contact captivation	≥ 27 N
Coupling test torque	≤ 1.7 Nm
Recommended torque	0.46 Nm to 0.69 Nm

Environmental data

Temperature range	-55 °C to +155 °C
RoHS	compliant

Tooling

N/A

Suitable cables

N/A

Packing

Standard	100 pcs in bag
Weight	13.5 g/pce

While the information has been carefully compiled to the best of our knowledge, nothing is intended as representation or warranty on our part and no statement herein shall be construed as recommendation to infringe existing patents. In the effort to improve our products, we reserve the right to make changes judged to be necessary.

Draft	Date	Approved	Date	Rev.	Engineering change number	Name	Date
Kerstin Herzog	24.08.04	Markus Müller	20.07.18	b00	18-1027	Marion Striegler	20.07.18
Rosenberger Hochfrequenztechnik GmbH & Co. KG P.O.Box 1260 D-84526 Tittmoning Germany www.rosenberger.de				Tel. : +49 8684 18-0 Email : info@rosenberger.de			Page 2 / 2