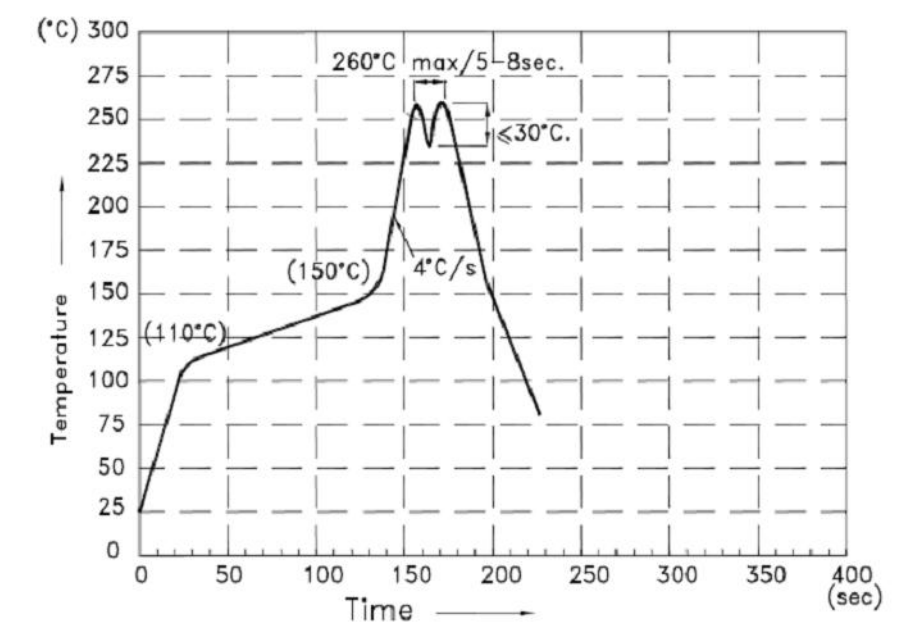
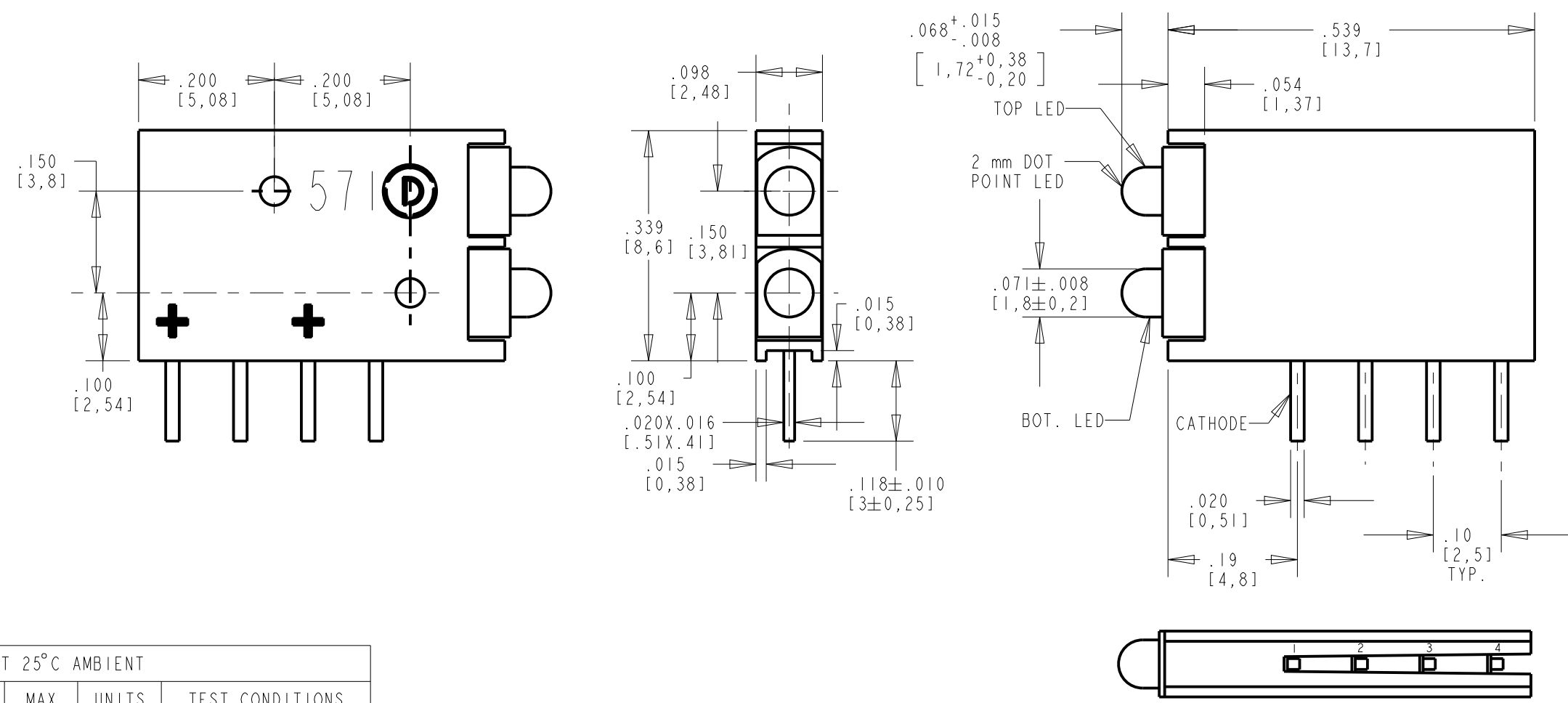


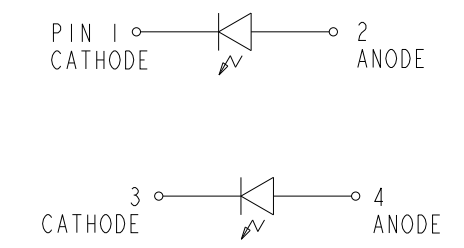
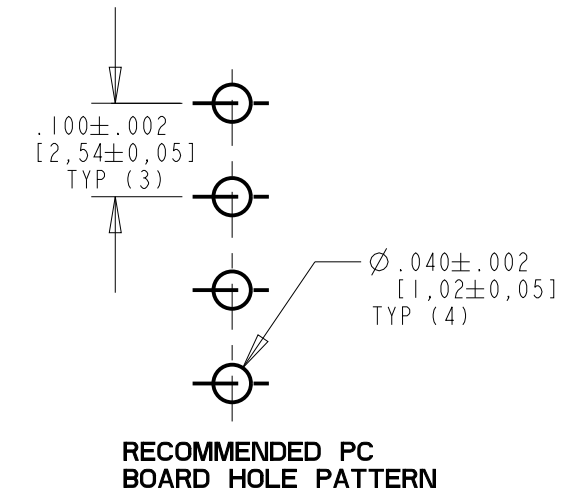
ASSY. NO.	LED COLOR (DIFFUSED)	
	TOP POSITION	BOTTOM POSITION
571-0101F	BLANK	RED
571-0102F	BLANK	GREEN
571-0103F	BLANK	YELLOW
571-0110F	RED	BLANK
571-0111F	RED	RED
571-0112F	RED	GREEN
571-0113F	RED	YELLOW
571-0120F	GREEN	BLANK
571-0121F	GREEN	RED
571-0122F	GREEN	GREEN
571-0123F	GREEN	YELLOW
571-0130F	YELLOW	BLANK
571-0131F	YELLOW	RED
571-0132F	YELLOW	GREEN
571-0133F	YELLOW	YELLOW

RoHS Compliant 571-01XXF  
 Part Numbers with the "F" suffix ending are RoHS Compliant.  
 Example: 571-0112F  
 Packaging is marked with "RoHS Compliant" label or equivalent markings.  
 Parts can be wave soldered, dip soldered or hand soldered using typical lead-free soldering process with max 260°C temp. for 5 sec.

REV	ECN NO	REVISIONS	DRN	CKD	APP	DATE
A		NEW RELEASE	CE	AE	NO	1-24-08
B		ADDED WAVE SOLDERING PROFILE & NOTES 5,6,7,8,9	AJF	KLJ	NO	9-21-11

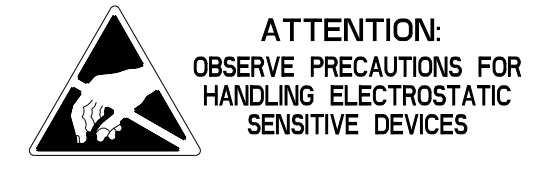


OPERATING CHARACTERISTICS AT 25°C AMBIENT						
CHARACTERISTICS	COLOR	MIN	TYP	MAX	UNITS	TEST CONDITIONS
LUMINOUS INTENSITY	RED	8	15		mcd	I <sub>F</sub> = 10 mA
	YELLOW	5	8			
	GREEN	5	10			
FORWARD VOLTAGE	RED		2.0	2.5	V	I <sub>F</sub> = 20 mA
	YELLOW		2.1	2.5		
	GREEN		2.2	2.5		
DOMINANT WAVELENGTH	RED		625		nm	
	YELLOW		588			
	GREEN		568			
PEAK EMISSION WAVELENGTH	RED		627		nm	
	YELLOW		590			
	GREEN		565			
VIEWING ANGLE 2θ1/2	RED		70		Degree	
	YELLOW		70			
	GREEN		70			
CAPACITANCE	RED		15		pF	V <sub>F</sub> = 0 V, f = 1 MHz
	YELLOW		20			
	GREEN		15			



ABSOLUTE MAXIMUM RATING AT 25°C AMBIENT				
POWER DISSIPATION	105	105	105	mW
FORWARD CURRENT	30	30	25	mA
DERATING LINEAR FROM 25 °C	.40		.33	mA/°C
REVERSE VOLTAGE	5			V
LEAD SOLDERING TEMPERATURE, 5 SEC., 1/16" FROM BODY	260			°C
OPERATING TEMPERATURE	-40 TO +85			°C
STORAGE TEMPERATURE	-40 TO +85			°C

- NOTES:
- LED LEAD DIMENSIONS ARE MEASURED AT HOUSING EXIT.
  - PIN NUMBERS FOR REFERENCE ONLY, DESIGNATION NON-EXISTENT ON PARTS
  - DIALIGHT PART NUMBERS: 571-01XXF
  - THIS ASSEMBLY CONTAINS ELECTROSTATIC DISCHARGE SENSITIVE DEVICES (ESDS). MAINTAIN ALL PRECAUTIONARY MEASURES DURING ASSEMBLY, HANDLING AND STORAGE IN ACCORDANCE WITH IPC-A-610.
  - RECOMMENDED WAVE SOLDERING TEMPERATURE: 245°C-260°C.
  - DO NOT APPLY STRESS TO THE EPOXY RESIN WHEN TEMPERATURE IS ABOVE 85°C.
  - SOLDERING PROFILE APPLIES TO LEAD FREE SOLDERING PROCESS (Sn/Cu/Ag ALLOY).
  - DURING WAVE SOLDERING, THE PCB TOP SURFACE SHOULD BE KEPT BELOW 105°C.
  - DO NOT SOLDER MORE THAN ONCE.



THIS DRAWING AND THE CONTENTS HEREIN ARE CONFIDENTIAL AND THE SOLE PROPERTY OF DIALIGHT. REPRODUCTION OF THIS DRAWING OR CONSTRUCTION OF ANY PARTS WITHIN THIS DRAWING ARE FORBIDDEN WITHOUT THE WRITTEN CONSENT OF DIALIGHT.		
SCALE: DRAWING SCALE	DRAWING NUMBER	REV
ALL DIM'S IN: INCHES (MM)	C-17454	B
TOLERANCES: UNLESS OTHERWISE SPECIFIED	TITLE 2mm LED BI-LEVEL CBI	
FRACTIONS: ±1/64	RoHS COMPLIANT	
DECIMALS (.XX): ±.01	MATERIAL	
DECIMALS (.XXX): ±.005	FINISH:	
DECIMALS (.XXXX): ±.0005	Dialight	
ANGLES: ±1°	1501 ROUTE 34 SOUTH	
	FARMINGDALE, NJ 07727	
FSCM 83330	SHEET 1 OF 1	FAMILY TABLE: