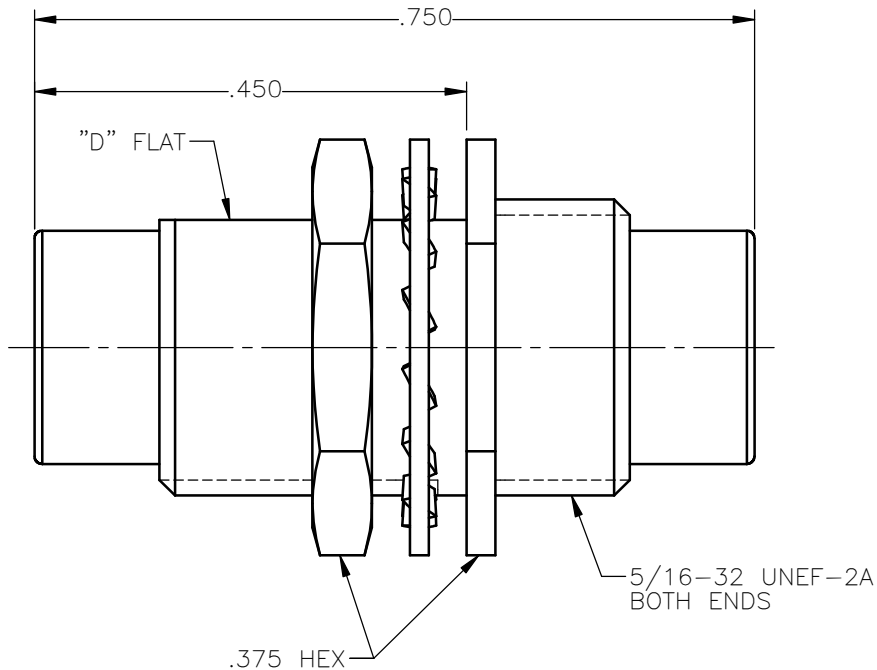
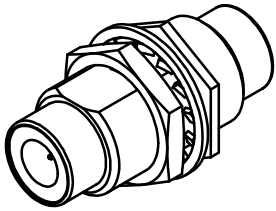
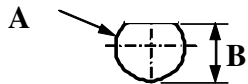


REVISIONS			
REV.	DESCRIPTION	DATE	APPROVED
A	INITIAL RELEASE	07/05/16	D.N.



PANEL CUT OUT



	inch	
	Maxi	mini
A	.333	.327
B	.300	.294



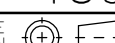
NOTES:

MATERIALS:

1. INSULATOR = VIRGIN WHITE TEFLON PER ASTM D1710, GRADE 1, TYPE I, CLASS "B".
2. LOCKWASHER = PHOSPHOR BRONZE, COPPER ALLOY C52180.
3. ALL OTHER METAL PARTS = BRASS PER ASTM B16, ALLOY C36000, TEMPER H02.

FINISHES:

1. CONTACT = GOLD PLATE PER ASTM B488-11, TYPE II, 50µin MIN, GRADE C, OVER 100 TO 200µin STRESS FREE SULFAMATE NICKEL PER AMS-QQ-N-290.
2. ALL OTHER METAL PARTS = GOLD PLATE PER ASTM B488-11, TYPE II, 30µin MIN, GRADE C OVER 100 TO 200µin COPPER STRIKE PER AMS 2418.

UNLESS OTHERWISE SPECIFIED DIMENSIONS ARE IN INCHES TOLERANCES ON	DWN:	DATE		Property of Radiall			
	D.N.	07/05/16		This document cannot be reproduced or communicated to a third party without prior written permission of RADIALL.			
DECIMAL	ANGLE	CHKD:	DATE	75ohm STRAIGHT MALE SCREW-ON BULKHEAD MOUNTED JACK TO JACK ADAPTER			
		N.D.	07/05/16				
		APVD:	DATE	SIZE	FSCM NO.	DWG NO.	REV
		J.M.	07/05/16	A	19505	5722-1501-000	A
REFERENCE:	MATERIALS & FINISHES:		SCALE		THIRD ANGLE PROJECTION		SHEET 1 OF 1
ORIGINATED: D.N. DATE: 07/05/16	SEE NOTES		5:1				

5722-1501-000