

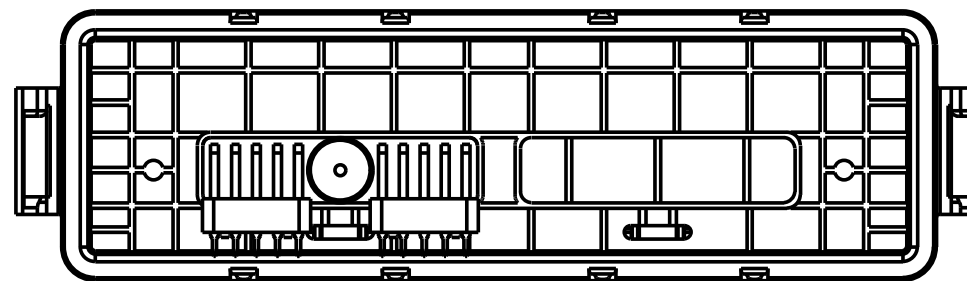
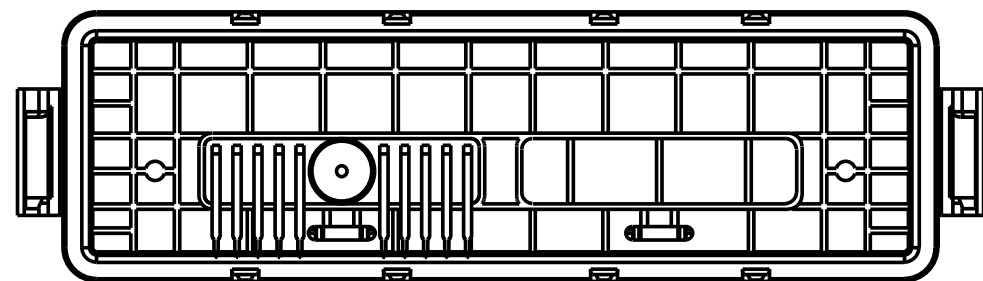
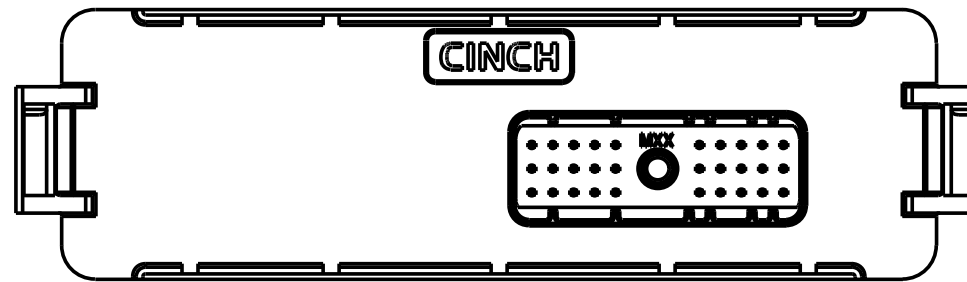
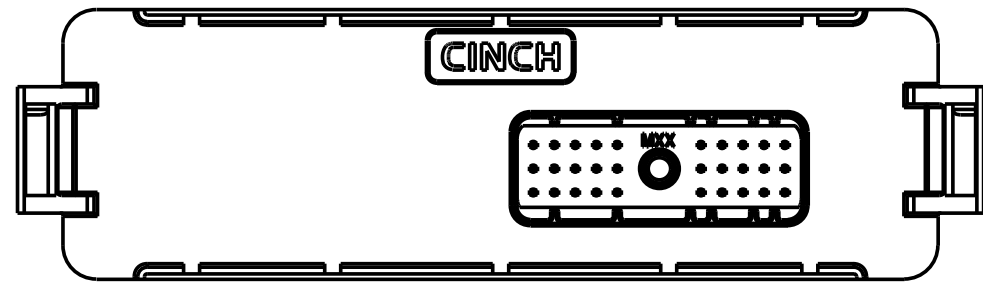
# CINCH PART NUMBER MATRIX

P/N: 581 01 30 045

P/N: 581 01 30 051

30-WAY HEADER ASSEMBLY WITH OUT FERRITE FILTERS

30-WAY HEADER ASSEMBLY WITH FERRITE FILTERS



MATES WITH CINCH HARNESS CONNECTORS P/N:  
581 01 30 029 (30-WAY)

**NOTE:**

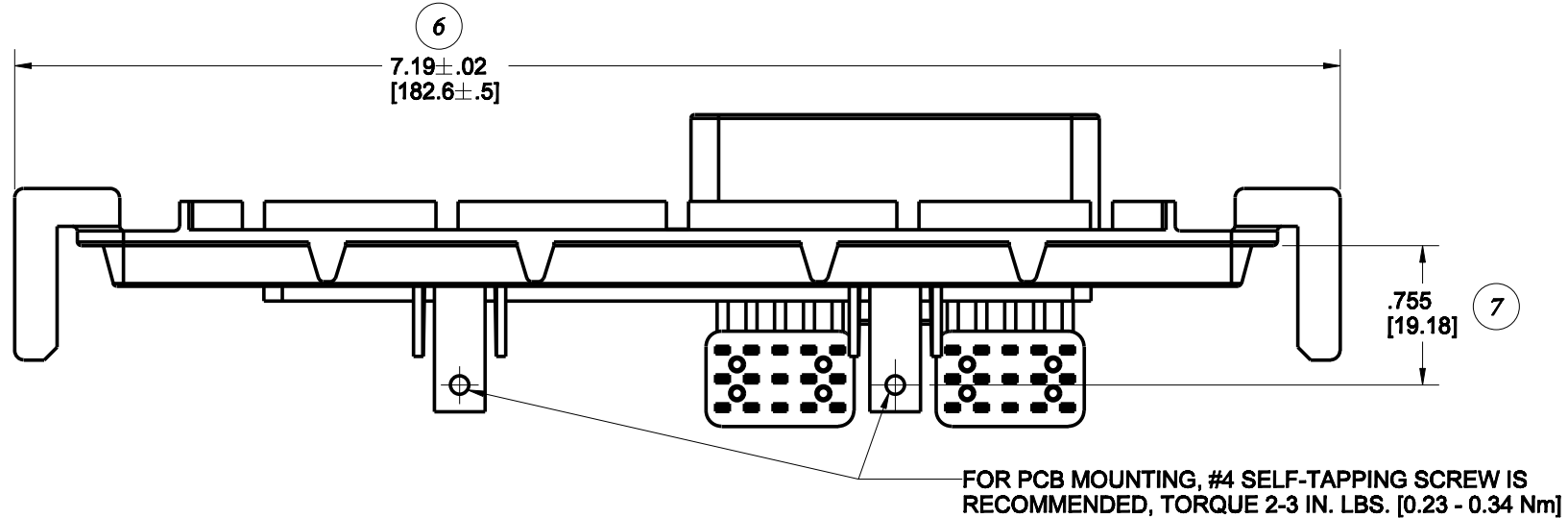
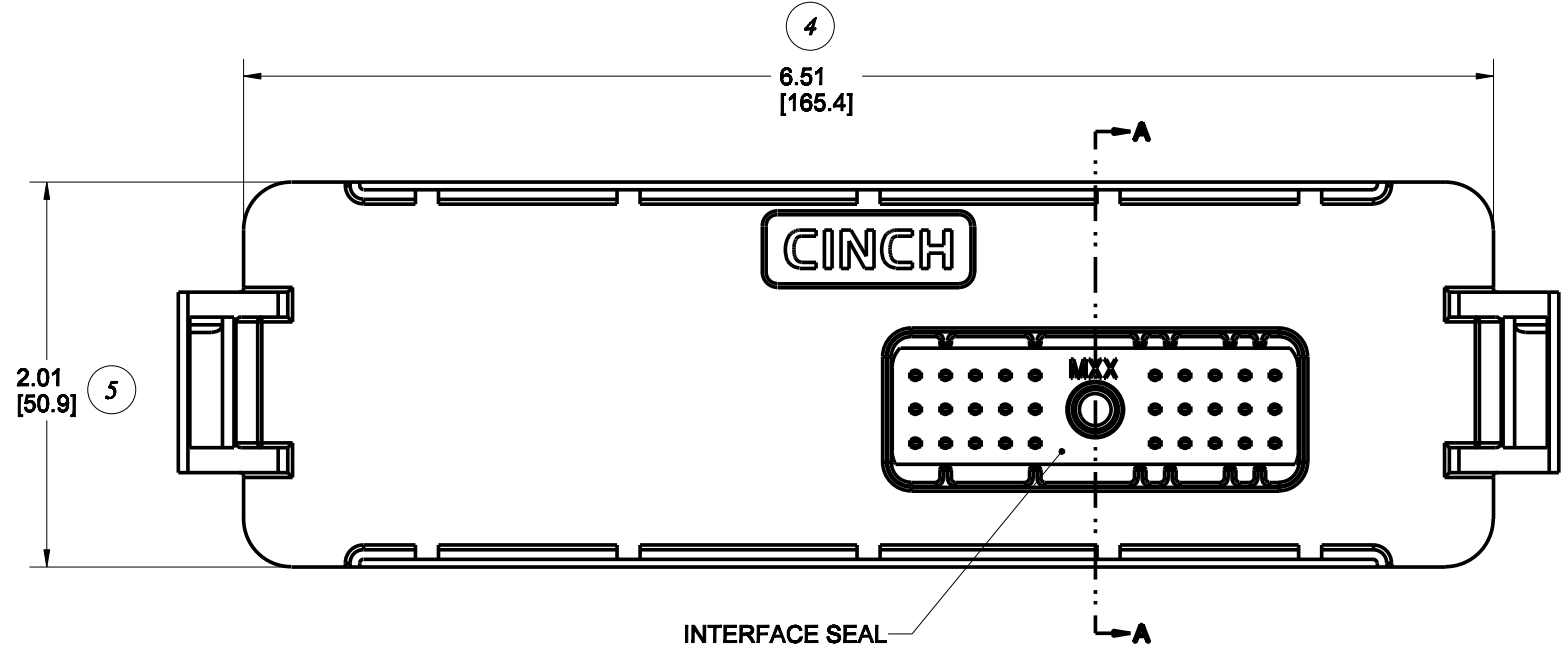
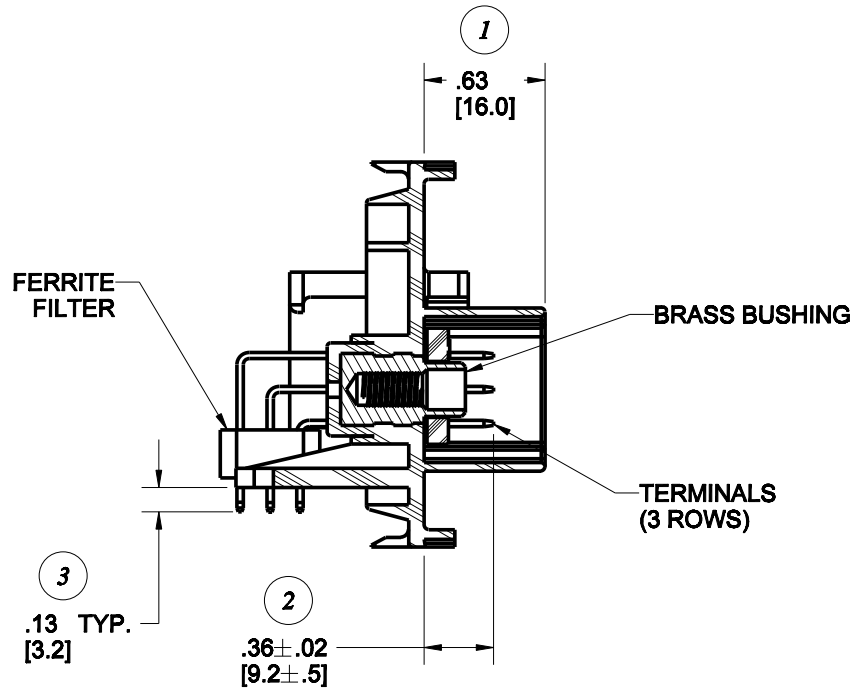
1. ALL DIMENSIONS ARE IN INCHES;  
DIMENSIONS INSIDE [.XX] ARE IN mm, AS REF. ONLY.
2. MATERIALS:  
INTERFACE SEAL: SILICONE RUBBER, COLOR BLUE;  
INSULATOR: 30 % GLASS FILLED POLYMER, COLOR BLACK;  
BUSHING: BRASS ALLOY, UNPLATED 10-24 UNC THREAD;  
TERMINAL BLADE: 1.5 mm BRASS WITH TIN OVER NICKEL PLATING;  
FILTERS: FERRITE BLOCKS.
3. ALL HEADERS ARE REFLOW OR WAVE SOLDERING PROCESS, ROHS COMPLIANT.
4. MATES WITH CINCH SHS PUSH-TO-SEAT HARNESS CONNECTORS (SEE TABLE ABOVE).
5. THERMALLY CONDUCTIVE ADHESIVE PASTE SOLD SEPARATELY: RECOMMENDED IS LOCTITE 383.
6. MOSFET SPRING PLATES ARE SOLD SEPARATELY (FOR INSTALLATION REFER TO ENCLOSURE ASSEMBLY INSTRUCTIONS)  
SPRING LABELED AS "L" IS CINCH P/N: 581 00 00 020 AND SPRING LABELED AS "R" IS CINCH P/N: 581 00 00 021.  
(IT IS RECOMMENDED THAT THE 4 SLOTS BE PROTECTED DURING CONFORMAL COATING)
7. STANDARD PACKAGE SIZE: 36 PARTS/CARTON BOX.

**DRAWING REVISIONS**

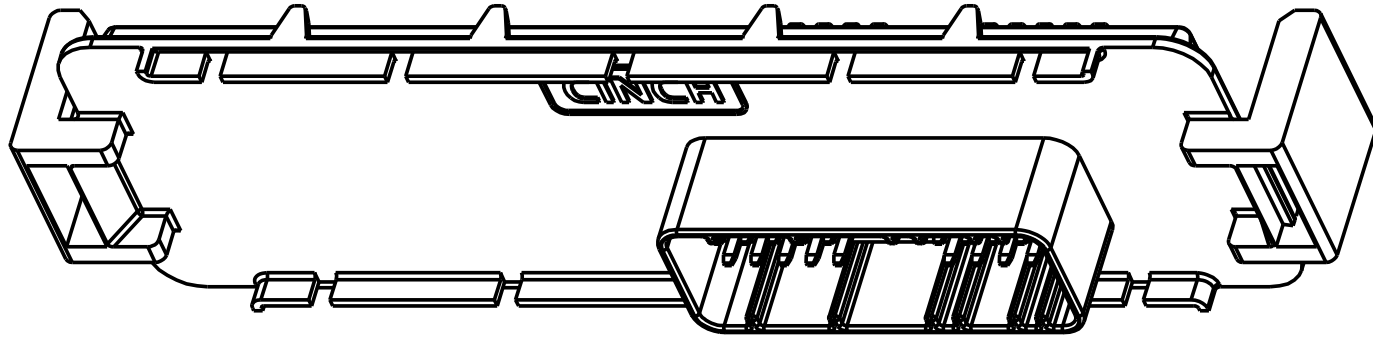
REV	DOCUMENT	APP	DATE
A	D.O. 05-1217 REL. FOR PRODUCTION	A.C.	9/9/05
B	ECN: 06A069 ADDED SHEET 5 ADDED SHEET 6 MODIFIED SHEET 3 MODIFIED SHEET 4	A.C.	3/24/06
C	ECN: 06A479 REFORMATTED DRAWING PCB LAYOUTS REDRAWN WITH ADDITIONAL KEEP OUT AREAS	A.C.	1/22/07

**RoHS COMPLIANT**

UNITS	ENGLISH	PRO/E	MODELED BY:
DO NOT SCALE DRAWING		DATE	
UNLESS OTHERWISE SPECIFIED: ALL DIMENSIONS ARE IN INCHES	DRAWN BY <b>B. KOSTIC</b>	9/02/05	1700 FINLEY RD LOMBARD, IL. 60148
FILLET/RADII .02 MAX	DESIGN ENGINEER <b>B. KOSTIC</b>	9/02/05	TITLE <b>30-WAY HEADERS LE MODICE</b>
TOLERANCES AND LIMITS APPLY OVER ADDITIVE FINISH	DESIGN ENGINEERING MGR. <b>A. CAINES</b>	9/5/05	MATERIAL
X ± .1 XX ± .01 XXX ± .005 ANGULAR ± .5°	MFG. ENGINEERING <b>R. GARZA</b>	9/15/05	MATERIAL SPEC NUMBER
THIS DOCUMENT IS THE PROPERTY OF CINCH. NEITHER THIS DOCUMENT NOR ANY OF THE INFORMATION CONTAINED IN IT MAY BE DUPLICATED OR DISCLOSED WITHOUT PRIOR WRITTEN CONSENT OF CINCH.	QUALITY ASSURANCE <b>D. DE LA PENA</b>	9/15/05	FINISH
			PROJECT NUMBER <b>A 14562</b>
			CAD FILE NUMBER <b>5810130045</b>
			DRAWING NUMBER <b>581 01 30 045S</b>
			CAGE IDENT NO. <b>71785</b> SIZE <b>B</b>
			SCALE <b>7:10</b> SHEET <b>1 OF 6</b>



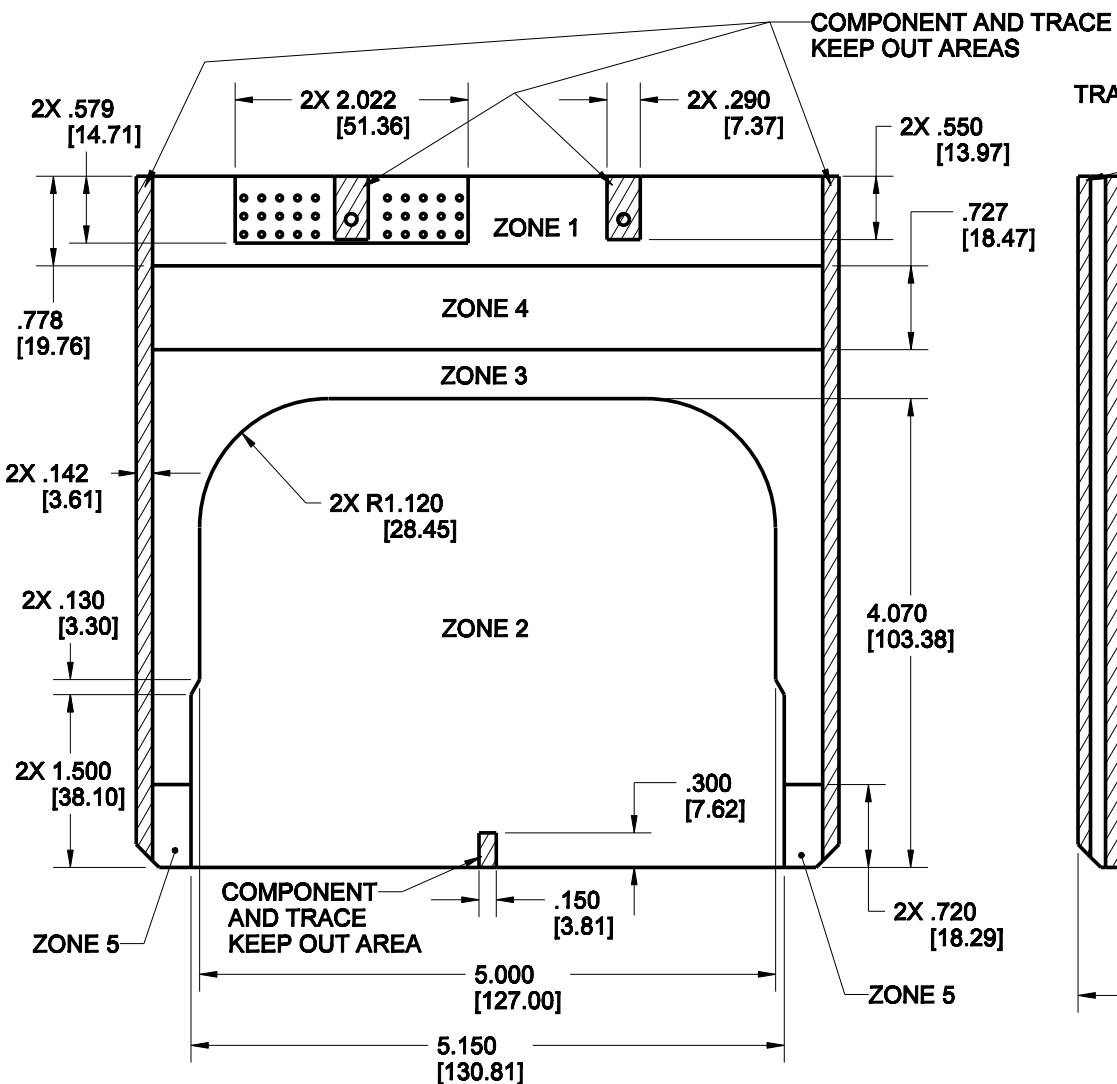
CINCH P/N: 581 01 30 051 SHOWN  
(HEADER WITH FILTERS)



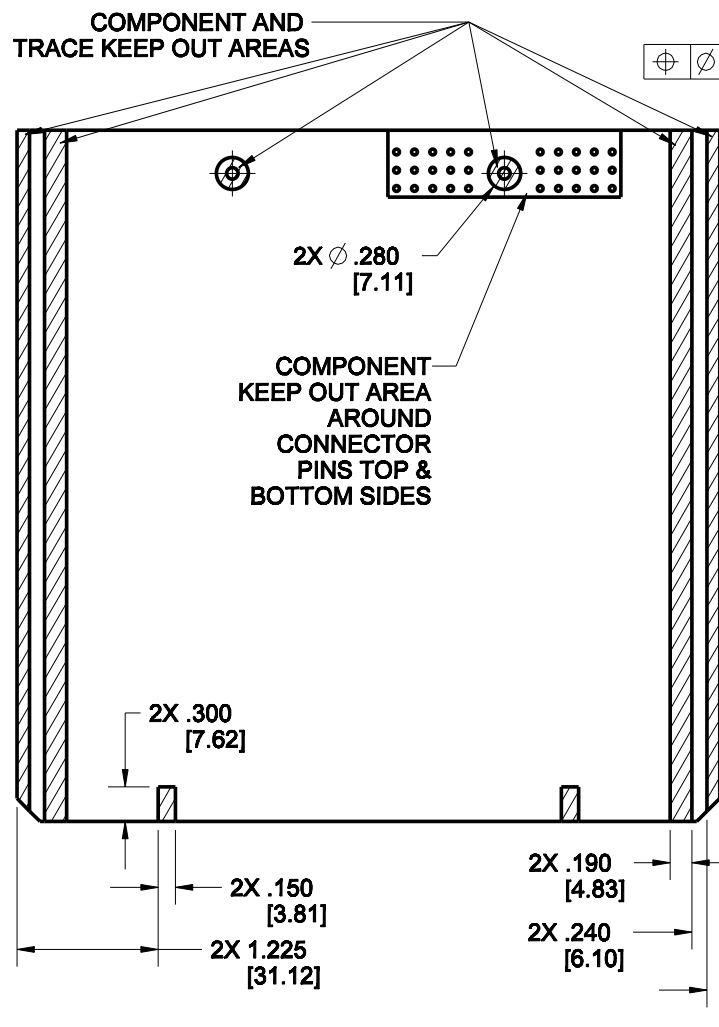
UNITS <b>ENGLISH</b>		<b>Cinch</b>		1700 FINLEY RD LOMBARD, IL 60148	
DO NOT SCALE DRAWING		TITLE <b>30-WAY HEADERS LE MODICE</b>			
UNLESS OTHERWISE SPECIFIED: ALL DIMENSIONS ARE IN INCHES		PRO/E DRAWING			
FILLET/RADI .02 MAX	TOLERANCES X ± .1 .XX ± .01 .XXX ± .005 ANGULAR ± .5	CAD FILE NUMBER <b>5810130045</b>	DRAWING NUMBER <b>581 01 30 045S</b>		REV <b>C</b>
THIS DOCUMENT IS THE PROPERTY OF CINCH. NEITHER THIS DOCUMENT NOR ANY OF THE INFORMATION CONTAINED IN IT MAY BE DUPLICATED OR DISCLOSED WITHOUT PRIOR WRITTEN CONSENT OF CINCH.		CAGE IDENT NO. <b>71785</b>	SIZE <b>B</b>	SCALE 1:1	SHEET 2 OF 6

# PCB LAY-OUT WITHOUT HEAT SINKS

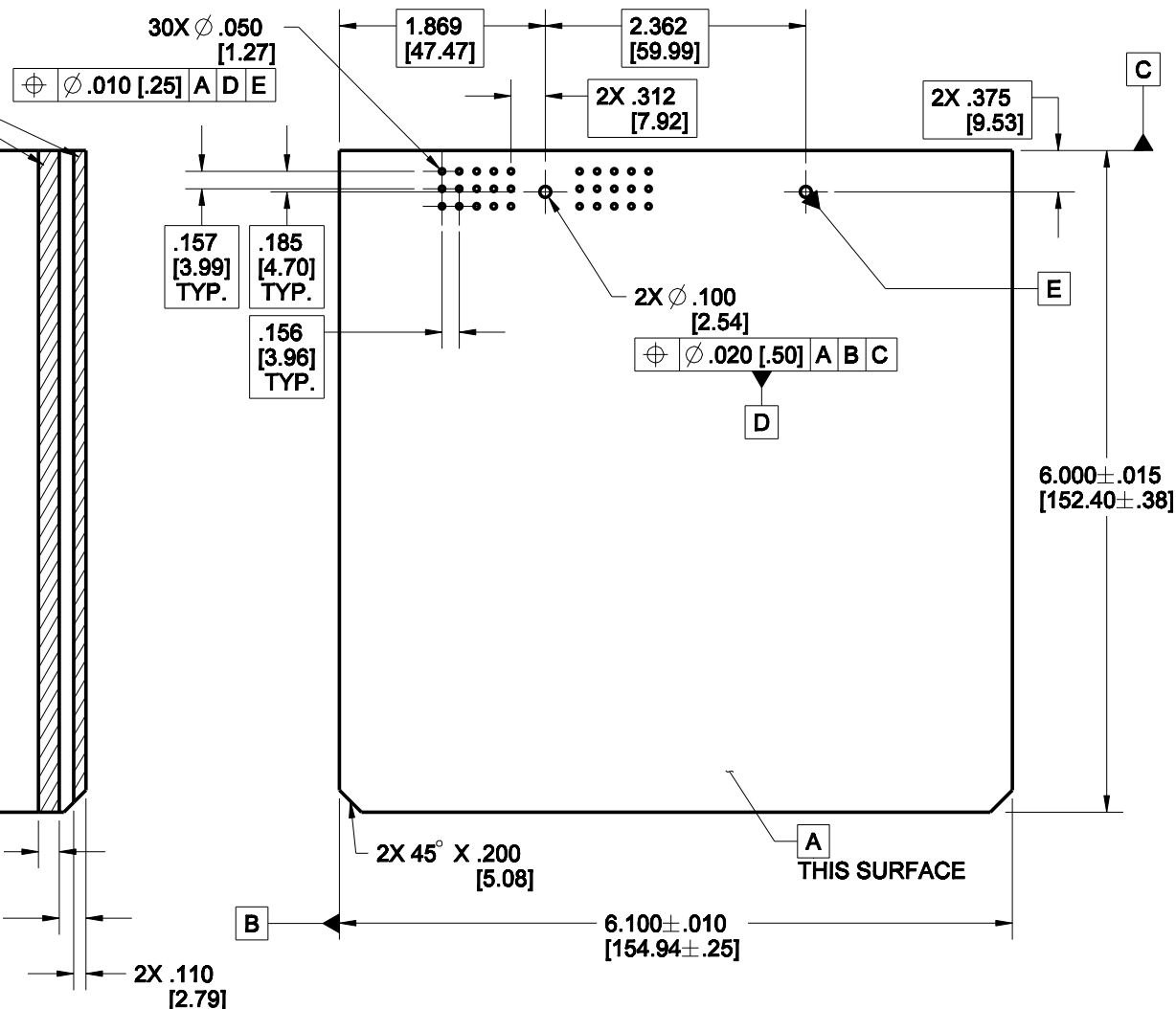
**PCB TOP SIDE GENERAL ZONING & KEEP OUT AREAS**



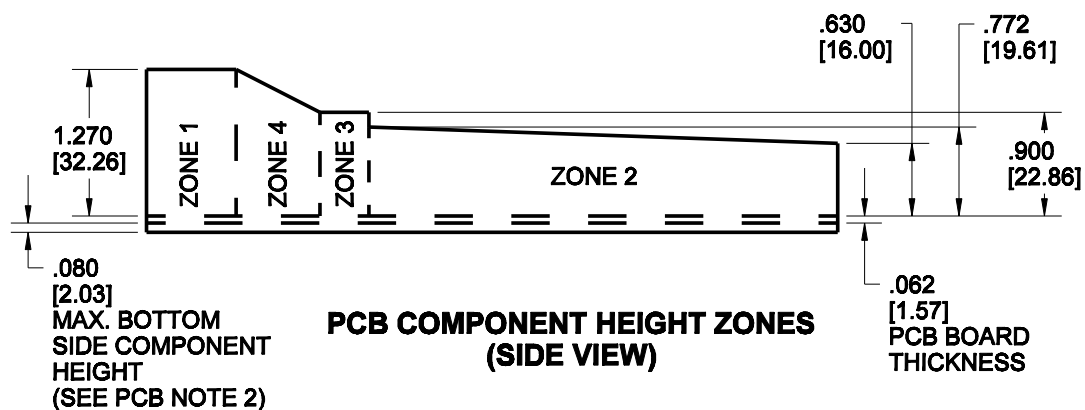
**PCB BOTTOM SIDE GENERAL ZONING & KEEP OUT AREAS**



**PCB OVERALL DIMENSIONS AND HOLE LOCATIONS**



**PCB COMPONENT HEIGHT ZONES (SIDE VIEW)**



**PCB COMPONENTS HEIGHT LIMIT**

	ZONE 1	ZONE 2	ZONE 3	ZONE 4	ZONE 5
MAX. HEIGHT FOR COMPONENTS (ABOVE PCB)	1.270"	SEE PCB NOTE 3	.900"	SEE PCB NOTE 3	.420"

**PCB NOTES:**

- ON BOTTOM SIDE OF THE PCB, COMPONENTS OR TRACES MUST BE MIN. .100" AWAY FROM THE EDGE OF THE PCB.
- THE BOTTOM SIDE OF THE PCB SHOULD NOT HAVE COMPONENTS OR LEADS THAT EXTEND HIGHER THAN .080" (SEE PG. 6 SIDE VIEW).
- AREA HAS VARIABLE HEIGHT. SEE PCB COMPONENT HEIGHT ZONES VIEW FOR DETAILS.

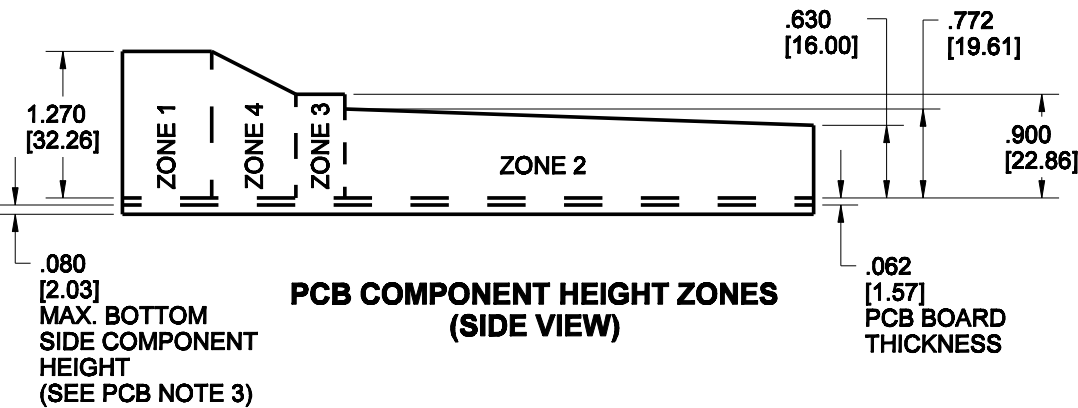
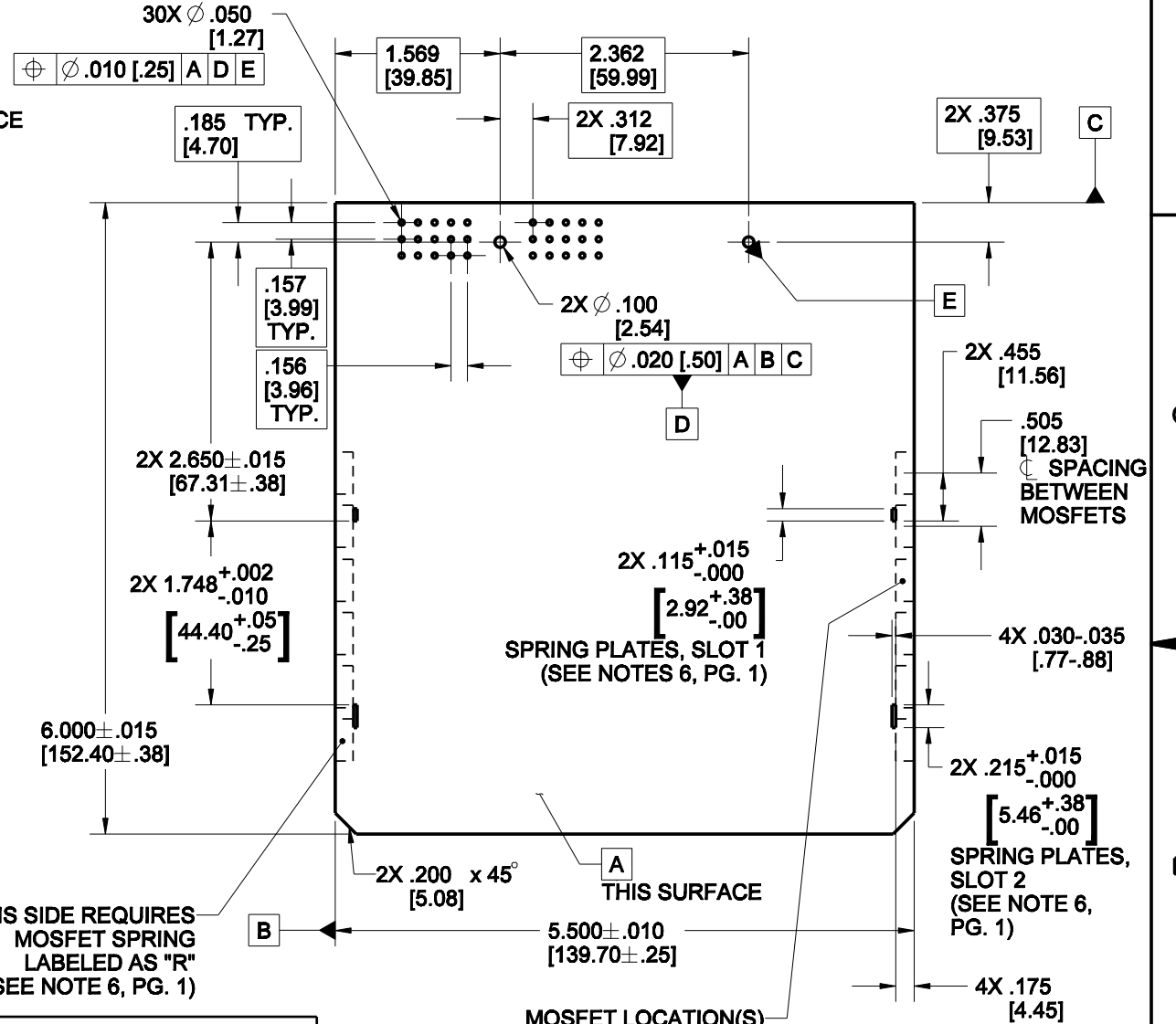
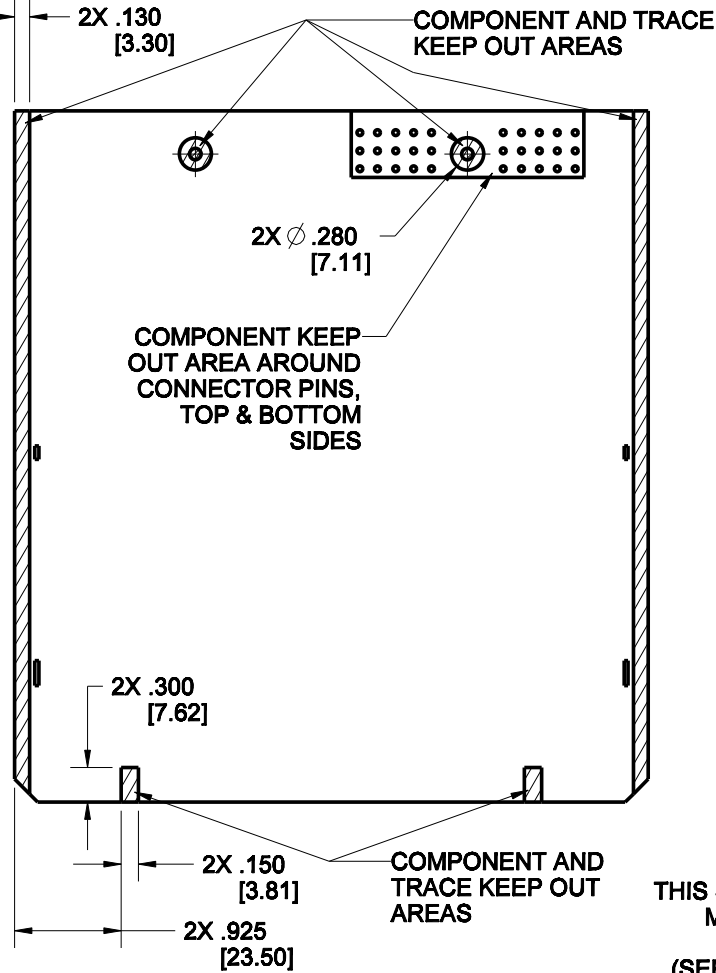
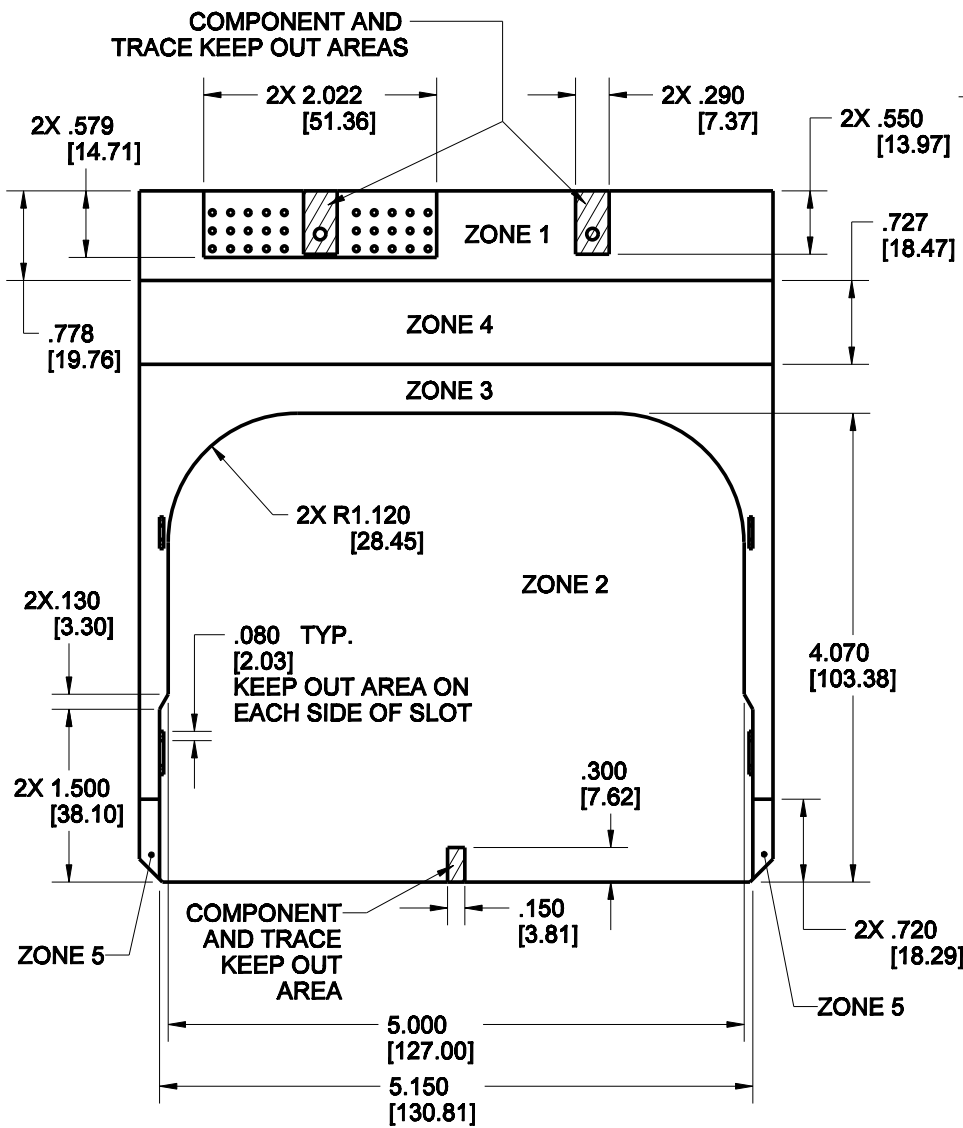
UNITS	ENGLISH		<b>Cinch</b>		1700 FINLEY RD LOMBARD, IL. 60148	
DO NOT SCALE DRAWING					TITLE	
UNLESS OTHERWISE SPECIFIED: ALL DIMENSIONS ARE IN INCHES			PRO/E DRAWING			
FILLET/RADI .02 MAX			TOLERANCES X ± .1 .XX ± .01 .00X ± .005 ANGULAR ± .5			
TOLERANCES AND LIMITS APPLY OVER ADDITIVE FINISH			CAGE IDENT NO.		SCALE	
THIS DOCUMENT IS THE PROPERTY OF CINCH. NEITHER THIS DOCUMENT NOR ANY OF THE INFORMATION CONTAINED IN IT MAY BE DUPLICATED OR DISCLOSED WITHOUT PRIOR WRITTEN CONSENT OF CINCH.			71785		B	
CAD FILE NUMBER			DRAWING NUMBER		REV	
5810130045			581 01 30 045S		C	
SHEET 3 OF 6			3:5		SHEET 3 OF 6	

# PCB LAY-OUT WITH TWO HEAT SINKS

## PCB TOP SIDE GENERAL ZONING & KEEP OUT AREAS

## PCB BOTTOM SIDE GENERAL ZONING & KEEP OUT AREAS

## PCB OVERALL DIMENSIONS AND HOLE LOCATIONS



PCB COMPONENTS HEIGHT LIMIT					
	ZONE 1	ZONE 2	ZONE 3	ZONE 4	ZONE 5
MAX. HEIGHT FOR COMPONENTS (ABOVE PCB)	1.270"	SEE PCB NOTE 4	.900"	SEE PCB NOTE 4	.420"

**PCB NOTES:**

- IF MOSFET SPRINGS ARE USED, ZONE 3 SHOULD CONTAIN ONLY MOSFETS AND TRACES BETWEEN THE SPRINGS AND EDGE OF THE BOARD.
- ON BOTTOM SIDE OF THE PCB, COMPONENTS OR TRACES MUST BE MIN. .100" AWAY FROM THE EDGE OF THE PCB.
- THE BOTTOM SIDE OF THE PCB SHOULD NOT HAVE COMPONENTS OR LEADS THAT EXTEND HIGHER THAN .080" (SEE PG. 6 SIDE VIEW).
- AREA HAS VARIABLE HEIGHT. SEE PCB COMPONENT HEIGHT ZONES VIEW FOR DETAILS.

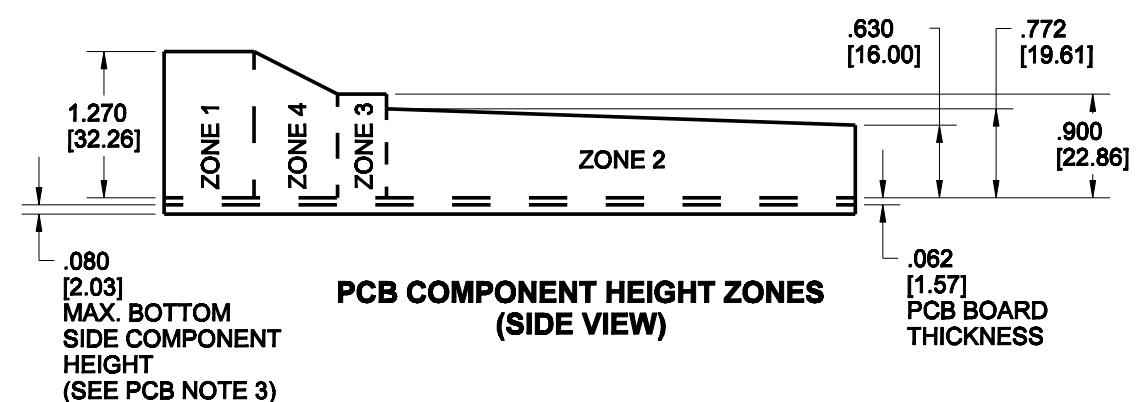
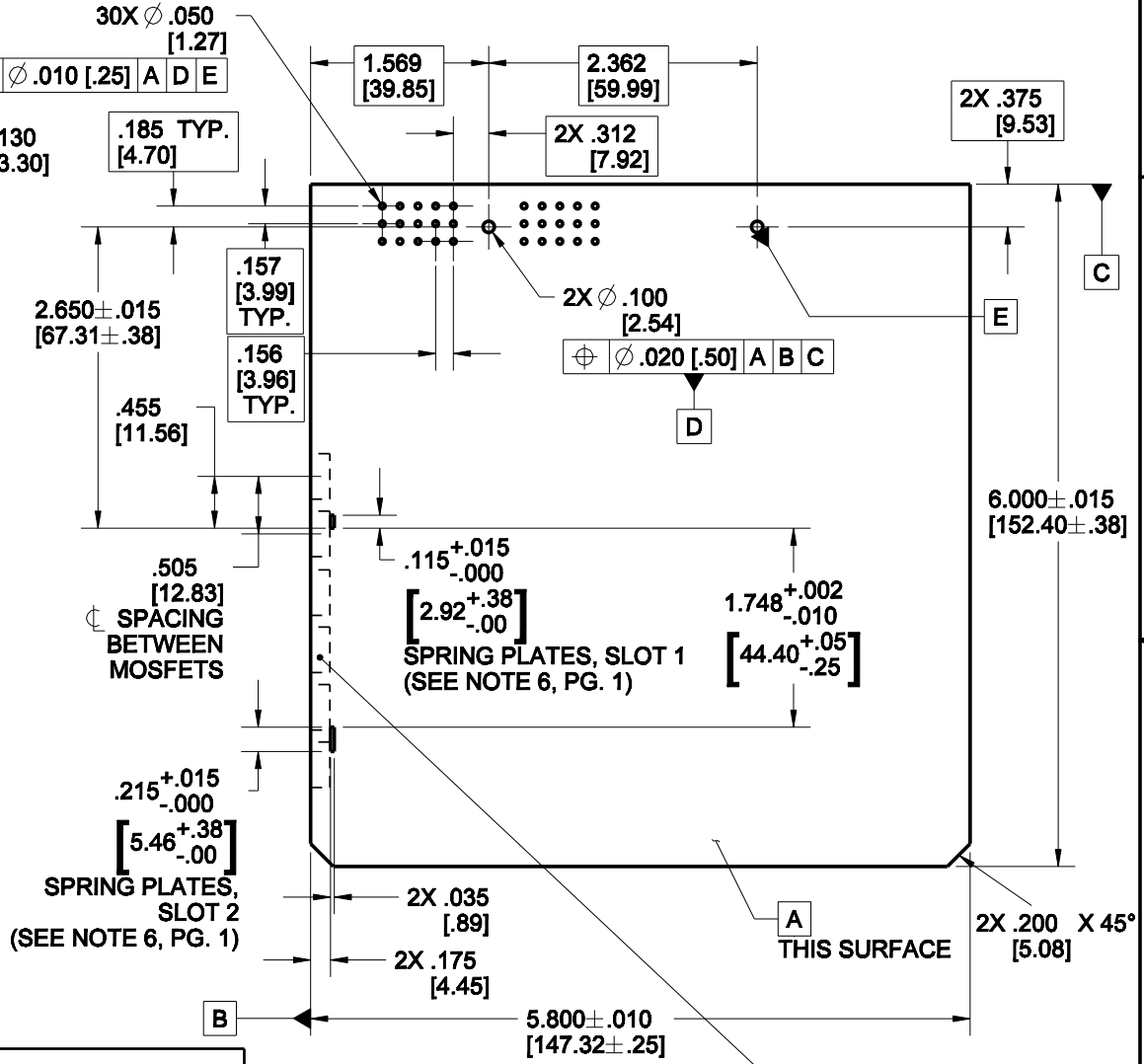
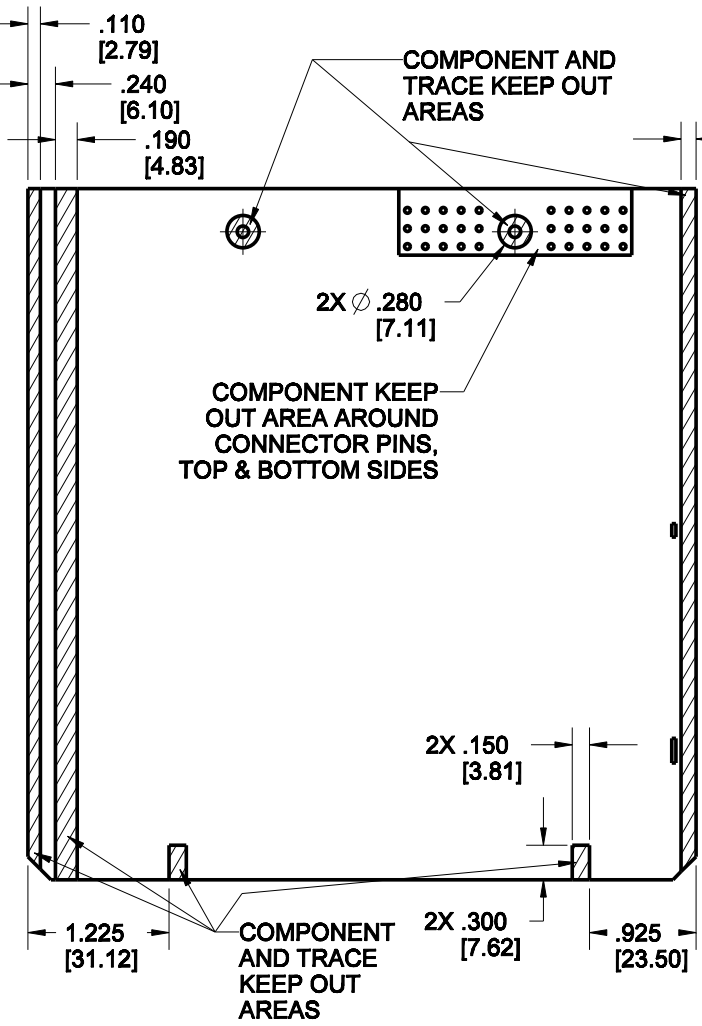
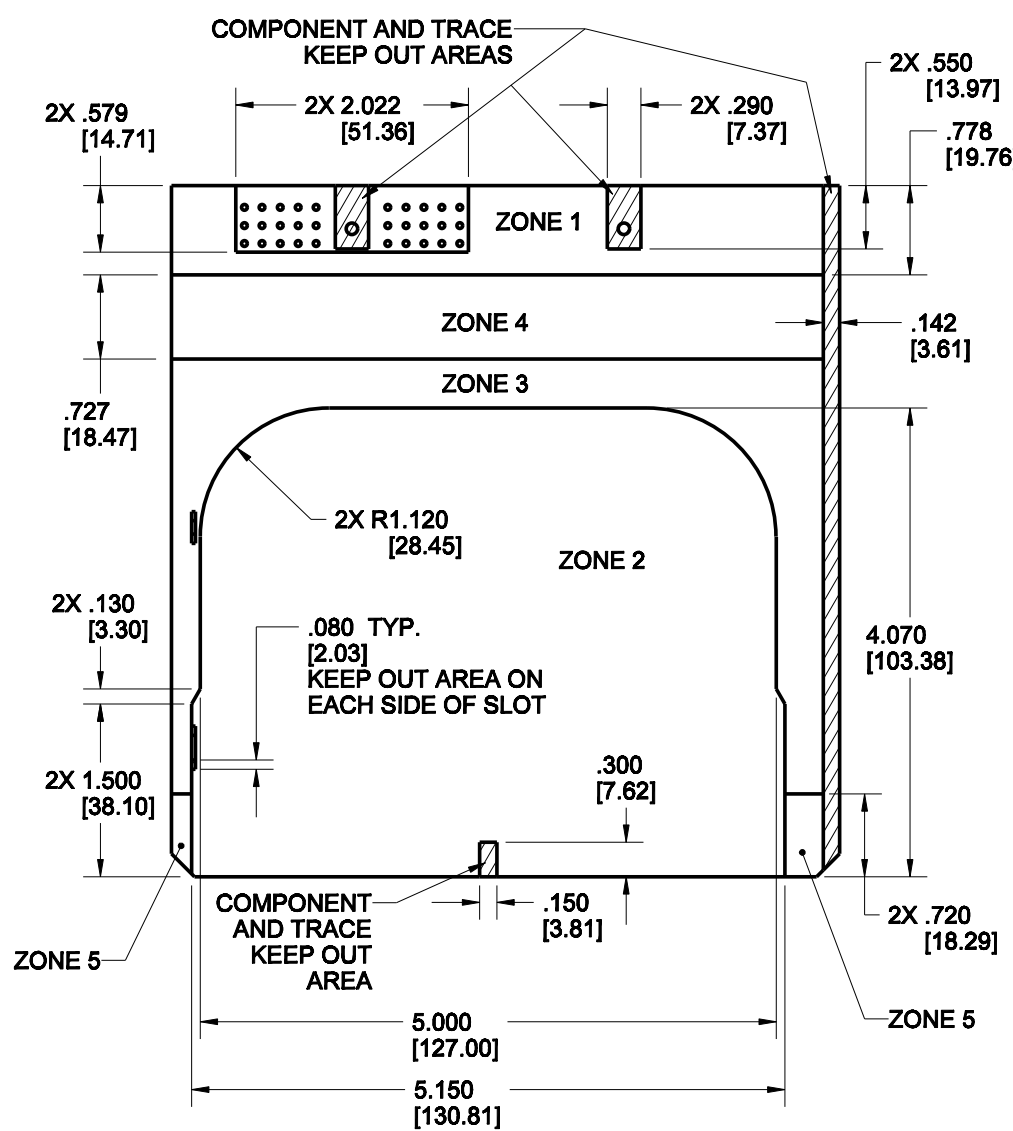
UNITS	ENGLISH	<b>Cinch</b>		1700 FINLEY RD LOMBARD, IL. 60148	
DO NOT SCALE DRAWING				TITLE	
UNLESS OTHERWISE SPECIFIED: ALL DIMENSIONS ARE IN INCHES		PRO/E DRAWING			
FILLET/RADI .02 MAX	TOLERANCES X ± .1 .XX ± .01 .XXX ± .005 ANGULAR ± .5	CAD FILE NUMBER	DRAWING NUMBER	REV	
THIS DOCUMENT IS THE PROPERTY OF CINCH. NEITHER THIS DOCUMENT NOR ANY OF THE INFORMATION CONTAINED IN IT MAY BE DUPLICATED OR DISCLOSED WITHOUT PRIOR WRITTEN CONSENT OF CINCH.		5810130045	581 01 30 045S	C	
		CAGE IDENT NO.	SCALE	SHEET 4 OF 6	
		71785	B	3:5	

# PCB LAY-OUT WITH ONE HEAT SINK

## PCB TOP SIDE GENERAL ZONING & KEEP OUT AREAS

## PCB BOTTOM SIDE GENERAL ZONING & KEEP OUT AREAS

## PCB OVERALL DIMENSIONS AND HOLE LOCATIONS



PCB COMPONENTS HEIGHT LIMIT					
	ZONE 1	ZONE 2	ZONE 3	ZONE 4	ZONE 5
MAX. HEIGHT FOR COMPONENTS (ABOVE PCB)	1.270"	SEE PCB NOTE 4	.900"	SEE PCB NOTE 4	.420"

**PCB NOTES:**

- IF MOSFET SPRINGS ARE USED, ZONE 3 SHOULD CONTAIN ONLY MOSFETS AND TRACES BETWEEN THE SPRINGS AND EDGE OF THE BOARD.
- ON BOTTOM SIDE OF THE PCB, COMPONENTS OR TRACES MUST BE MIN. .100" AWAY FROM THE EDGE OF THE PCB.
- THE BOTTOM SIDE OF THE PCB SHOULD NOT HAVE COMPONENTS OR LEADS THAT EXTEND HIGHER THAN .080" (SEE PG. 6 SIDE VIEW).
- AREA HAS VARIABLE HEIGHT. SEE PCB COMPONENT HEIGHT ZONES VIEW FOR DETAILS.

UNITS	ENGLISH	<b>Cinch</b>		1700 FINLEY RD LOMBARD, IL 60148
DO NOT SCALE DRAWING		30-WAY HEADERS LE MODICE		
UNLESS OTHERWISE SPECIFIED: ALL DIMENSIONS ARE IN INCHES		TITLE		
FILLET/RADI .02 MAX	TOLERANCES X ± .1 .XX ± .01 .00X ± .005 ANGULAR ± .5	PRO/E DRAWING		
THIS DOCUMENT IS THE PROPERTY OF CINCH. NEITHER THIS DOCUMENT NOR ANY OF THE INFORMATION CONTAINED IN IT MAY BE DUPLICATED OR DISCLOSED WITHOUT PRIOR WRITTEN CONSENT OF CINCH.		CAD FILE NUMBER <b>5810130045</b>	DRAWING NUMBER <b>581 01 30 045S</b>	REV <b>C</b>
CAGE IDENT NO. <b>71785</b>	SIZE <b>B</b>	SCALE 3:5	SHEET 5 OF 6	

MOSFET LOCATION(S)  
MAX. 6 TO-220 STYLE  
MOSFETS THIS SIDE ONLY  
THIS SIDE REQUIRES  
MOSFET SPRING LABELED  
AS "R" (SEE NOTE 6, PG. 1)