

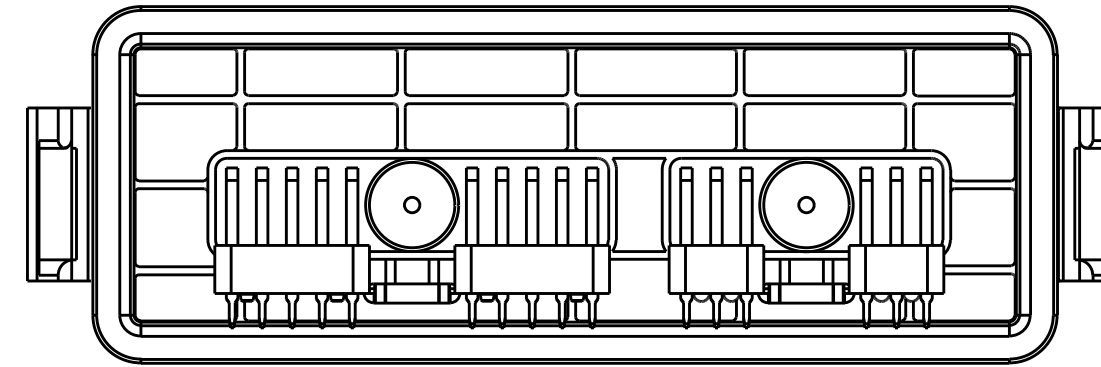
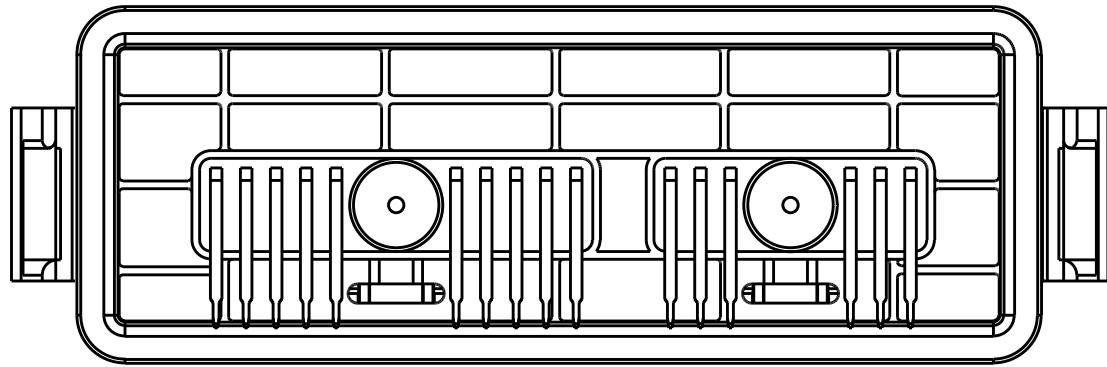
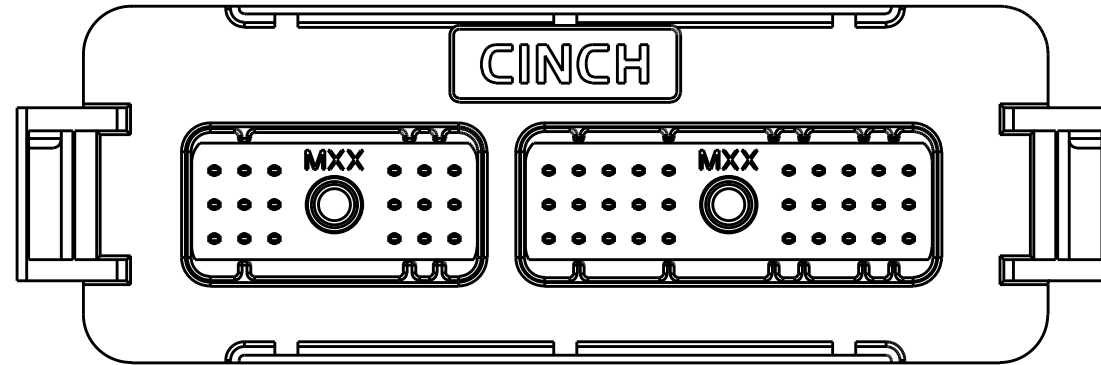
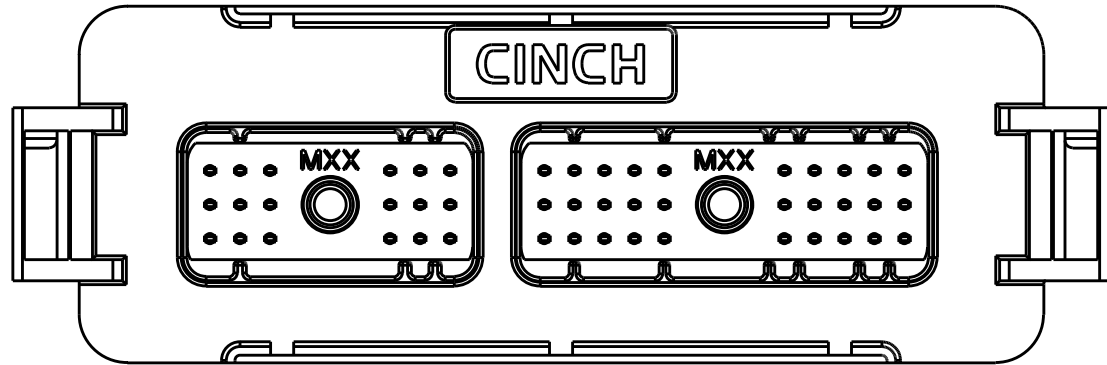
# CINCH PART NUMBER MATRIX

P/N: 581 01 48 005

P/N: 581 01 48 007

48-WAY HEADER ASSEMBLY WITH OUT FERRITE FILTERS

48-WAY HEADER ASSEMBLY WITH FERRITE FILTERS



MATES WITH CINCH HARNESS CONNECTORS P/N:  
581 01 18 023 (18-WAY) AND 581 01 30 029 (30-WAY)

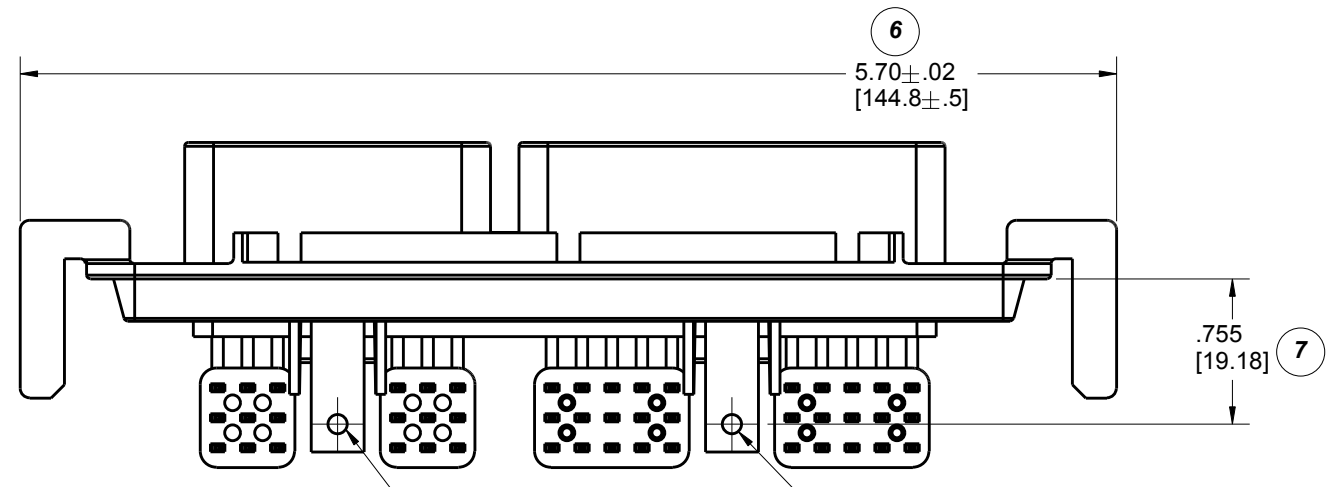
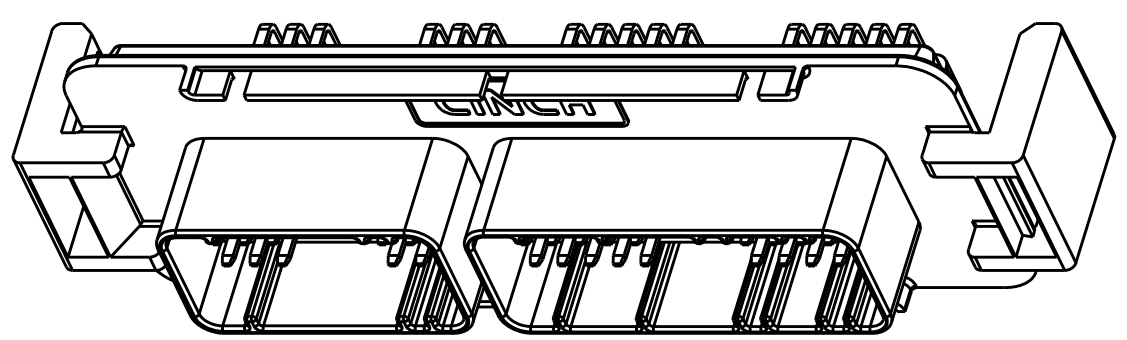
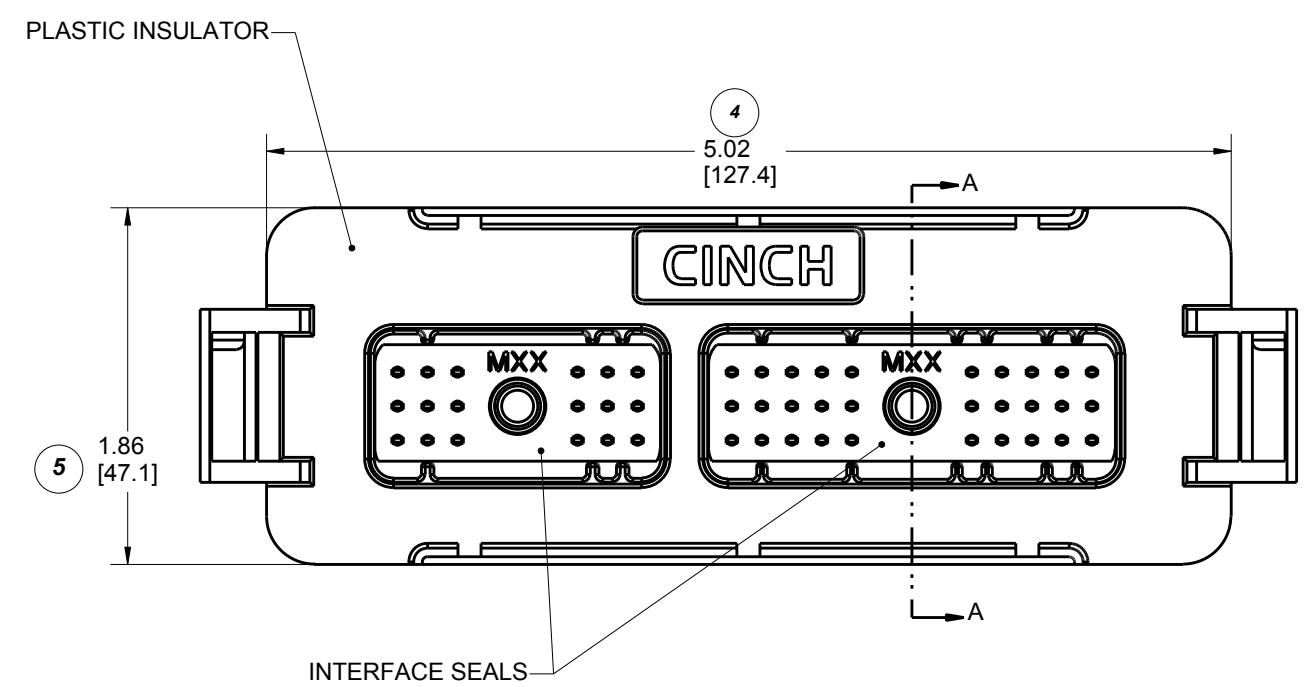
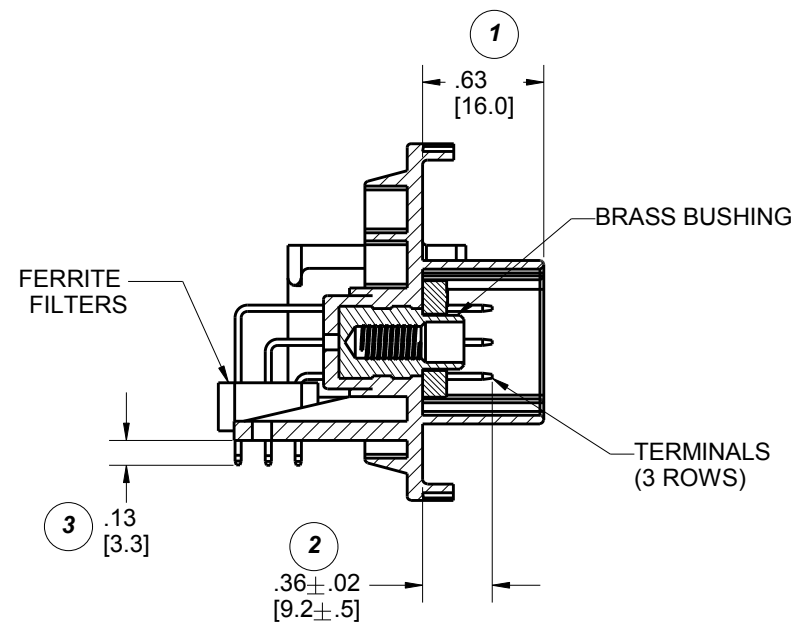
## DRAWING REVISIONS

REV	DOCUMENT	APP	DATE
A	REL. FOR PRODUCTION D.O. 05-1157	A.C.	7/21/05
B	ECN: 05A468 ADDED LEGS AND ADDED SLOTS TO RIBS	A.C.	9/27/05
C	ECN: 06A635 ADDED SHEET 5 ADDED SHEET 6 MODIFIED SHEET 3 MODIFIED SHEET 4	A.C.	3/24/06
D	ECN: 06A408 REFORMATTED DRAWING PCB LAYOUTS REDRAWN WITH ADDITIONAL KEEP OUT AREAS	A.C.	9/28/06
E	CO 4256	N.C.	3/31/20

### NOTES:

- ALL DIMENSIONS ARE IN INCHES;  
DIMENSION INSIDE [.XX] ARE IN MM, AS REF. ONLY.
- MATERIALS:  
INTERFACE SEAL: SILICONE RUBBER, COLOR BLUE;  
INSULATOR: 30 % GLASS FILLED POLYMER, COLOR BLACK;  
BUSHING: BRASS ALLOY, UNPLATED 10-24 UNC THREAD;  
TERMINAL BLADE: 1.5 MM BRASS WITH TIN OVER NICKEL PLATING;  
FILTERS: FERRITE BLOCKS.
- ALL HEADERS ARE REFLOW OR WAVE SOLDERING PROCESS, ROHS COMPLIANT.
- MATES WITH CINCH SHS PUSH-TO-SEAT HARNESS CONNECTORS (SEE TABLE ABOVE).
- THERMALLY CONDUCTIVE ADHESIVE PASTE SOLD SEPARATLY: RECOMMENDED IS LOCTITE 383.
- MOSFET SPRING PLATES ARE SOLD SEPARATLY (FOR INSTALLATION REFER TO ENCLOSURE ASSEMBLY INSTRUCTIONS) SPRING LABELED AS "L" IS CINCH P/N: 581 00 00 020 AND SPRING LABELED AS "R" IS CINCH P/N: 581 00 00 021.  
(IT IS RECOMMENDED THAT THE 4 SLOTS BE PROTECTED DURING CONFORMAL COATING)
- STANDARD PACKAGE SIZE: 72 PARTS/CARTON BOX.

UNITS		RoHS COMPLIANT		MODELED BY:	
ENGLISH	INCHES	PRO/E		CINCH	
DO NOT SCALE DRAWING		DESIGN BY	DATE	TITLE	
UNLESS OTHERWISE SPECIFIED: ALL DIMENSIONS ARE IN INCHES		B. KOSTIC	09/03/04	SE HEADERS MODULAR ICE	
FILLET/RADII .02 MAX	TOLERANCES .X ± .1 .XX ± .01 .XXX ± .005 ANGULAR ± .5°	DESIGN ENGINEER		MATERIAL	CONTROL SPEC NUMBER
		B. KOSTIC	09/03/04	SEE NOTE 2.	
		DESIGN ENGINEERING MGR.		MATERIAL SPEC NUMBER	PROJECT NUMBER
		A. CAINES	11/18/04	A 14562	
		MFG. ENGINEERING		CAD FILE NUMBER	DRAWING NUMBER
		R. GARZA	11/18/04	5810148005S	581 01 48 005 S
		QUALITY ASSURANCE		CAGE IDENT NO.	SCALE
		R. QUIROZ	11/18/04	71785	B 1:1
				SIZE	SHEET 1 OF 6



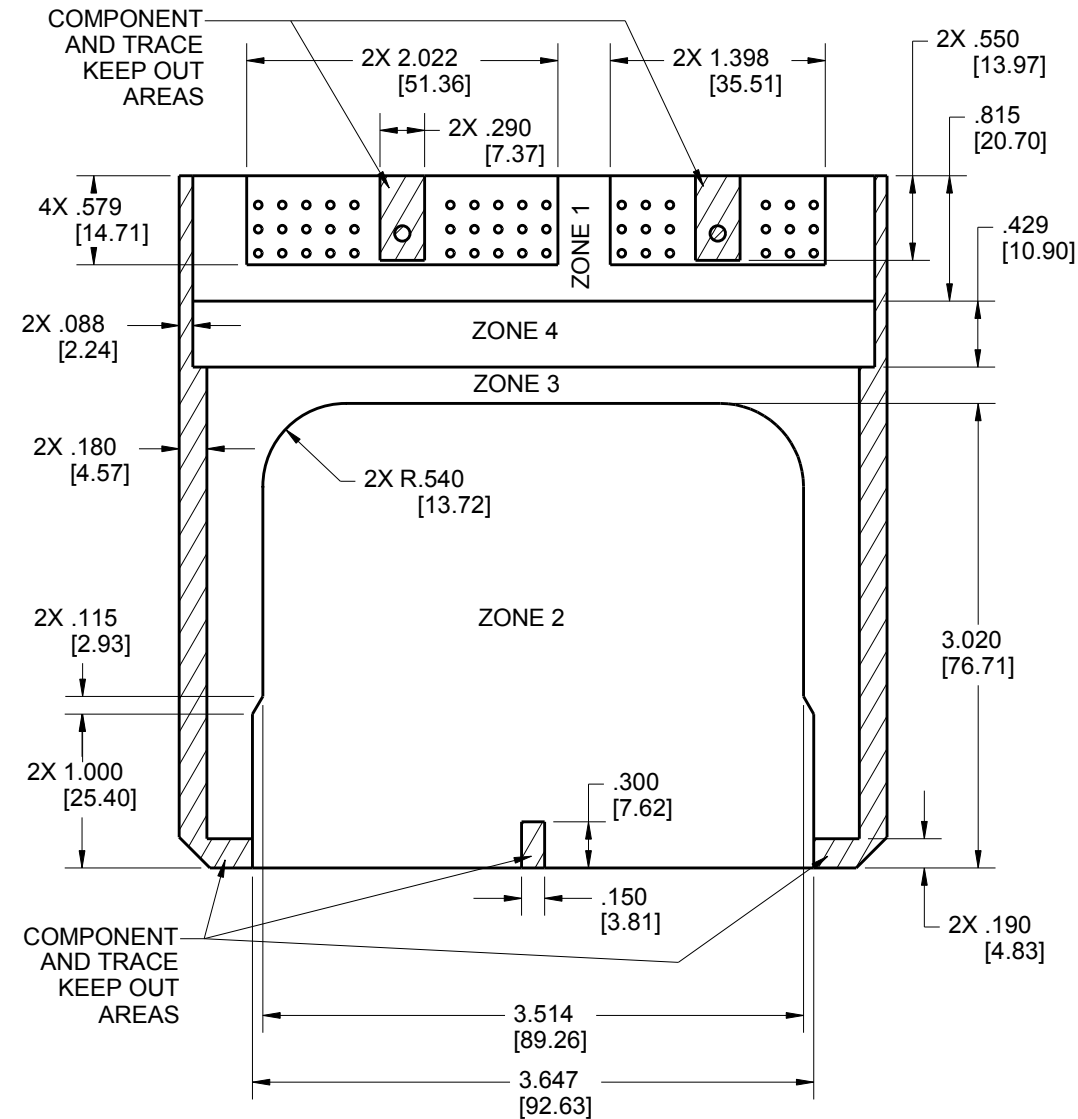
FOR PCB MOUNTING #4 SELF-TAPPING SCREW IS RECOMMENDED TORQUE: 2-3 IN\*LB. [0.23-0.34 Nm]

**CINCH P/N: 581 01 48 007 SHOWN  
(HEADER WITH FILTERS)**

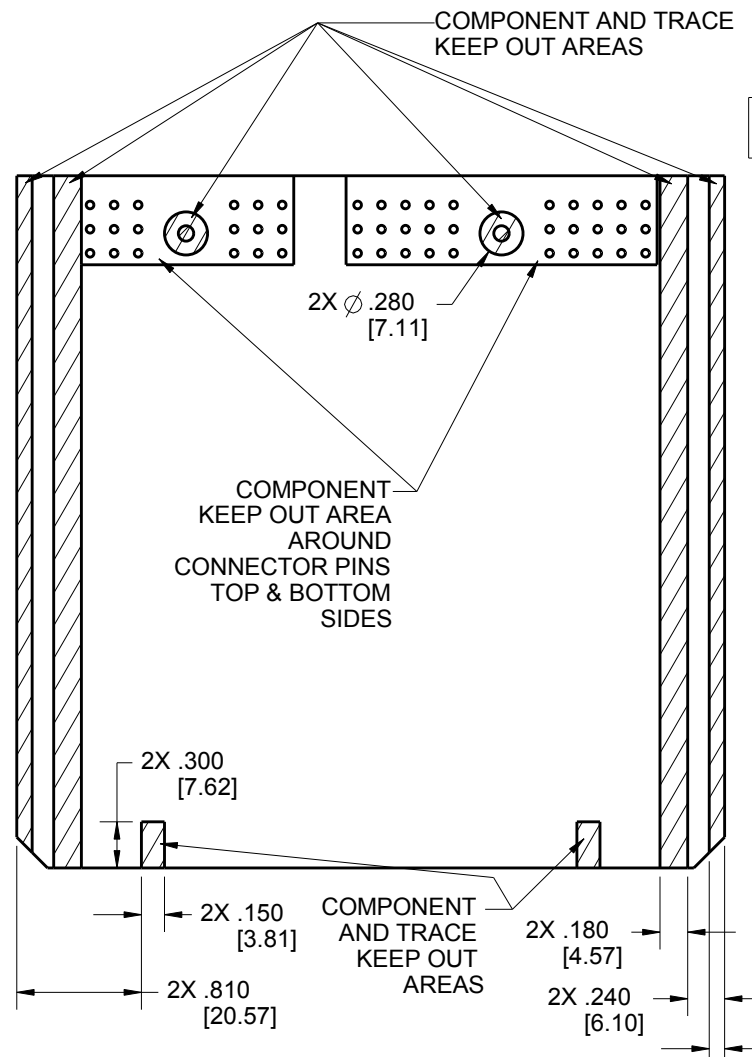
UNITS <b>ENGLISH</b>		<b>CINCH</b>		1700 FINLEY RD LOMBARD, IL. 60148	
DO NOT SCALE DRAWING		TITLE SE HEADERS MODULAR ICE			
UNLESS OTHERWISE SPECIFIED: ALL DIMENSIONS ARE IN INCHES		PRO/E DRAWING			
FILLET/RADII .02 MAX		TOLERANCES X ± .1 XX ± .01 XXX ± .005 ANGULAR ± .5°		CAD FILE NUMBER 5810148005S	DRAWING NUMBER 581 01 48 005 S
TOLERANCES AND LIMITS APPLY OVER ADDITIVE FINISH		CAGE IDENT NO. 71785	SIZE B	SCALE 1:1	REV E
THIS DOCUMENT IS THE PROPERTY OF CINCH. NEITHER THIS DOCUMENT NOR ANY OF THE INFORMATION CONTAINED IN IT MAY BE DUPLICATED OR DISCLOSED WITHOUT PRIOR WRITTEN CONSENT OF CINCH.		SHEET 2 OF 6			

# PCB LAYOUT WITHOUT HEAT SINKS

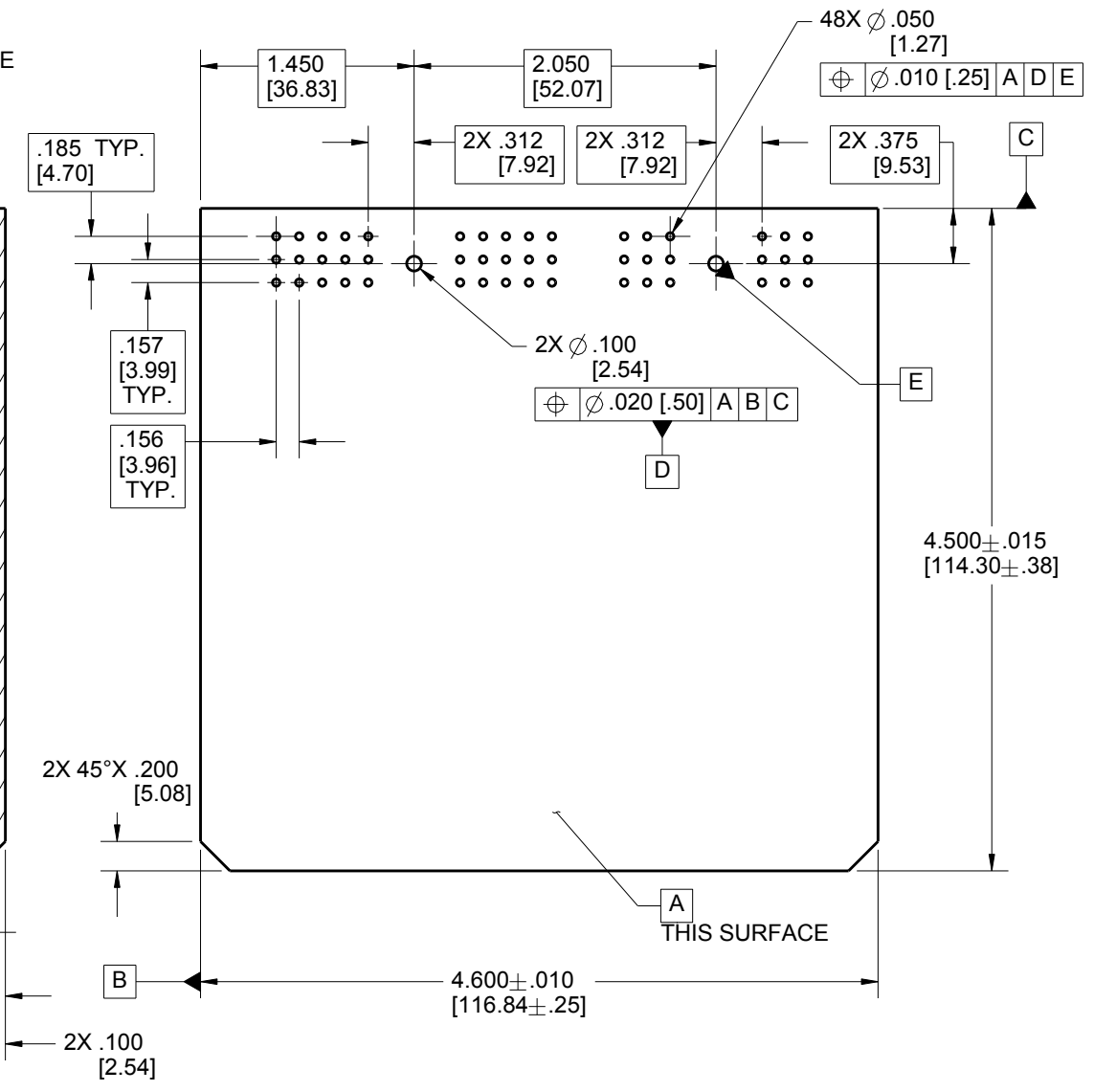
## PCB TOP SIDE GENERAL ZONING & KEEP OUT AREAS



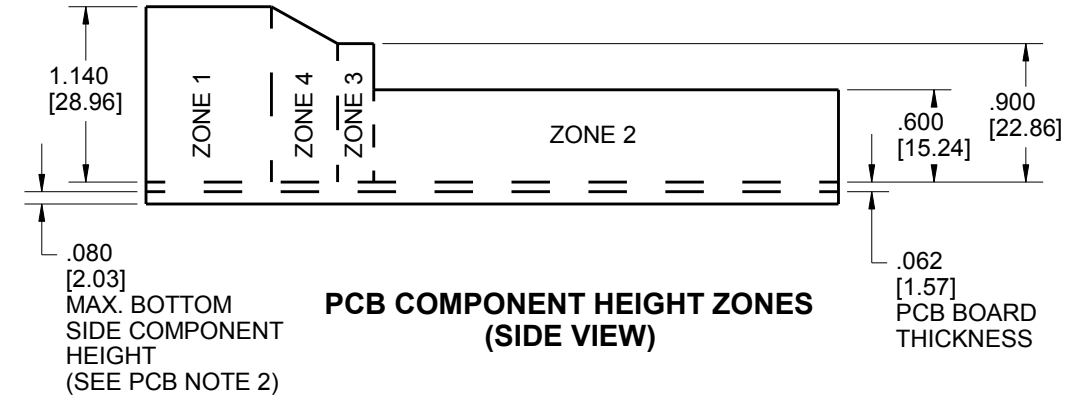
## PCB BOTTOM SIDE GENERAL ZONING & KEEP OUT AREAS



## PCB OVERALL DIMENSIONS AND HOLE LOCATIONS



## PCB COMPONENT HEIGHT ZONES (SIDE VIEW)



### PCB COMPONENTS HEIGHT LIMIT

	ZONE 1	ZONE 2	ZONE 3	ZONE 4
MAX. HEIGHT FOR COMPONENTS (ABOVE PCB)	1.140"	.600"	.900"	SEE PCB NOTE 3

- PCB NOTES:**
- ON BOTTOM SIDE OF THE PCB, COMPONENTS OR TRACES MUST BE MIN. .100" AWAY FROM THE EDGE OF THE PCB.
  - THE BOTTOM SIDE OF THE PCB SHOULD NOT HAVE COMPONENTS OR LEADS THAT EXTEND HIGHER THAN .080" (SEE PG. 6 SIDE VIEW).
  - AREA HAS VARIABLE HEIGHT. SEE PCB COMPONENT HEIGHT ZONES VIEW FOR DETAILS.

UNITS <b>ENGLISH</b> DO NOT SCALE DRAWING UNLESS OTHERWISE SPECIFIED: ALL DIMENSIONS ARE IN INCHES FILLET/RADII .02 MAX TOLERANCES AND LIMITS APPLY OVER ADDITIVE FINISH TOLERANCES: .X ± .1 .XX ± .01 .XXX ± .005 ANGULAR ± .5°	<b>CINCH</b> 1700 FINLEY RD LOMBARD, IL. 60148	TITLE SE HEADERS MODULAR ICE <b>PRO/E DRAWING</b> CAD FILE NUMBER 5810148005S DRAWING NUMBER 581 01 48 005 S CAGE IDENT NO. 71785 SIZE B SCALE 4:5 SHEET 3 OF 6 REV E
---	--	---



