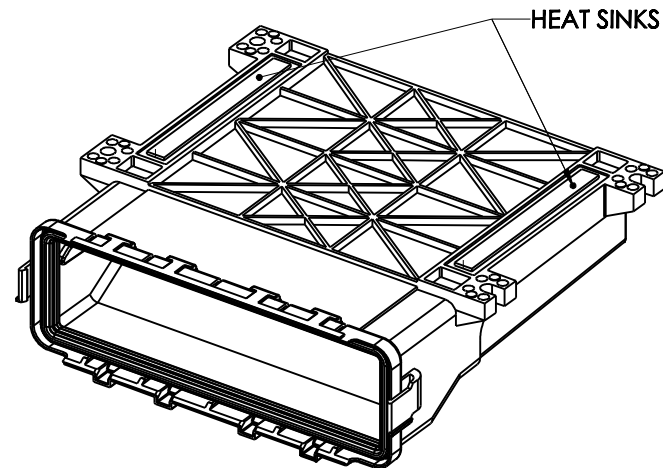


CINCH PART NUMBER MATRIX

| DRAWING REVISIONS (RELEASE DATE ON FILE) | | | |
|---|----------|--------|---------------|
| REV | DOCUMENT | APP | APPROVAL DATE |
| D | CO 1985 | V.RICE | 9-11-12 |

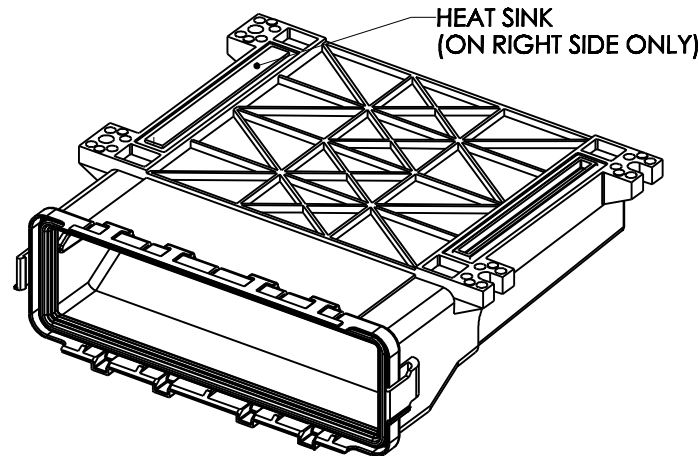
P/N: 5810160031

ENCLOSURE WITH TWO HEAT SINKS



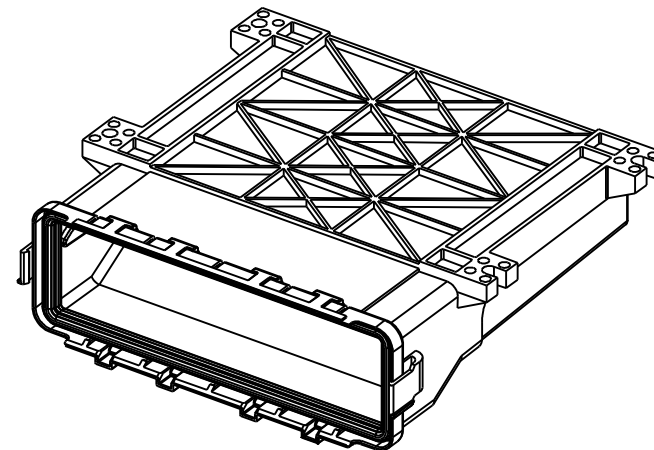
P/N: 5810160032

ENCLOSURE WITH ONE HEAT SINK



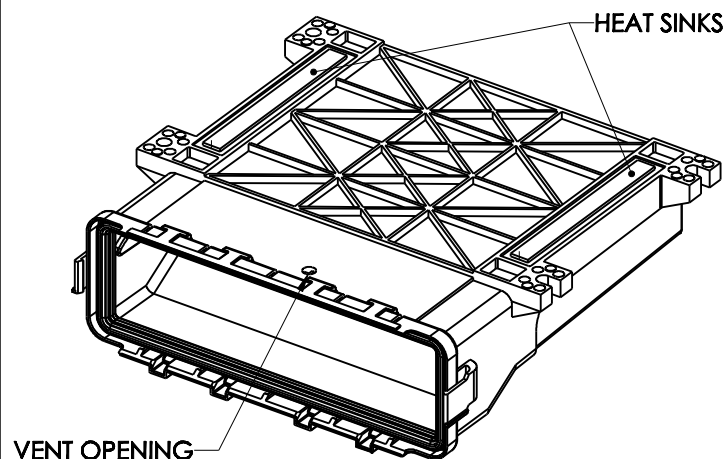
P/N: 5810160033

ENCLOSURE WITHOUT HEAT SINKS



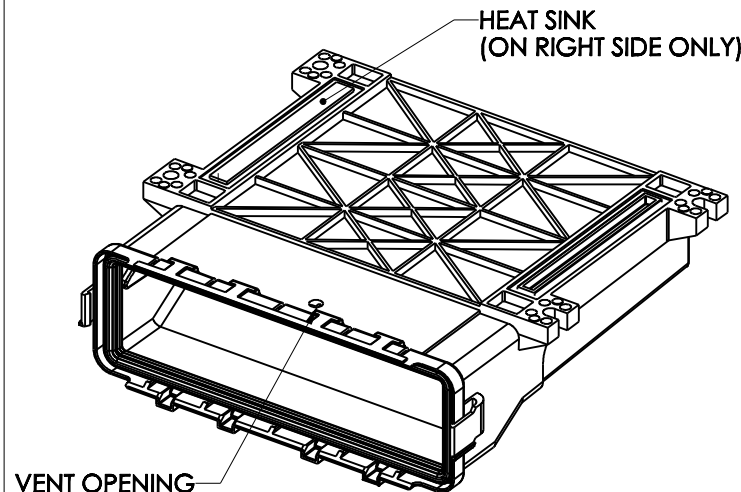
P/N: 5810160037

ENCLOSURE WITH TWO HEAT SINKS & MEMBRANE VENT



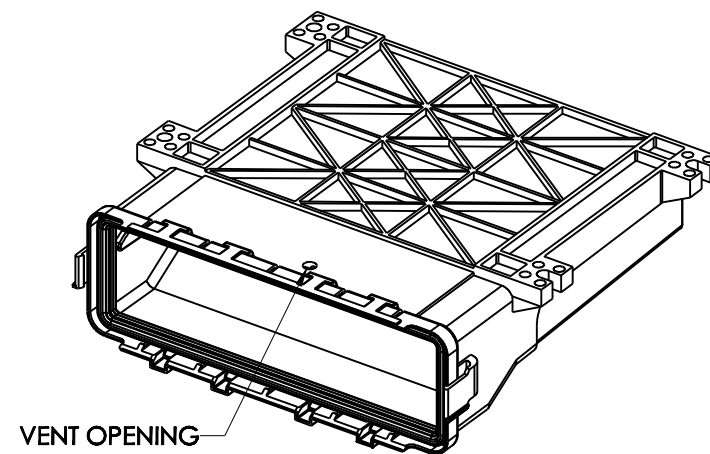
P/N: 5810160038

ENCLOSURE WITH ONE HEAT SINK & MEMBRANE VENT



P/N: 5810160039

ENCLOSURE WITHOUT HEAT SINKS & MEMBRANE VENT

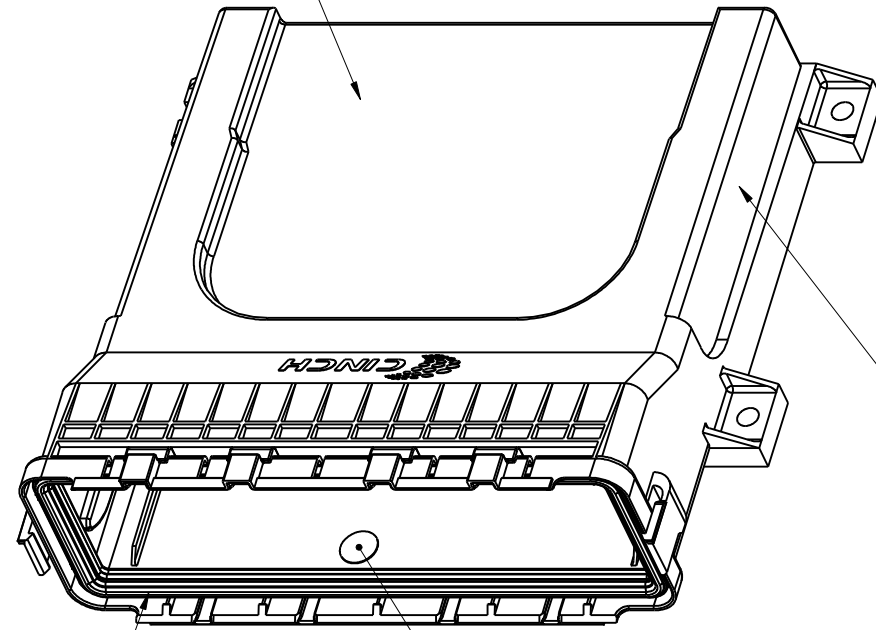


NOTE:

1. ALL DIMENSIONS ARE IN INCHES; DIMENSIONS IN [.XX] ARE IN mm AS REF. ONLY.
2. MATERIALS:
ENCLOSURE: 30 % GLASS FILLED POLYMER, COLOR BLACK;
PERIPHERAL SEAL: SILICONE RUBBER, COLOR BLUE.
HEAT SINK: ANODIZED ALUMINUM ALLOY.
3. HEADERS ARE SOLD SEPARATELY (CONSULT FACTORY FOR P/N);
FOR PCB SIZE AND REQUIREMENTS REFER TO HEADER DRAWINGS.
4. STANDARD PACKAGE SIZE: 21 PARTS / CARTON BOX.

| | | | | | | |
|--|---|------------------------------|------------------|--|--------------------------------------|---------------------------|
| UNITS ENGLISH INCHES | | RoHS COMPLIANT | | MODELED BY: | | |
| DO NOT SCALE DRAWING | | PRO/E | | 1700 FINLEY RD LOMBARD, IL. 60148 | | |
| UNLESS OTHERWISE SPECIFIED: ALL DIMENSIONS ARE IN INCHES | | DESIGN ENGINEER B. KOSTIC | DATE 11/09/04 | TITLE ENCLOSURE ASSEMBLY MODICE LE | | |
| FILLET/RADIUS .02 MAX. | TOLERANCES X ± .1 XX ± .01 XXX ± .005 ANGULAR ± .5° | APPROVALS ON FILE | | MATERIAL | CONTROL SPEC NUMBER | |
| CONFIDENTIAL THIS DOCUMENT IS THE PROPERTY OF CINCH. NEITHER THIS DOCUMENT NOR ANY OF THE INFORMATION CONTAINED IN IT MAY BE DUPLICATED OR DISCLOSED WITHOUT PRIOR WRITTEN CONSENT OF CINCH. ©COPYRIGHT 2012 CINCH | | | | MATERIAL SPEC NUMBER | FINISH | PROJECT NUMBER A 14562 |
| | | | | CAD FILE NUMBER 5810160031S_JCE60 | DRAWING NUMBER 5810160031S | SHEET 1 OF 2 |
| CAGE IDENT NO. 71785 | SIZE B | SCALE 1:3 | | SHEET 1 OF 2 | | |

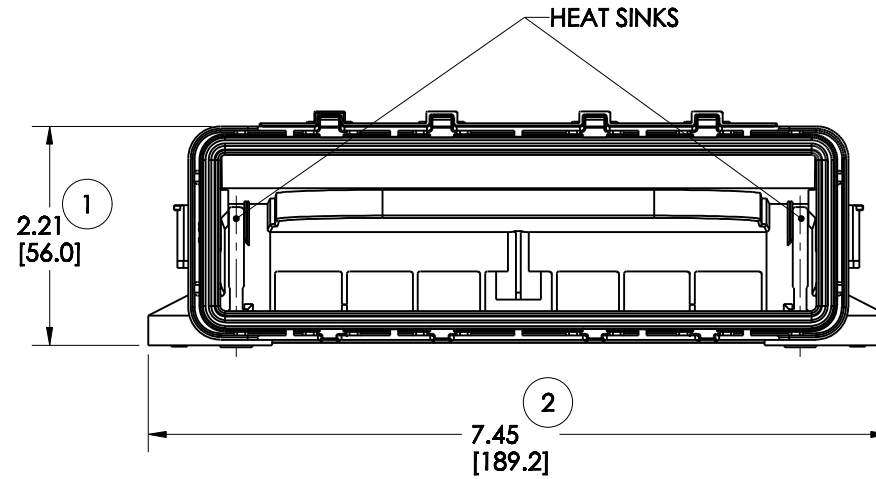
AREA SPECIFIED FOR LABELS
(APPROX. 4.00" X 3.25" MAX.)



ENCLOSURE

PERIPHERAL SEAL

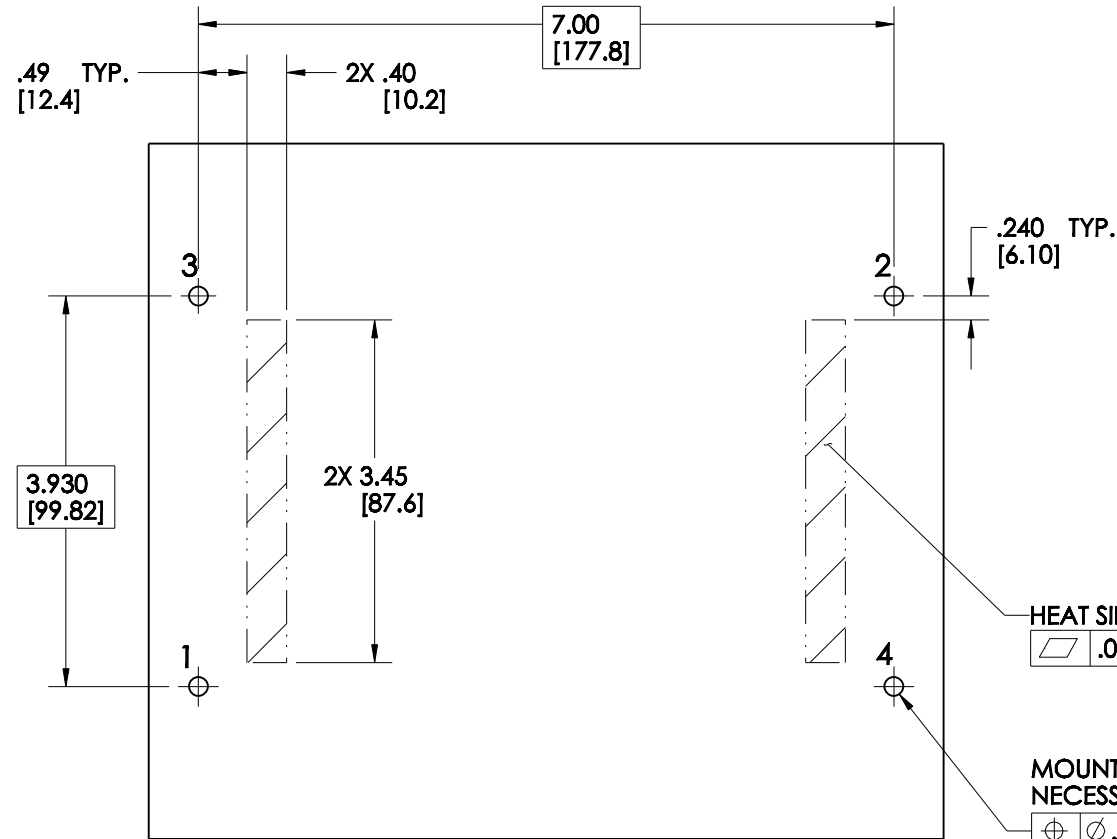
MEMBRANE VENT
(IF ENCLOSURE HAS VENT)



HEAT SINKS

2.21
[56.0]

7.45
[189.2]



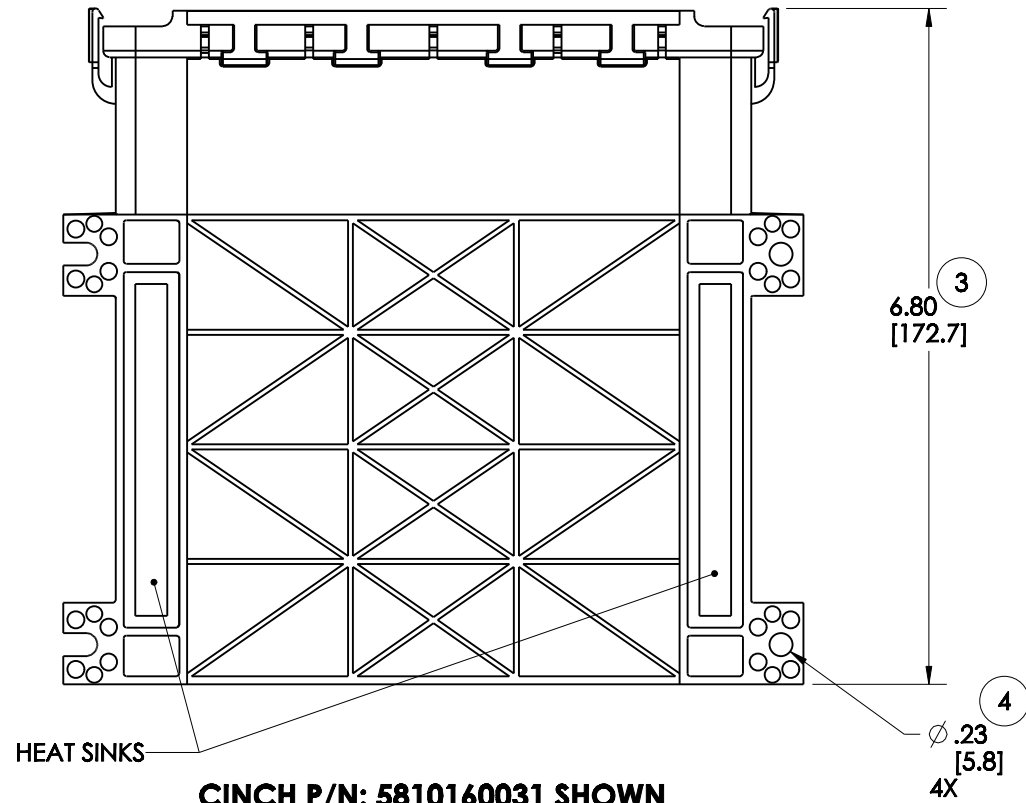
HEAT SINK CONTACT AREA
□ .005 [.12] (2X)

MOUNTING HOLES. HOLE SIZING AND / OR TAPPING AS NECESSARY FOR CUSTOMER MOUNTING HARDWARE

⊕ ∅ .005 [.12] A

FASTENERS SHOULD BE TIGHTENED BY HAND AT EACH LOCATION, APPLYING EQUAL PRESSURE AGAINST MOUNTING SURFACE IN ALL LOCATIONS, THEN TORQUE TO 10-12 IN. LB. [1.13-1.36 Nm] FOLLOWING THE PATTERN SHOWN.
TORQUE PATTERN: 1, 2, 3, 4

**MOUNTING BRACKET LAY-OUT
SCALE 1:2**



HEAT SINKS

CINCH P/N: 5810160031 SHOWN

6.80
[172.7]

∅ .23
[5.8]
4X

| | | | | | |
|--|---|--|-------------------------------|--------------------------------------|--------------|
| UNITS ENGLISH INCHES | | CINCH | | 1700 FINLEY RD LOMBARD, IL. 60148 | |
| DO NOT SCALE DRAWING | | TITLE ENCLOSURE ASSEMBLY MODICE LE | | | |
| UNLESS OTHERWISE SPECIFIED: ALL DIMENSIONS ARE IN INCHES | | PRO/E DRAWING | | | |
| FILLET/RADI .02 MAX. | TOLERANCES X ± .1 XX ± .01 XXX ± .005 ANGULAR ± .5° | CAD FILE NUMBER 5810160031S_JCE60 | DRAWING NUMBER 5810160031S | REV D | |
| CONFIDENTIAL THIS DOCUMENT IS THE PROPERTY OF CINCH. NEITHER THIS DOCUMENT NOR ANY OF THE INFORMATION CONTAINED IN IT MAY BE DUPLICATED OR DISCLOSED WITHOUT PRIOR WRITTEN CONSENT OF CINCH. ©COPYRIGHT 2012 CINCH | | CAGE IDENT NO. 71785 | SIZE B | SCALE 1:2 | SHEET 2 OF 2 |