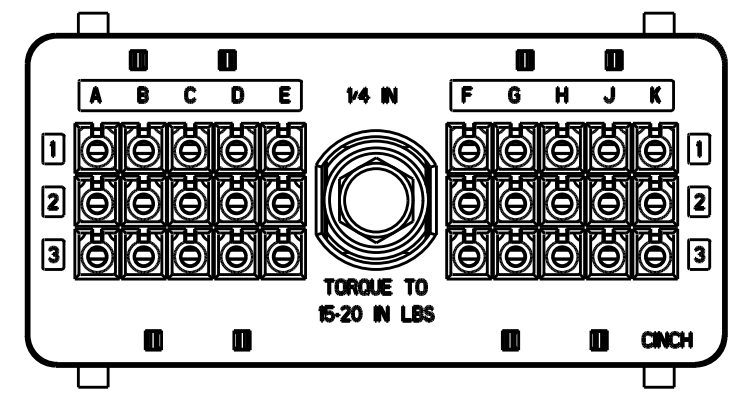
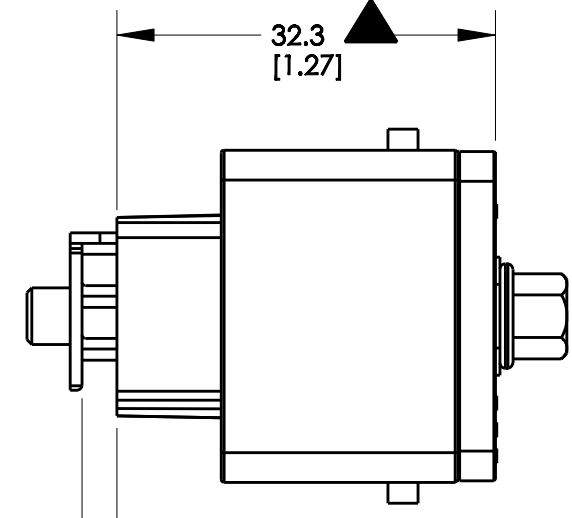
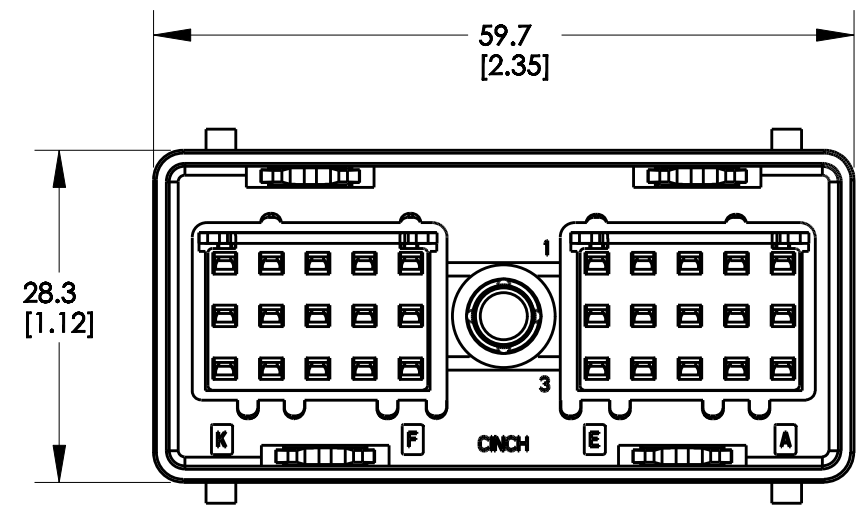


DRAWING REVISIONS (RELEASE DATE ON FILE)			
REV	DOCUMENT	APP	APPROVAL DATE
E	PER CO # 851	V.R.	02/09/10



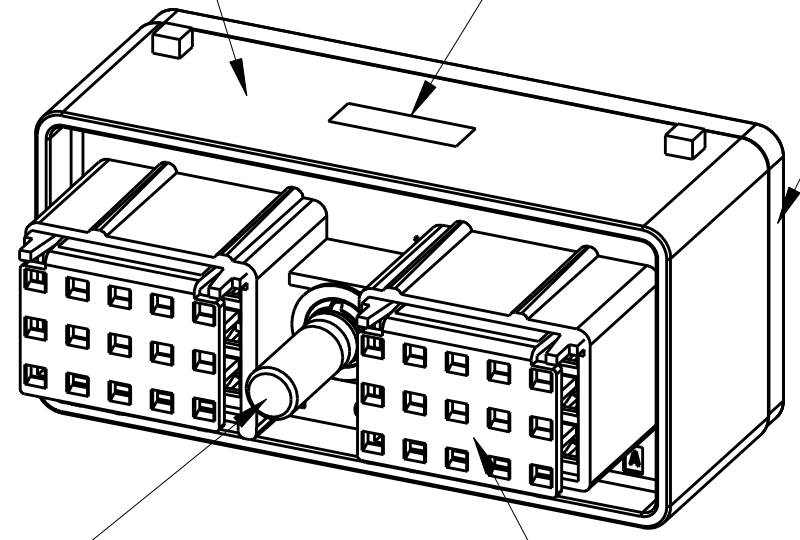
2.6 REF
[.10]
SECONDARY LOCK SHIPPED
IN PRE-STAGED POSITION

REAR VIEW

INSULATOR COLOR: WHITE
(POLYIMIDE BASED
ALLOY GLASS-FILLED)

DATE CODE

BACK PLATE
COLOR: NATURAL (WHITE)
(GLASS-FILLED POLYESTER)



SECONDARY LOCK
COLOR: WHITE
(GLASS-FILLED POLYESTER)

JACKSCREW, STEEL
10-24 UNC THREAD
(YELLOW TRIVALENT CHROMATE)

NOTES:

1. ALL DIMENSIONS ARE IN MILLIMETERS. DIMENSIONS IN [] ARE IN INCHES.
2. FOR WIRE SIZE APPLICATION, CONSULT FACTORY.
3. FEMALE TERMINAL ORDERED SEPARATELY: 425 00 00 873/872.
4. MATES WITH CINCH HEADER CONNECTOR (CONSULT FACTORY).
5. SEAL PLUG ORDERED SEPARATELY: 581 00 00 011.
6. TOLERANCES UNLESS OTHERWISE SPECIFIED:
.X ±0.5
.XX ±0.25
7. SEALING RANGE FOR WIRE INSULATION DIA.:
MAX 2.64MM (.104"), MIN 1.96MM (.077").
8. A TRIANGLE "▲" INDICATES CRITICAL FUNCTION DIMENSION.}
9. IF TIE-WRAP DRESSING CONDUCTORS, CINCH RECOMMENDS A SPACING }
OF NO LESS THAN 2 INCHES BEHIND THE BACK PLATE.

UNITS METRIC		DESIGN ENGINEER PRO/E A. CAINES		DATE 05/03/01		MODELED BY: J. DRYE	
DO NOT SCALE DRAWING <small>UNLESS OTHERWISE SPECIFIED: ALL DIMENSIONS ARE IN mm</small>		APPROVALS ON FILE		TITLE CINCH CONNECTOR ASSEMBLY SOCKET 30 POSITION			
CONFIDENTIAL <small>THIS DOCUMENT IS THE PROPERTY OF CINCH. NEITHER THIS DOCUMENT NOR ANY OF THE INFORMATION CONTAINED IN IT MAY BE DUPLICATED OR DISCLOSED WITHOUT PRIOR WRITTEN CONSENT OF CINCH. ©COPYRIGHT 2010 CINCH</small>				MATERIAL SEE VIEW		CONTROL SPEC NUMBER POLAR D	
				MATERIAL SPEC NUMBER -		PROJECT NUMBER A14243	
CAGE IDENT NO. 71785		SIZE B		DRAWING NUMBER 5810130030S		SCALE 1.500	
				SHEET 1 OF 1			