

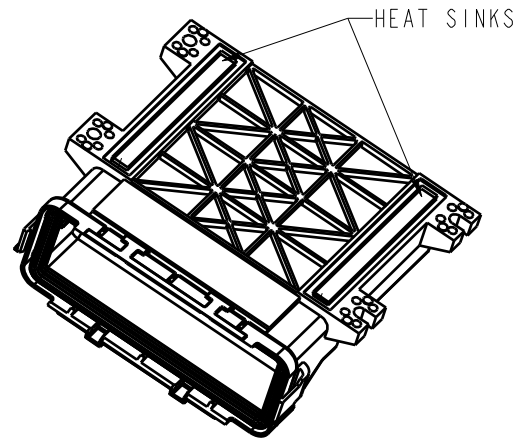
CINCH PART NUMBER MATRIX

DRAWING REVISIONS

REV	DOCUMENT	APP	DATE
A	REL. FOR PRODUCTION D.O. 05-1157	A.C.	7/21/05
B	ECN: 05A467 SHROUD MODIFIED	A.C.	9/27/05
C	ECN: 06A148 MOD. NOTE 4, A8 MOD. HOLE CALLOUT, A5 ADDED TORQUE PATTERN NOTE ADDED TORQUE SPEC. NOTE B1; RE-DIMENSIONED PART TO 5.295, WAS 5.26	A.C.	5/1/06
D	ECN: 07A548 ADDED PART NUMBERS: 581 01 30 057 581 01 30 058 581 01 30 059 ONE HEAT SINK VERSIONS NOW USE SPACER; REVISED TORQUE NOTE	A.C.	2/22/08

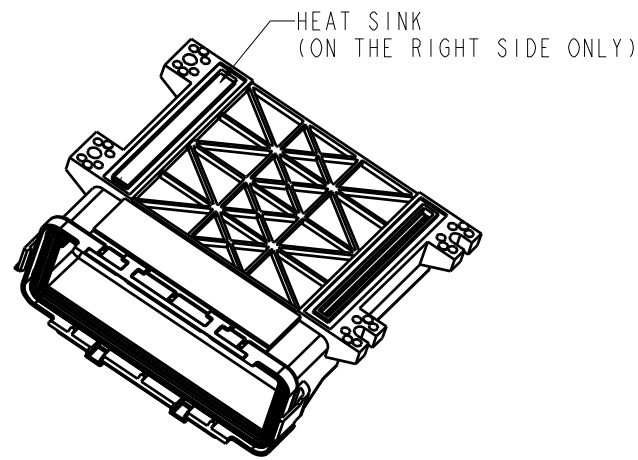
P/N: 581 01 30 041

ENCLOSURE WITH TWO HEAT SINKS



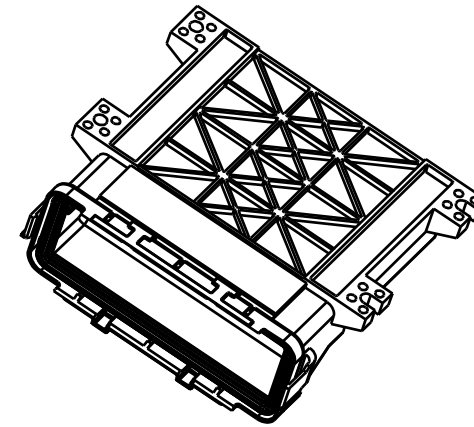
P/N: 581 01 30 042

ENCLOSURE WITH ONE HEAT SINK



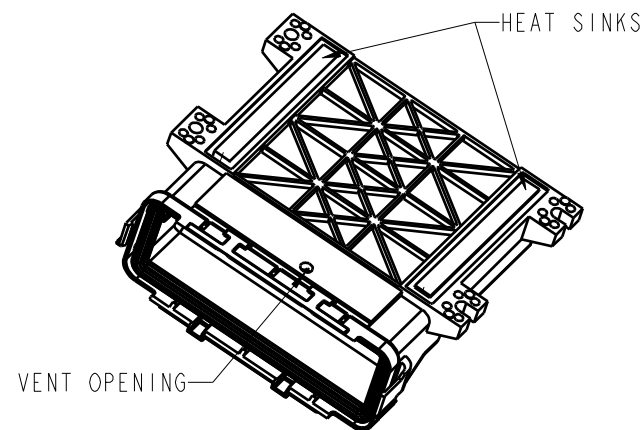
P/N: 581 01 30 043

ENCLOSURE WITHOUT HEAT SINKS



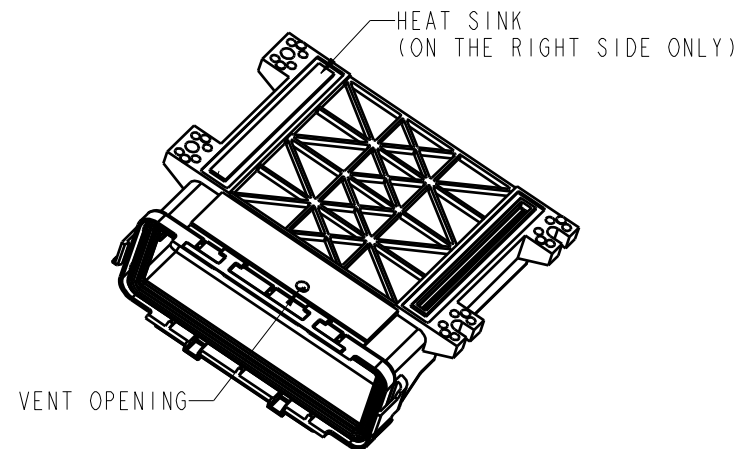
P/N: 581 01 30 057

ENCLOSURE WITH TWO HEAT SINKS & MEMBRANE VENT



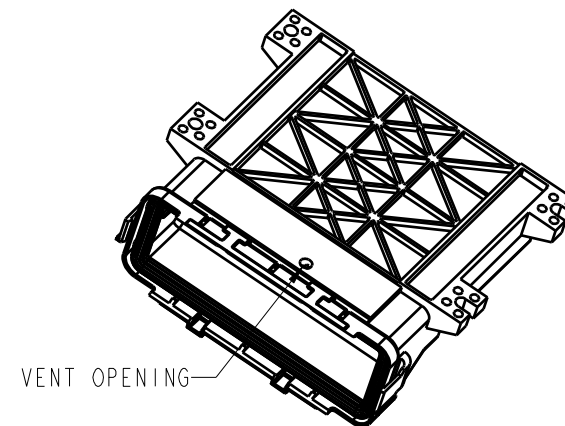
P/N: 581 01 30 058

ENCLOSURE WITH ONE HEAT SINK & MEMBRANE VENT



P/N: 581 01 30 059

ENCLOSURE WITHOUT HEAT SINKS & MEMBRANE VENT



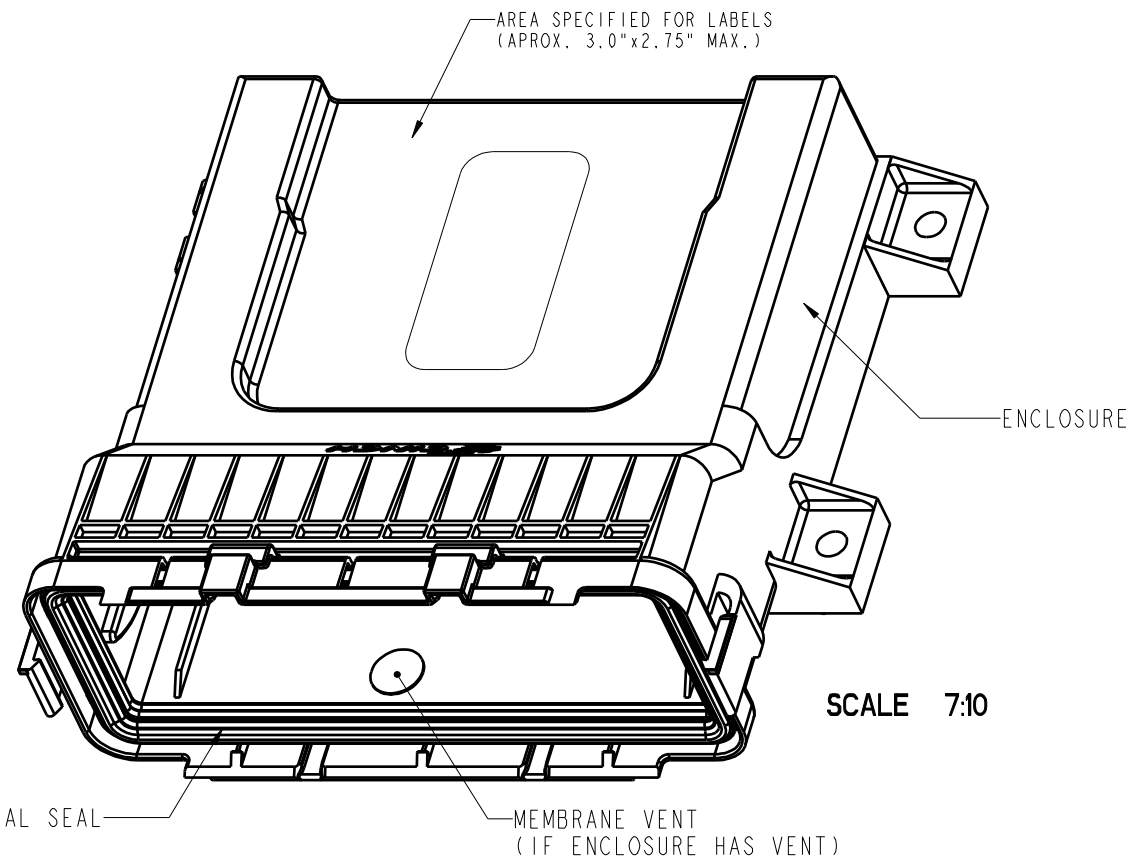
NOTE:

- ALL DIMENSIONS ARE IN INCHES; DIMENSIONS IN [.XX] ARE IN mm AS REF. ONLY.
- MATERIALS:
ENCLOSURE: 30 % GLASS FILLED POLYMER, COLOR BLACK;
PERIPHERAL SEAL: SILICONE RUBBER, COLOR BLUE.
HEAT SINK: ANODIZED ALUMINUM ALLOY.
- HEADERS ARE SOLD SEPARATELY (CONSULT FACTORY FOR P/N);
FOR PCB SIZE AND REQUIREMENTS REFER TO HEADER DRAWINGS.
- STANDARD PACKAGE SIZE: 21 PARTS / CARTON BOX.

RoHS COMPLIANT

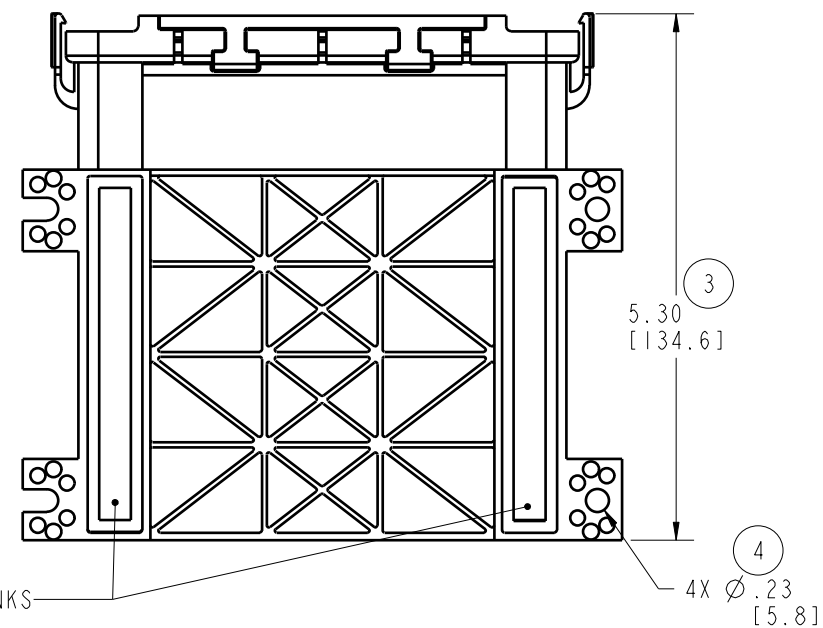
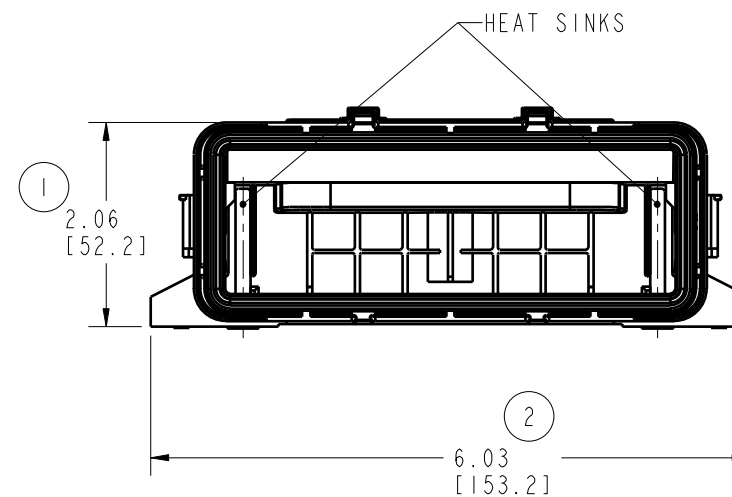
MODELED BY:
B.K.

UNITS	ENGLISH	PRO/E	Cinch	
DO NOT SCALE DRAWING	DRAWN BY B. KOSTIC	DATE 09/14/04	ENCLOSURE ASSEMBLY MODICE SE	
UNLESS OTHERWISE SPECIFIED: ALL DIMENSIONS ARE IN INCHES	DESIGN ENGINEER B. KOSTIC	09/14/04	MATERIAL SEE NOTE 2.	CONTROL SPEC NUMBER
FILLET/RADII .02 MAX	DESIGN ENGINEERING MGR. A. CAINES	10/15/04	MATERIAL SPEC NUMBER	FINISH
TOLERANCES AND LIMITS APPLY OVER ADDITIVE FINISH	MFG. ENGINEERING R. GARZA	10/28/04	CAD FILE NUMBER 5810130041S_ICE30	DRAWING NUMBER 581 01 30 041S
	QUALITY ASSURANCE R. QUIROZ	10/28/04	CAGE IDENT NO. SIZE 71785 B	SCALE 3:10
				SHEET 1 OF 2

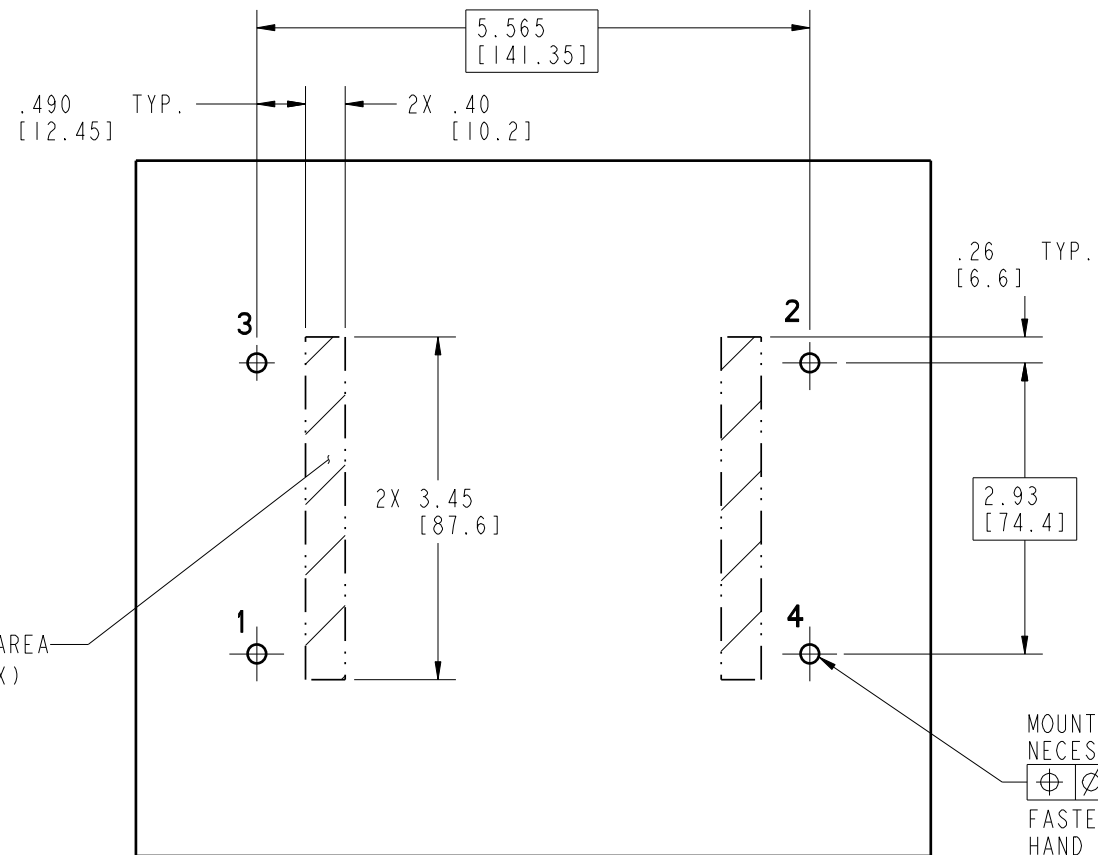


SCALE 7:10

PERIPHERAL SEAL
MEMBRANE VENT
(IF ENCLOSURE HAS VENT)



CINCH P/N: 581 01 30 041 SHOWN



HEAT SINK CONTACT AREA
.005 [0.12] (2X)

MOUNTING BRACKET LAY-OUT

MOUNTING HOLES. HOLE SIZING AND / OR TAPPING AS NECESSARY FOR CUSTOMER MOUNTING HARDWARE

$\text{⌀} \text{ } \text{⌀}.005 \text{ [0.12]} \text{ A}$

FASTENERS SHOULD BE TIGHTENED BY HAND AT EACH LOCATION, APPLYING EQUAL PRESSURE AGAINST MOUNTING SURFACE IN ALL LOCATIONS, THEN TORQUE TO 10-12 IN. LB. [1.13-1.36 Nm] FOLLOWING THE PATTERN SHOWN.
TORQUE PATTERN: 1, 2, 3, 4

UNITS ENGLISH		Cinch		1700 FINLEY RD. LOMBARD, IL. 60148	
DO NOT SCALE DRAWING		TITLE ENCLOSURE ASSEMBLY MODICE SE			
UNLESS OTHERWISE SPECIFIED: ALL DIMENSIONS ARE IN INCHES		PRO/E DRAWING			
FILLET/RADII .02 MAX	TOLERANCES .X ± .1 .XX ± .01 .XXX ± .005 ANGULAR ± .5°	CAD FILE NUMBER 5810130041S_ICE30	DRAWING NUMBER 581 01 30 041S	REV D	
THIS DOCUMENT IS THE PROPERTY OF CINCH. NEITHER THIS DOCUMENT NOR ANY OF THE INFORMATION CONTAINED IN IT MAY BE DUPLICATED OR DISCLOSED WITHOUT PRIOR WRITTEN CONSENT OF CINCH.		CAGE IDENT NO. SIZE 71785 B	SCALE 1:2	SHEET 2 OF 2	