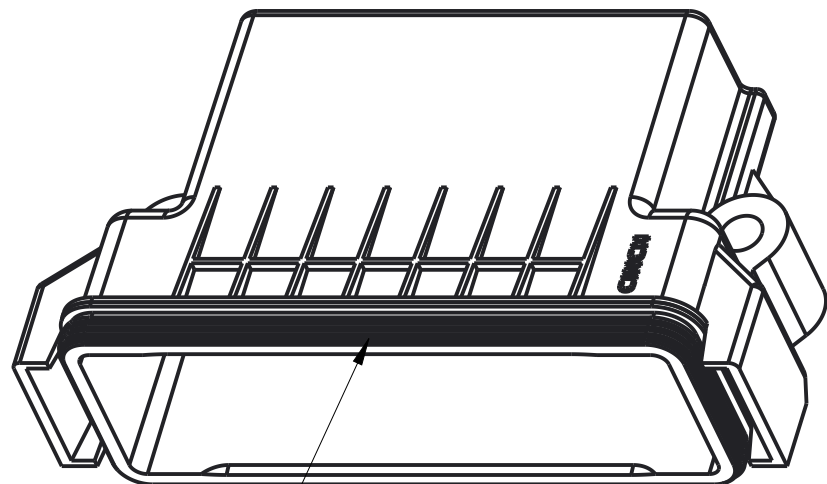


# CINCH PART NUMBER MATRIX

P/N: 581 01 30 090

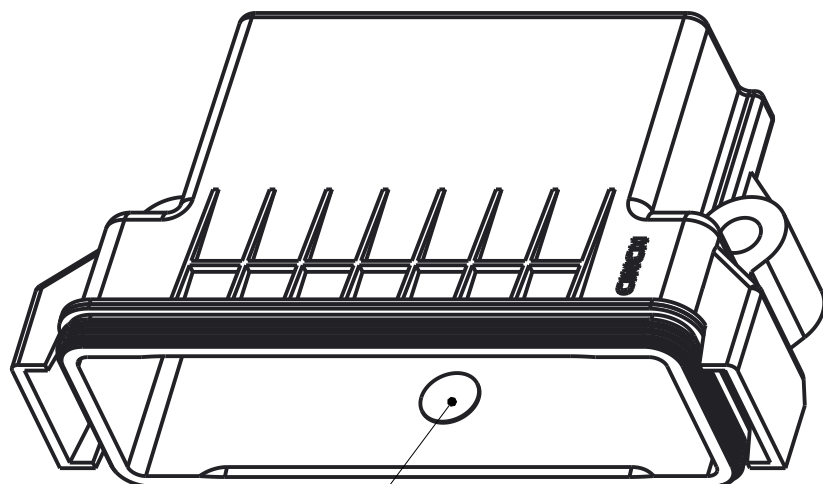
STANDARD ENCLOSURE



PERIPHERAL SEAL

P/N: 581 01 30 095

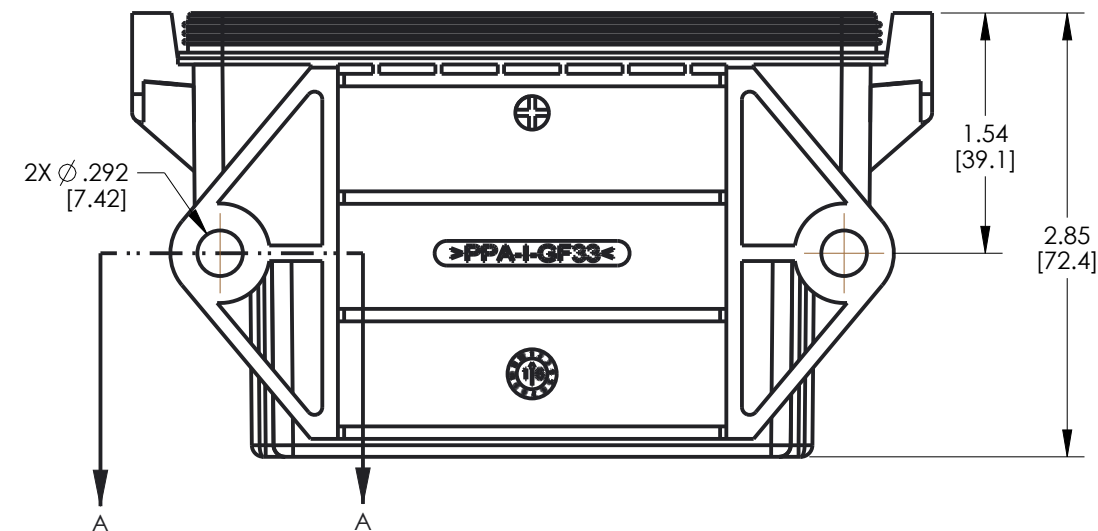
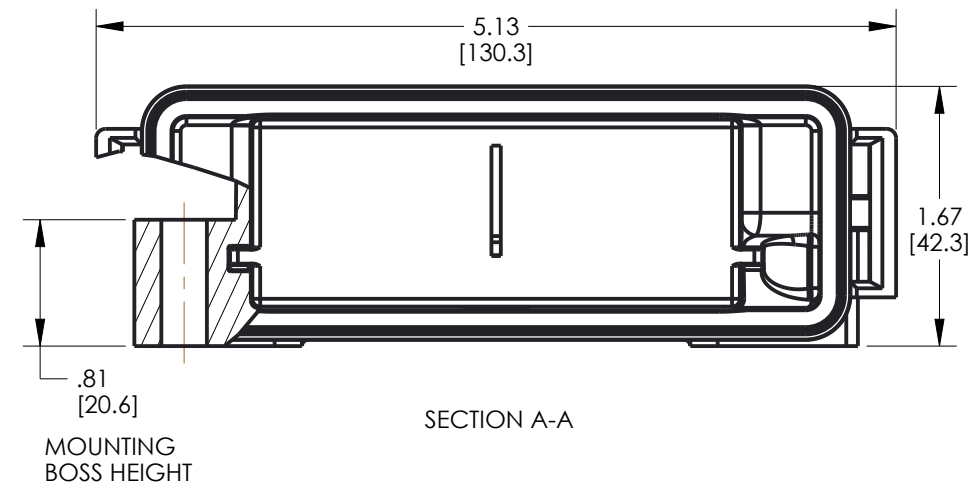
ENCLOSURE WITH BREATHER VENT



BREATHER VENT

## DRAWING REVISIONS (RELEASE DATE ON FILE)

REV	DOCUMENT	APP	APPROVAL DATE
A	INITIAL	JT	12/13/2016



### NOTES:

- ALL DIMENSIONS ARE IN INCHES; DIMENSIONS IN [XX] ARE IN mm AS REFERENCE ONLY
- MATERIALS: (ROHS COMPLIANT)  
ENCLOSURE: 33% GLASS FILLED POLYMER, COLOR BLACK;  
PERIPHERAL SEAL: SILICONE RUBBER, COLOR BLUE
- HEADERS ARE SOLD SEPARATELY (CONSULT FACTORY FOR P/N);  
FOR PCB SIZE AND REQUIREMENTS REFER TO HEADER DRAWINGS.
- FASTENERS SHOULD BE TIGHTENED BY HAND AT EACH LOCATION,  
APPLYING EQUAL PRESSURE AGAINST MOUNTING SURFACE, THEN TORQUE  
TO 10-12 IN. LB. [1.13-1.36 Nm]

UNITS <b>ENGLISH INCHES</b>		DESIGN ENGINEER A.PONCE	DATE 12/2/2016			MODELED BY: PONCE 1700 FINLEY RD LOMBARD, IL 60148	
DO NOT SCALE DRAWING		UNLESS OTHERWISE SPECIFIED: ALL DIMENSIONS ARE IN INCHES FILLET/RADIUS .02 MAX. TOLERANCES .X ± .1 .XX ± .01 .XXX ± .005 ANGULAR ± .5°		TITLE <b>MODICE MINI ME (MME) ENCLOSURE ASSEMBLY</b>		CONTROL SPEC NUMBER	
CONFIDENTIAL THIS DOCUMENT IS THE PROPERTY OF CINCH. NEITHER THIS DOCUMENT NOR ANY OF THE INFORMATION CONTAINED IN IT MAY BE DUPLICATED OR DISCLOSED WITHOUT PRIOR WRITTEN CONSENT OF CINCH. ©COPYRIGHT 2012 CINCH				APPROVALS ON FILE		MATERIAL SEE NOTE 2	
CAD FILE NUMBER 5810130090S		DRAWING NUMBER <b>581 01 30 090S</b>		MATERIAL SPEC NUMBER		PROJECT NUMBER A15135	
CAGE IDENT NO. 71785	SIZE B	SCALE 1:1		SHEET 1 OF 1			