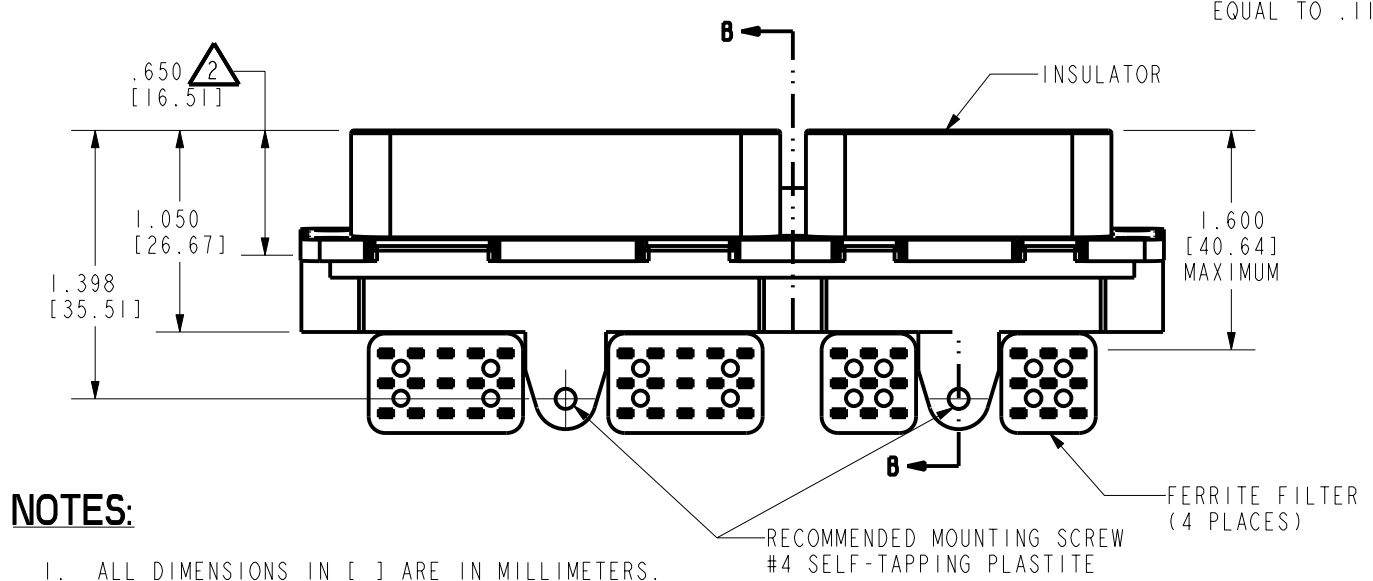


SECTION A-A



SECTION B-B

RECOMMENDED MOUNTING SCREW #4-20(SH) SELF-TAPPING PLASTITE .50[12.7] ONLY IF MOUNTING MODULE WALL THICKNESS IS LESS THAN OR EQUAL TO .118[3]

NOTES:

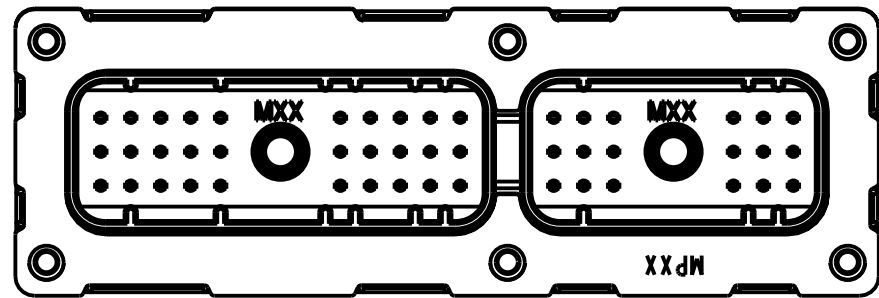
1. ALL DIMENSIONS IN [] ARE IN MILLIMETERS.
2. .650 [16.51] TO BE MEASURED AT THE CENTER OF WIDTH OF CONNECTOR.
3. MATERIAL:
 TERMINAL BLADE: BRASS WITH TIN-LEAD OVER NICKEL PLATING.
 JACKSCREW BUSHING: BRASS, UNPLATED.
 INSULATOR: 30% GLASS FILLED PBT POLYESTER.
 PANEL SEAL: SILICON RUBBER COLOR: BLUE.
 INTERFACE SEAL: SILICON RUBBER COLOR: BLUE.
4. SOLDERABILITY MEETS USCAR 5.4.1.
5. MATES WITH CINCH PUSH-TO SEAT HARNESS CONNECTOR (CONSULT FACTORY).
6. STANDARD CELL PACK, QUANTITY 75 PIECES.
7. RECOMMENDED TORQUE:
 JACKSCREW 15-20 INLBS [1.7-2.3 Nm]
 PANEL SCREW 8.5±0.5 INLBS [0.9±0.1 Nm]
 PCB RETENTION SCREW 2-3 INLBS [0.23-0.34 Nm]

DRAWING REVISIONS

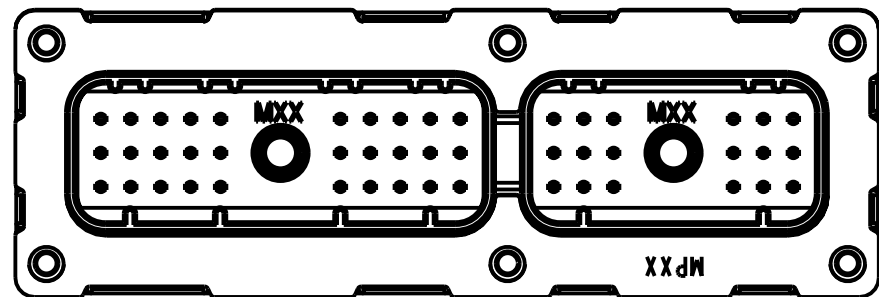
REV	DOCUMENT	APP	DATE
A	RELEASED	JOD	05/11/97
B	ADD: ONLY IF... CHG: PANEL SCREW 8.5±0.5 PER ECN#01A682		

UNITS	ENGLISH	PRO/E	Cinch		1700 FINLEY RD LOMBARD, IL. 60148
DO NOT SCALE DRAWING	DRAWN BY T. RANDAZZO	DATE 07/16/93	TITLE CONNECTOR ASSEMBLY, RECEPTACLE 48 POSITION		
	DESIGN ENGINEER T. RANDAZZO	07/16/93	MATERIAL		CONTROL SPEC NUMBER
	DESIGN ENGINEERING MGR. A. SHAH	02/02/94	MATERIAL SPEC NUMBER	FINISH	PROJECT NUMBER C13841
THIS DOCUMENT IS THE PROPERTY OF CINCH. NEITHER THIS DOCUMENT NOR ANY OF THE INFORMATION CONTAINED IN IT MAY BE DUPLICATED OR DISCLOSED WITHOUT PRIOR WRITTEN CONSENT OF CINCH.	MFG. ENGINEERING J. ROUSSEAU	05/17/94	CAD FILE NUMBER 5810148001S	DRAWING NUMBER 581 01 48 001S	
	QUALITY ASSURANCE R. SCHLACKS	05/18/94	CAGE IDENT NO. SIZE 71785 B	SCALE 1.000	SHEET 1 OF 2

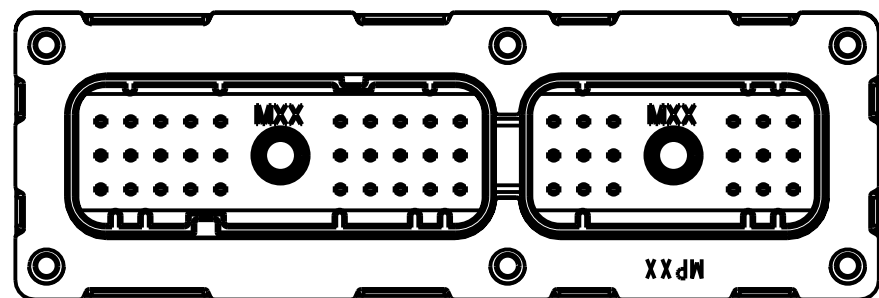
MODELED BY:
J. DRYE



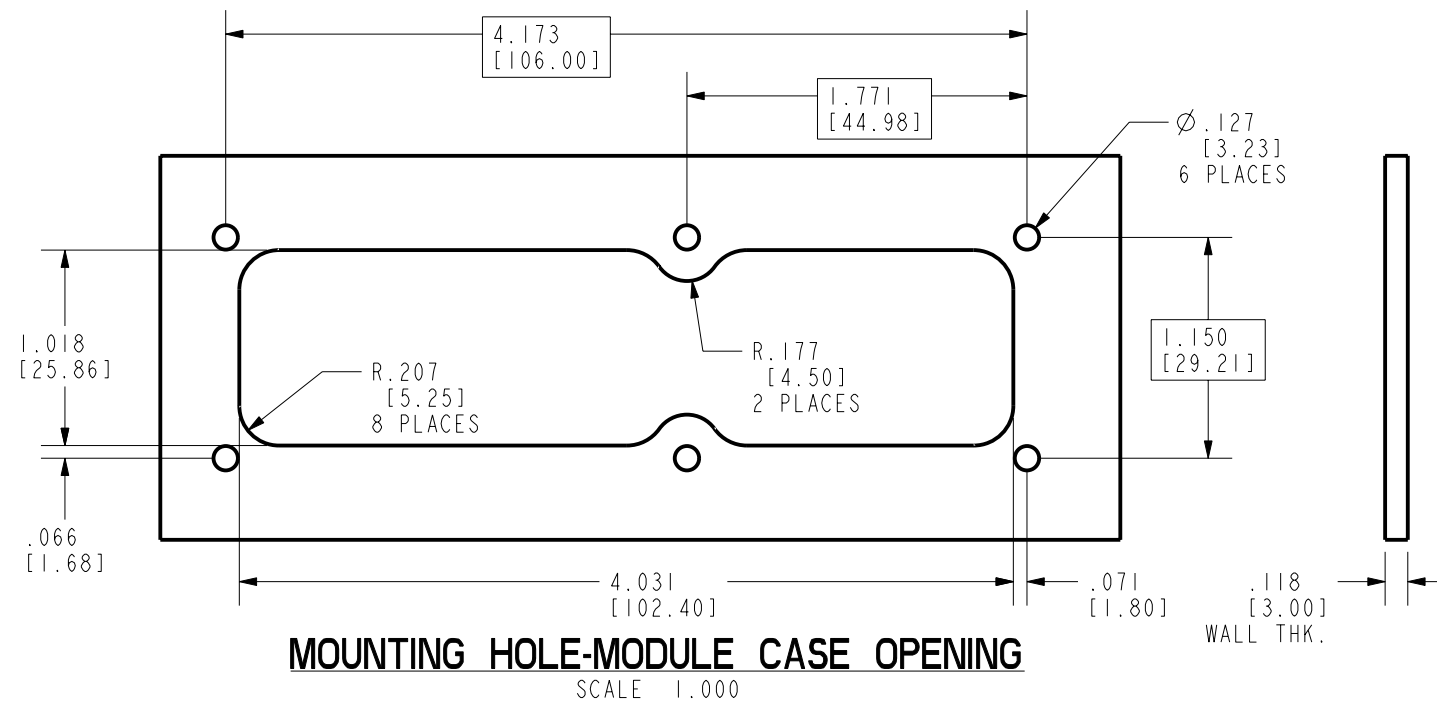
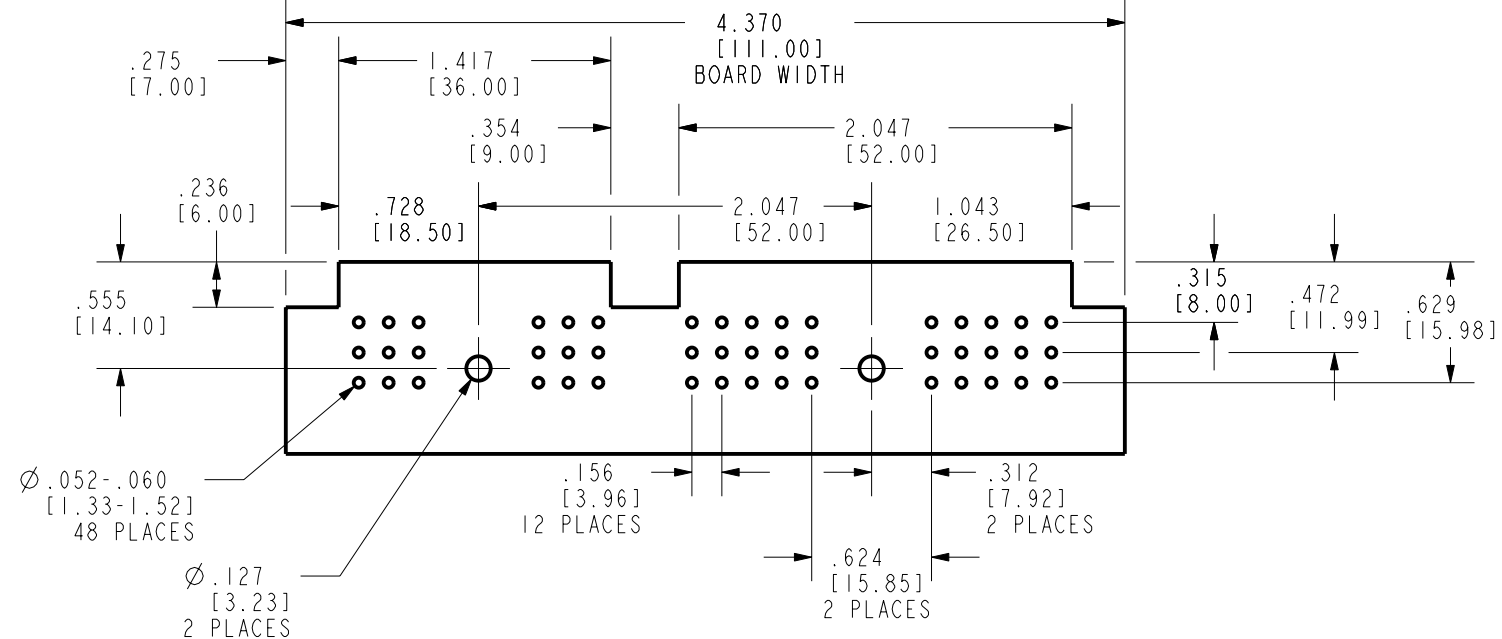
POLARIZATION A
581 01 48 001
HOUSING COLOR : BLACK



POLARIZATION B
581 01 48 002
HOUSING COLOR : NATURAL



POLARIZATION C
581 01 48 003
HOUSING COLOR : GRAY



UNITS ENGLISH	Cinch		1700 FINLEY RD LOMBARD, IL. 60148
DO NOT SCALE DRAWING	TITLE CONNECTOR ASSEMBLY, RECEPTACLE 48 POSITION		
	PRO/E DRAWING		
THIS DOCUMENT IS THE PROPERTY OF CINCH. NEITHER THIS DOCUMENT NOR ANY OF THE INFORMATION CONTAINED IN IT MAY BE DUPLICATED OR DISCLOSED WITHOUT PRIOR WRITTEN CONSENT OF CINCH.	CAD FILE NUMBER 5810148001S	DRAWING NUMBER 581 01 48 001S	REV B
	CAGE IDENT NO. SIZE 71785 B	SCALE 1.000	SHEET 2 OF 2