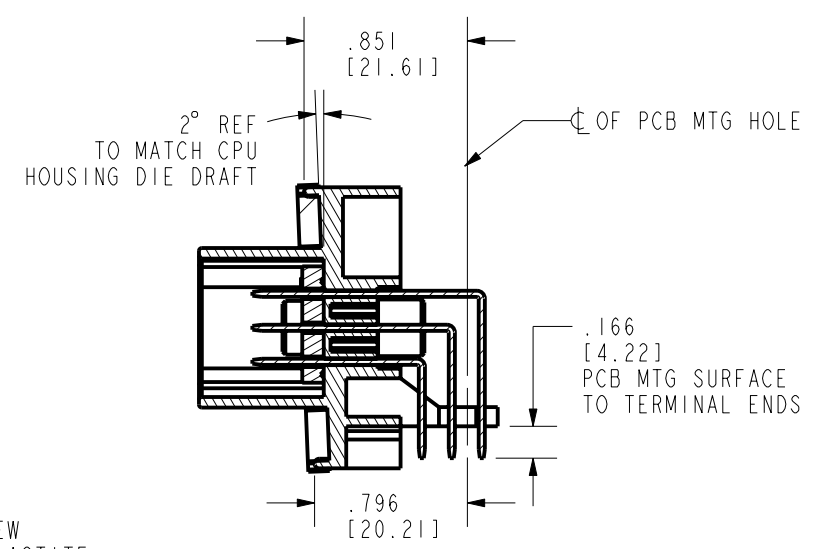


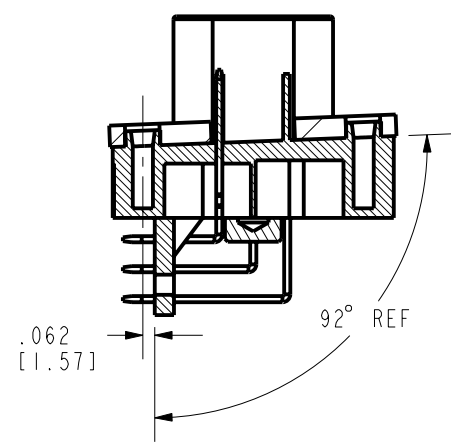
**NOTES:**

- ALL DIMENSIONS IN [ ] ARE IN MILLIMETERS.
- .650 [16.51] TO BE MEASURED AT THE CENTER OF WIDTH OF CONNECTOR.
- MATERIAL:  
 TERMINAL BLADE: BRASS WITH TIN-LEAD OVER NICKEL PLATING.  
 JACKSCREW BUSHING: BRASS, UNPLATED.  
 INSULATOR: 30% GLASS FILLED PBT POLYESTER.  
 PANEL SEAL: SILICON RUBBER COLOR: BLUE.  
 INTERFACE SEAL: SILICON RUBBER COLOR: BLUE.
- SOLDERABILITY MEETS USCAR 5.4.1.
- MATES WITH CINCH PUSH-TO SEAT HARNESS CONNECTOR (CONSULT FACTORY).
- STANDARD CELL PACK, QUANTITY 75 PIECES.
- RECOMMENDED TORQUE:  
 JACKSCREW 15-20 INLBS [1.7-2.3 Nm]  
 PANEL SCREW 8.5±0.5 INLBS [0.9±0.1 Nm]  
 PCB RETENTION SCREW 2-3 INLBS [0.23-0.34 Nm]

RECOMMENDED MOUNTING SCREW  
 #4-20(SH) SELF-TAPPING PLASTITE  
 .50[12.7] ONLY IF MOUNTING MODULE  
 WALL THICKNESS IS LESS THAN OR  
 EQUAL TO .118[3]



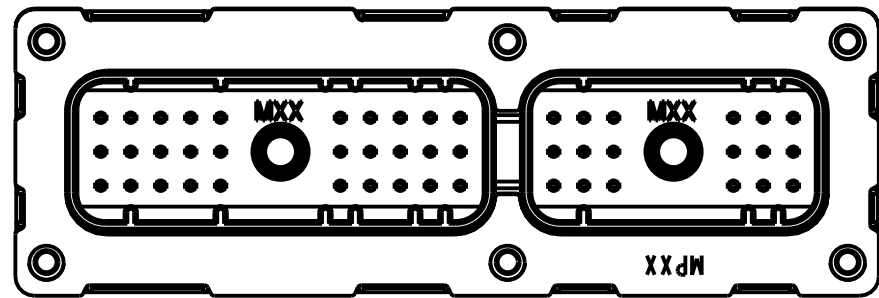
**SECTION A-A**



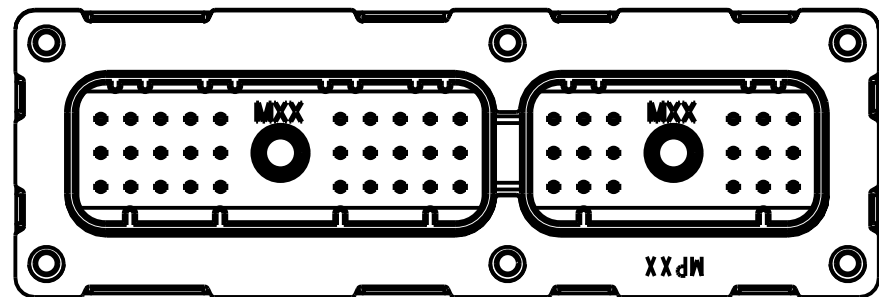
**SECTION B-B**

DRAWING REVISIONS			
REV	DOCUMENT	APP	DATE
A	RELEASED	AC	11/16/01

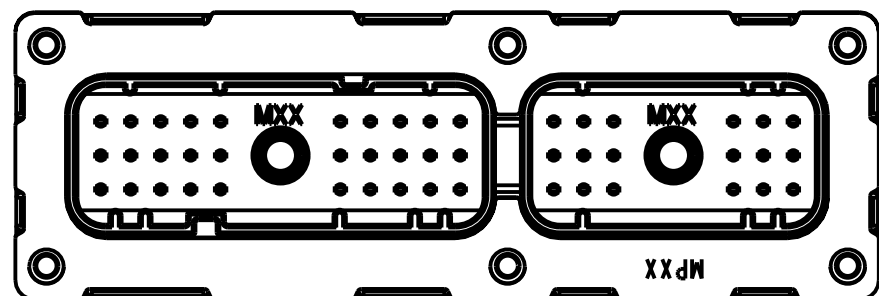
UNITS <b>ENGLISH</b>			<b>PRO/E</b>		<b>Cinch</b>		1700 FINLEY RD LOMBARD, IL. 60148	
DO NOT SCALE DRAWING		DRAWN BY J. TOBACK	DATE 11/16/01		TITLE CONNECTOR ASSEMBLY, RECEPTACLE 48 POSITION			
THIS DOCUMENT IS THE PROPERTY OF CINCH. NEITHER THIS DOCUMENT NOR ANY OF THE INFORMATION CONTAINED IN IT MAY BE DUPLICATED OR DISCLOSED WITHOUT PRIOR WRITTEN CONSENT OF CINCH.		DESIGN ENGINEER J. TOBACK	DATE 11/16/01		MATERIAL		CONTROL SPEC NUMBER	
		DESIGN ENGINEERING MGR. A. CAINES	DATE 11/16/01		MATERIAL SPEC NUMBER		FINISH	
		MFG. ENGINEERING P. WALTHALL	DATE 12/06/01		CAD FILE NUMBER 5810148011S		DRAWING NUMBER <b>581 01 48 011S</b>	
		QUALITY ASSURANCE T. SHAH	DATE 12/06/01		CAGE IDENT NO. SIZE <b>71785 B</b>		SCALE 1:1	
						SHEET 1 OF 2		



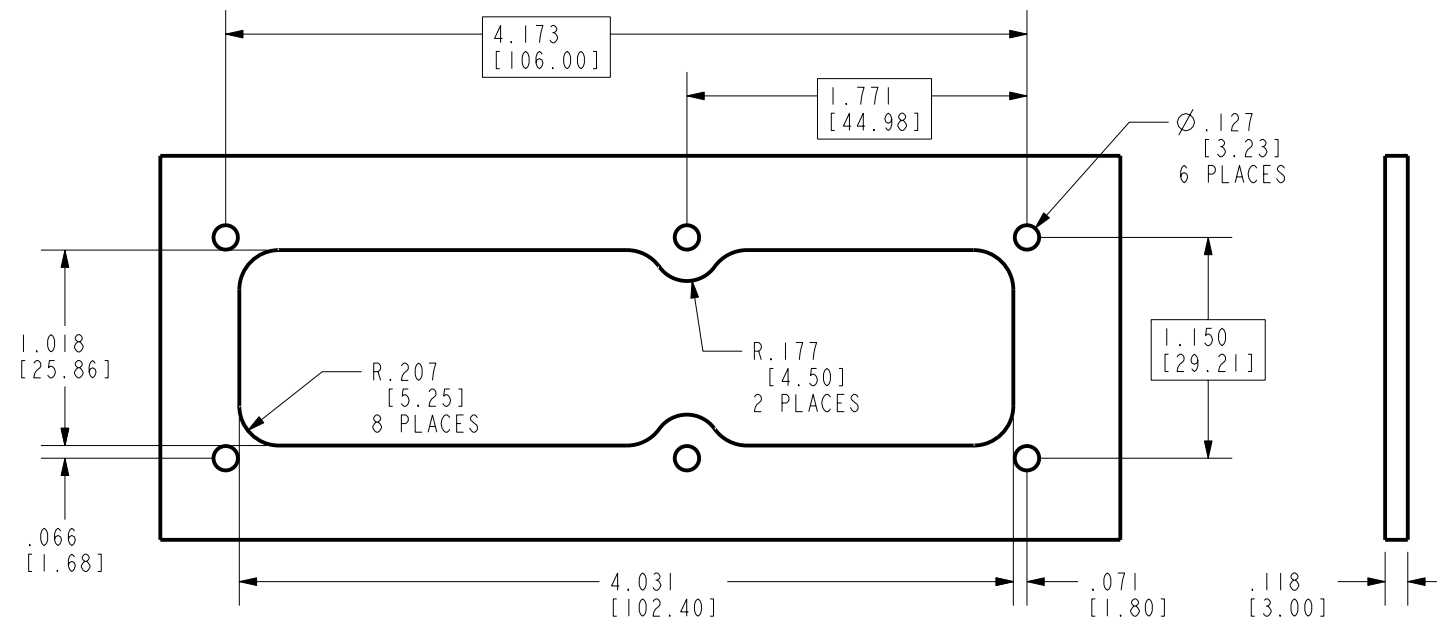
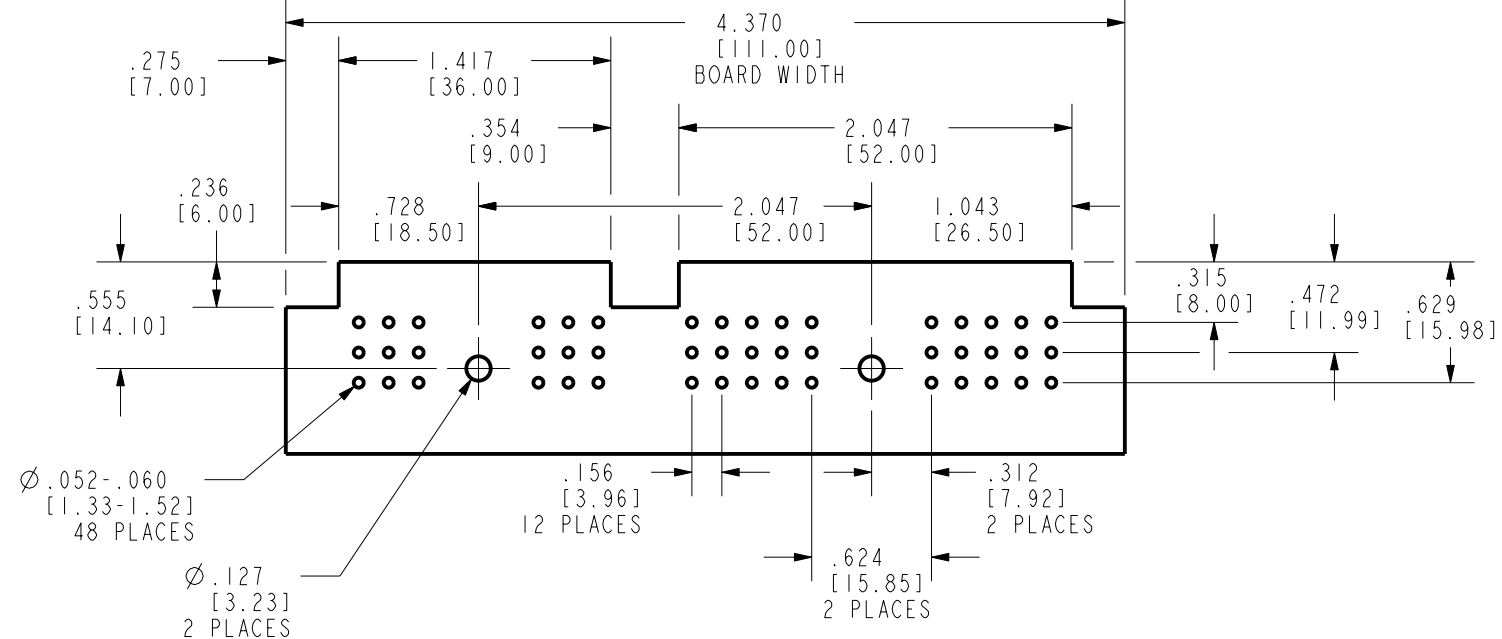
**POLARIZATION A**  
581 01 48 011  
HOUSING COLOR : BLACK



**POLARIZATION B**  
581 01 48 012  
HOUSING COLOR : NATURAL



**POLARIZATION C**  
581 01 48 013  
HOUSING COLOR : GRAY



UNITS	ENGLISH		Cinch		1700 FINLEY RD LOMBARD, IL. 60148
DO NOT SCALE DRAWING			TITLE		
			CONNECTOR ASSEMBLY, RECEPTACLE 48 POSITION		
			PRO/E DRAWING		
CAD FILE NUMBER		DRAWING NUMBER		REV	
5810148011S		581 01 48 011S		A	
CAGE IDENT NO.   SIZE		SCALE		SHEET 2 OF 2	
71785   B		1:1			
THIS DOCUMENT IS THE PROPERTY OF CINCH. NEITHER THIS DOCUMENT NOR ANY OF THE INFORMATION CONTAINED IN IT MAY BE DUPLICATED OR DISCLOSED WITHOUT PRIOR WRITTEN CONSENT OF CINCH.					