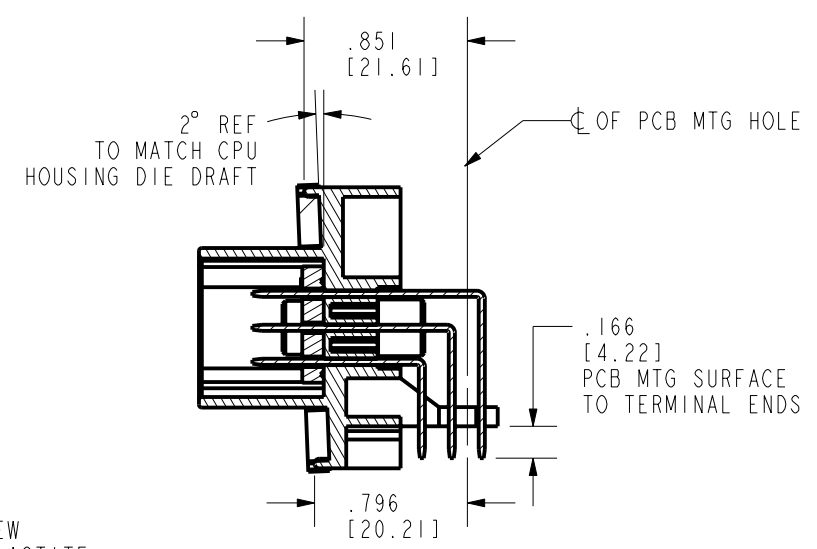


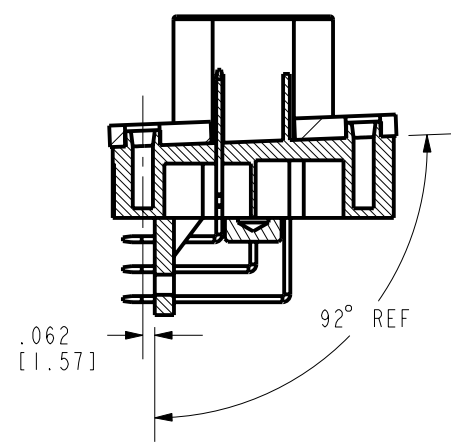
NOTES:

- ALL DIMENSIONS IN [] ARE IN MILLIMETERS.
- .650 [16.51] TO BE MEASURED AT THE CENTER OF WIDTH OF CONNECTOR.
- MATERIAL:
 TERMINAL BLADE: BRASS WITH TIN-LEAD OVER NICKEL PLATING.
 JACKSCREW BUSHING: BRASS, UNPLATED.
 INSULATOR: 30% GLASS FILLED PBT POLYESTER.
 PANEL SEAL: SILICON RUBBER COLOR: BLUE.
 INTERFACE SEAL: SILICON RUBBER COLOR: BLUE.
- SOLDERABILITY MEETS USCAR 5.4.1.
- MATES WITH CINCH PUSH-TO SEAT HARNESS CONNECTOR (CONSULT FACTORY).
- STANDARD CELL PACK, QUANTITY 75 PIECES.
- RECOMMENDED TORQUE:
 JACKSCREW 15-20 INLBS [1.7-2.3 Nm]
 PANEL SCREW 8.5±0.5 INLBS [0.9±0.1 Nm]
 PCB RETENTION SCREW 2-3 INLBS [0.23-0.34 Nm]

RECOMMENDED MOUNTING SCREW
 #4-20(SH) SELF-TAPPING PLASTITE
 .50[12.7] ONLY IF MOUNTING MODULE
 WALL THICKNESS IS LESS THAN OR
 EQUAL TO .118[3]



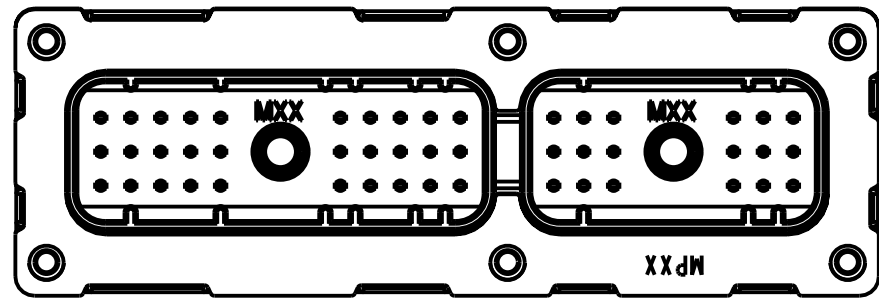
SECTION A-A



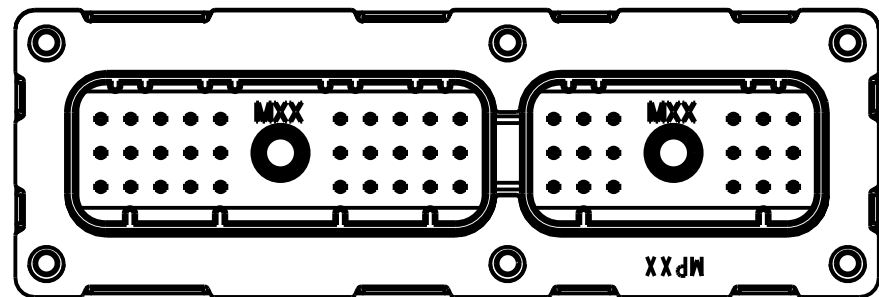
SECTION B-B

DRAWING REVISIONS			
REV	DOCUMENT	APP	DATE
A	RELEASED	AC	11/16/01

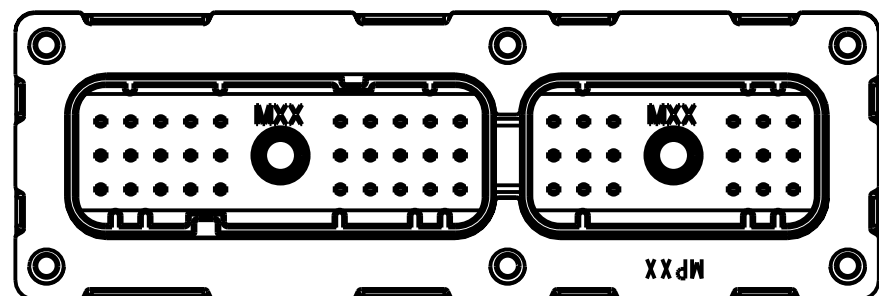
UNITS ENGLISH			PRO/E		Cinch		1700 FINLEY RD LOMBARD, IL. 60148	
DO NOT SCALE DRAWING		DRAWN BY J. TOBACK		DATE 11/16/01		TITLE CONNECTOR ASSEMBLY, RECEPTACLE 48 POSITION		
THIS DOCUMENT IS THE PROPERTY OF CINCH. NEITHER THIS DOCUMENT NOR ANY OF THE INFORMATION CONTAINED IN IT MAY BE DUPLICATED OR DISCLOSED WITHOUT PRIOR WRITTEN CONSENT OF CINCH.		DESIGN ENGINEER J. TOBACK		DATE 11/16/01		MATERIAL		CONTROL SPEC NUMBER
		DESIGN ENGINEERING MGR. A. CAINES		DATE 11/16/01		MATERIAL SPEC NUMBER		FINISH
		MFG. ENGINEERING P. WALTHALL		DATE 12/06/01		CAD FILE NUMBER 5810148011S		DRAWING NUMBER 581 01 48 011S
		QUALITY ASSURANCE T. SHAH		DATE 12/06/01		CAGE IDENT NO. SIZE 71785 B		SCALE 1:1
							PROJECT NUMBER C13184	
							SHEET 1 OF 2	



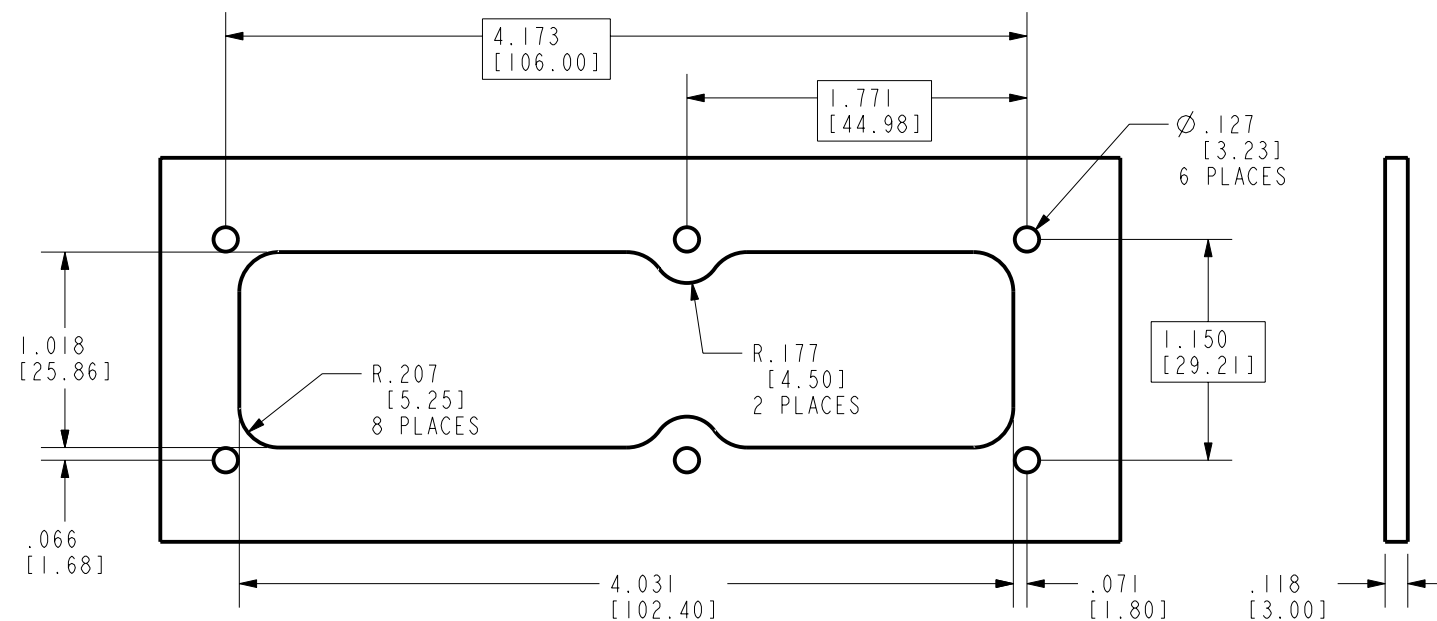
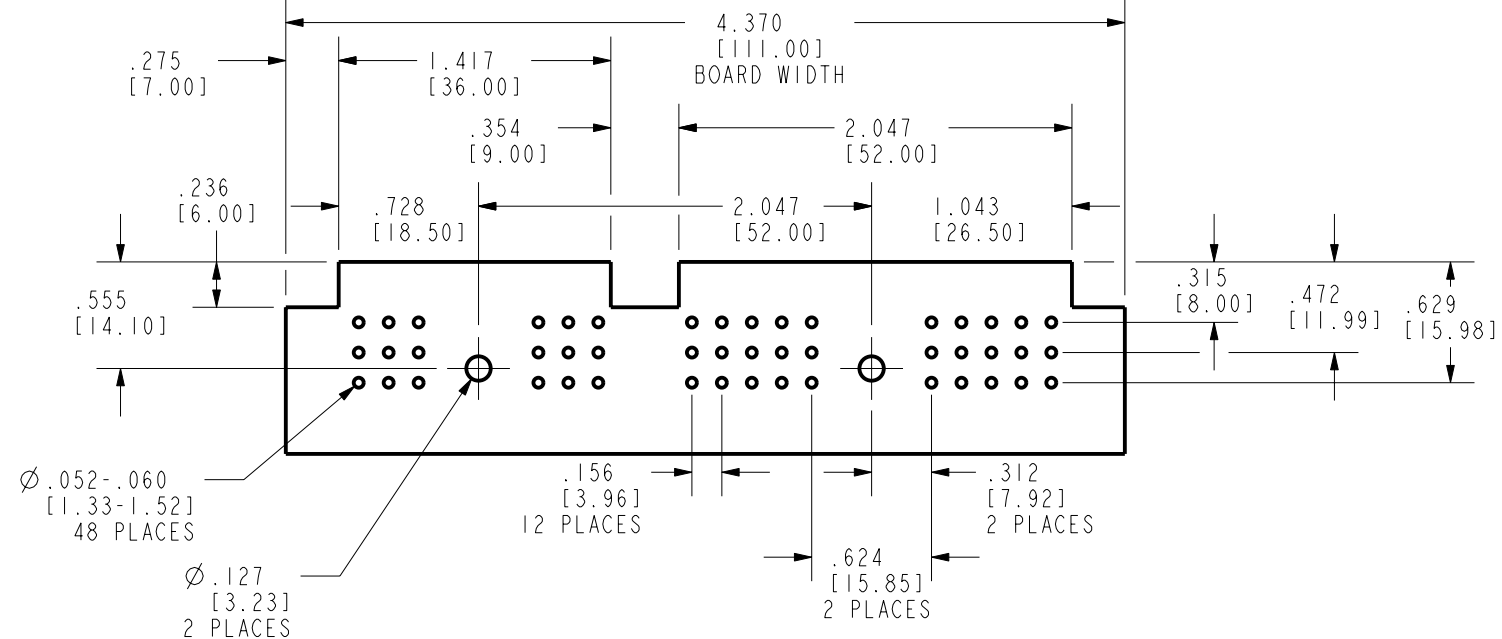
POLARIZATION A
581 01 48 011
HOUSING COLOR : BLACK



POLARIZATION B
581 01 48 012
HOUSING COLOR : NATURAL



POLARIZATION C
581 01 48 013
HOUSING COLOR : GRAY



UNITS ENGLISH	Cinch		1700 FINLEY RD LOMBARD, IL. 60148
DO NOT SCALE DRAWING	TITLE CONNECTOR ASSEMBLY, RECEPTACLE 48 POSITION		
	PRO/E DRAWING		
THIS DOCUMENT IS THE PROPERTY OF CINCH. NEITHER THIS DOCUMENT NOR ANY OF THE INFORMATION CONTAINED IN IT MAY BE DUPLICATED OR DISCLOSED WITHOUT PRIOR WRITTEN CONSENT OF CINCH.	CAD FILE NUMBER 5810148011S	DRAWING NUMBER 581 01 48 011S	REV A
	CAGE IDENT NO. SIZE 71785 B	SCALE 1:1	SHEET 2 OF 2