

NOTES:

1. ALL DIMENSIONS IN [] ARE IN MILLIMETERS.
2. .650 [16.51] TO BE MEASURED AT THE CENTER OF WIDTH OF CONNECTOR.
3. MATERIAL:
 TERMINAL BLADE: BRASS WITH TIN-LEAD OVER NICKEL PLATING.
 JACKSCREW BUSHING: BRASS, UNPLATED.
 INSULATOR: 30% GLASS FILLED PBT POLYESTER.
 PANEL SEAL: SILICON RUBBER COLOR: BLUE.
 INTERFACE SEAL: SILICON RUBBER COLOR: BLUE.
4. SOLDERABILITY MEETS USCAR 5.4.1.
5. MATES WITH CINCH PUSH-TO SEAT HARNESS CONNECTOR (CONSULT FACTORY).
6. STANDARD CELL PACK, QUANTITY 75 PIECES.
7. RECOMMENDED TORQUE:
 JACKSCREW 15-20 INLBS [1.7-2.3 Nm]
 PANEL SCREW 8.5±0.5 INLBS [0.9±0.1 Nm]
 PCB RETENTION SCREW 2-3 INLBS [0.23-0.34 Nm]

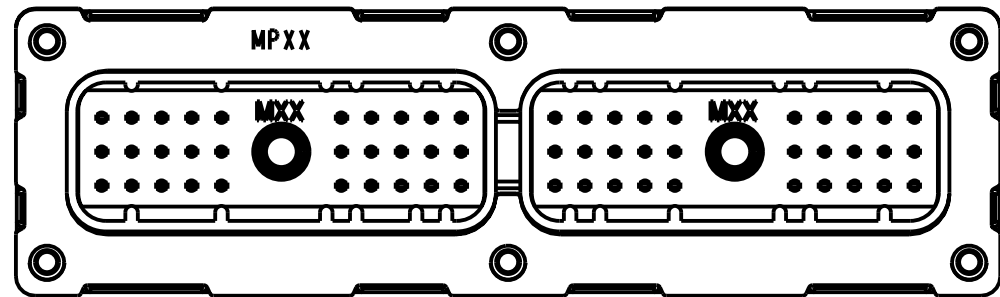
RECOMMENDED MOUNTING SCREW #4-20(SH) SELF-TAPPING PLASTITE .50[12.7] LONG ONLY IF MOUNTING MODULE WALL THICKNESS IS LESS THAN OR EQUAL TO .118[3]

DRAWING REVISIONS			
REV	DOCUMENT	APP	DATE
D	ADDED: ONLY IF... CHG: PANEL SCREW... PER ECN #01A683		

MODELED BY:
J. DRYE

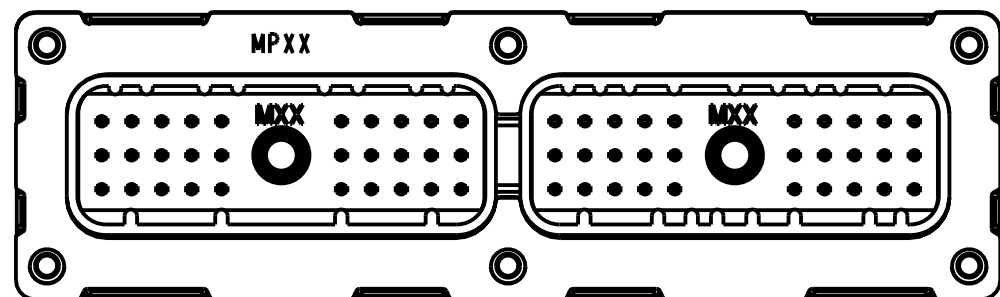
UNITS	ENGLISH	PRO/E	Cinch	
DO NOT SCALE DRAWING	DRAWN BY T. RANDAZZO	DATE 07/16/93	TITLE CONNECTOR ASSEMBLY, RECEPTACLE 60 POSITION	
	DESIGN ENGINEER T. RANDAZZO	07/16/93	MATERIAL	CONTROL SPEC NUMBER
	DESIGN ENGINEERING MGR. A. SHAH	05/17/94	MATERIAL SPEC NUMBER	FINISH
	MFG. ENGINEERING J. ROUSSEAU	05/17/94	CAD FILE NUMBER 5810160001S	DRAWING NUMBER 581 01 60 001S
	QUALITY ASSURANCE R. SCHLACKS	05/18/94	CAGE IDENT NO. SIZE 71785 B	SCALE 1.000
			PROJECT NUMBER C13184	
			SHEET 1 OF 2	

THIS DOCUMENT IS THE PROPERTY OF CINCH. NEITHER THIS DOCUMENT NOR ANY OF THE INFORMATION CONTAINED IN IT MAY BE DUPLICATED OR DISCLOSED WITHOUT PRIOR WRITTEN CONSENT OF CINCH.



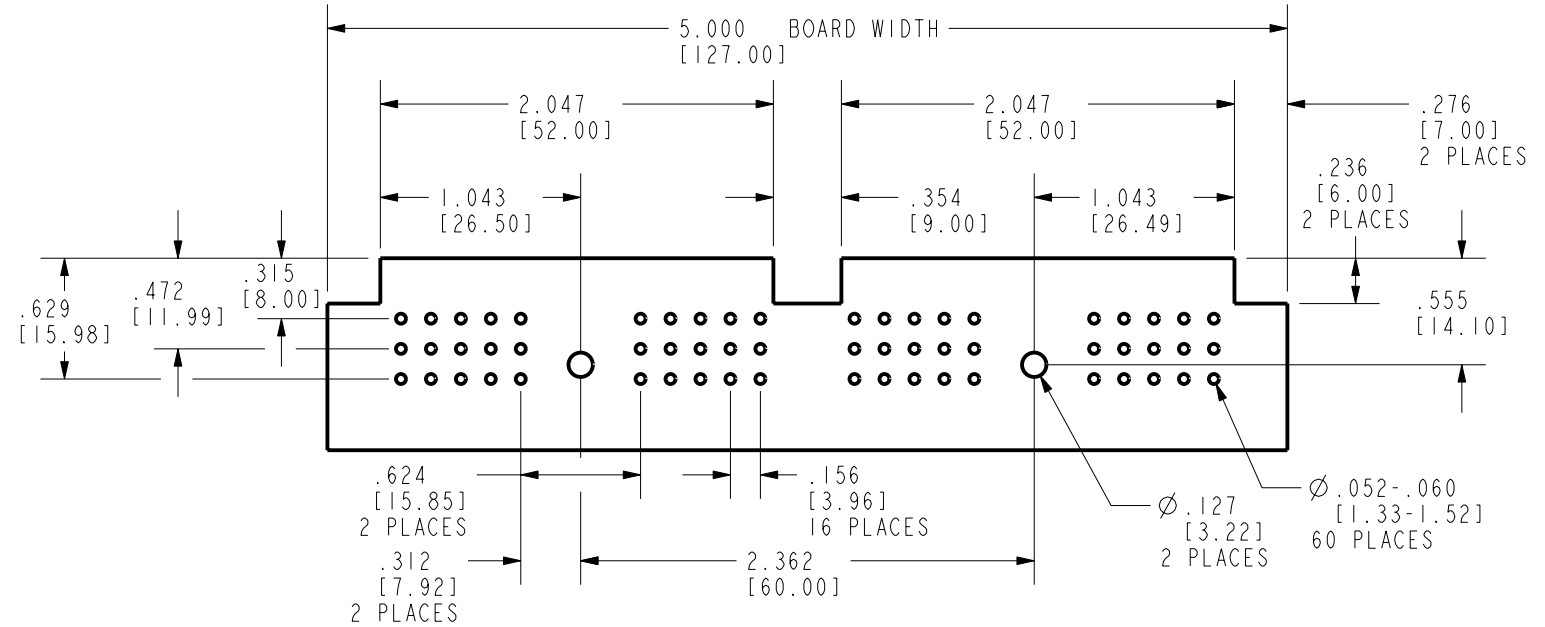
POLARIZATION A

581 01 60 001
HOUSING COLOR : BLACK



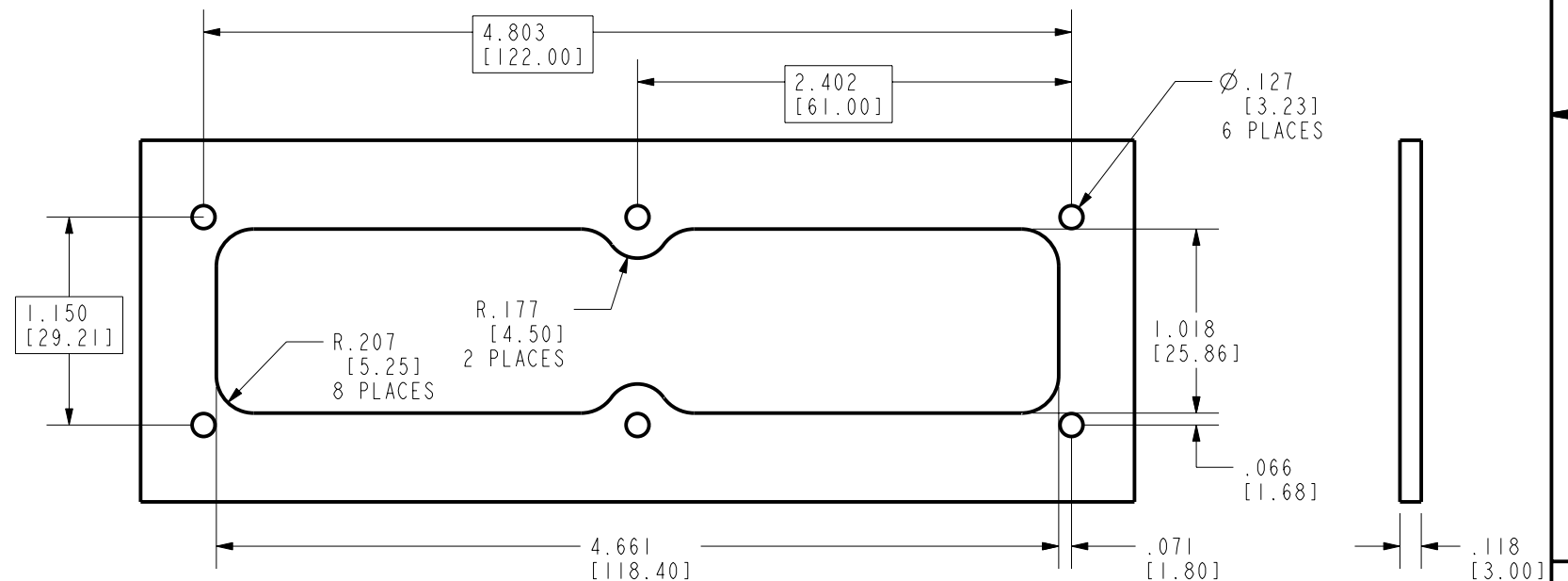
POLARIZATION B

581 01 60 002
HOUSING COLOR : NATURAL, WHITE



RECOMMENDED PC BOARD LAYOUT

SCALE 1.000



MOUNTING HOLE-MODULE CASE OPENING

SCALE 1.000

UNITS	ENGLISH		Cinch		1700 FINLEY RD LOMBARD, IL. 60148
DO NOT SCALE DRAWING		TITLE CONNECTOR ASSEMBLY, RECEPTACLE 60 POSITION			
[REDACTED]		PRO/E DRAWING			
THIS DOCUMENT IS THE PROPERTY OF CINCH. NEITHER THIS DOCUMENT NOR ANY OF THE INFORMATION CONTAINED IN IT MAY BE DUPLICATED OR DISCLOSED WITHOUT PRIOR WRITTEN CONSENT OF CINCH.		CAD FILE NUMBER 5810160001S	DRAWING NUMBER 581 01 60 001S	REV D	
CAGE IDENT NO. 71785	SIZE B	SCALE 1.000	SHEET 2 OF 2		