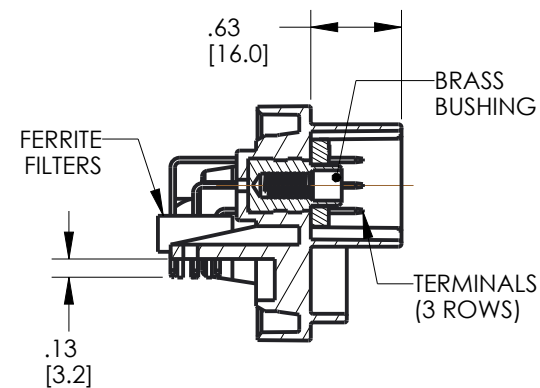
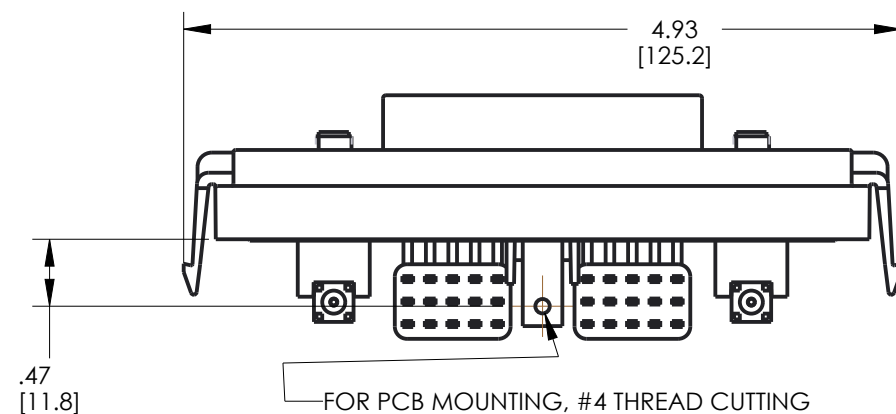
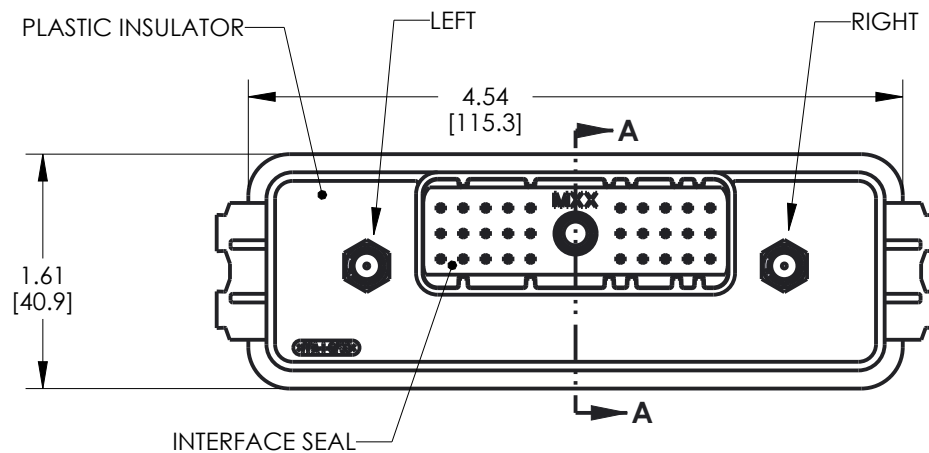


DRAWING REVISIONS
(RELEASE DATE ON FILE)

REV	DOCUMENT	APP	APPROVAL DATE
E	CO 3274	V.RICE	7/18/16



SECTION A-A
SCALE 3:4



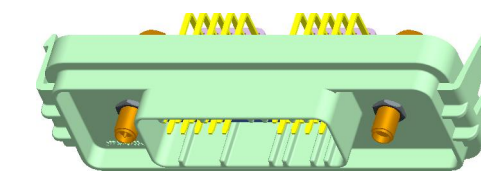
FOR PCB MOUNTING, #4 THREAD CUTTING SCREW (TYPE 23 OR SIMILAR) IS RECOMMENDED; TORQUE TO 2-3 in-lbs [0.23-0.34Nm]

**CINCH P/N: 5810630002 SHOWN
(30 POS HEADER WITH FILTERS)**

RP SMA = REVERSE POLARITY SMA SMA = STANDARD POLARITY SMA LEFT RIGHT	HEADER	I/O	FERRITE	LEFT RF	RIGHT RF
	5810630001	30	NO	RP SMA	SMA
	5810630002	30	YES	RP SMA	SMA
	5810630003	30	NO	N/A	SMA
	5810630004	30	YES	N/A	SMA
	5810630005	30	NO	RP SMA	N/A
	5810630006	30	YES	RP SMA	N/A
	5810630007	30	NO	RP SMA	RP SMA
	5810630008	30	YES	RP SMA	RP SMA
	5810630009	30	NO	SMA	SMA
	5810630010	30	YES	SMA	SMA

NOTES:

- ALL DIMENSIONS ARE IN INCHES; DIMENSIONS INSIDE [.XX] ARE IN mm, AS REFERENCE ONLY
- MATERIALS:
 INSULATOR: 30% GLASS FILLED POLYMER, COLOR BLACK
 SMA: BODY: BRASS, NICKEL PLATED
 CONTACT: PHOSPHOR BRONZE, GOLD PLATING OVER NICKEL
 INSULATOR: PTFE
 INTERFACE SEAL: SILICONE RUBBER, COLOR BLUE
 INSULATOR: 30% GLASS FILLED POLYMER, COLOR BLACK
 BUSHING: BRASS ALLOY, UNPLATED 10-24 UNC THREAD
 TERMINAL BLADES: 1.5 mm BRASS WITH TIN OVER NICKEL PLATING
 FILTERS: FERRITE BLOCKS
- ALL HEADERS ARE REFLOW OR WAVE SOLDERING PROCESS, ROHS COMPLIANT
- SUGGESTED PCB THICKNESS: .062 [1.57]
- IF USING FERRITE FILTER VERSION, TRACES SHOULD BE AVOIDED UNDER THE FERRITE SPACER FEET. SEE "PCB TOP SIDE PIN AREA WITH FERRITES DETAIL" - PAGE 2.
- MATES WITH CINCH SHS PUSH-TO-SEAT HARNESS CONNECTOR P/N: 5810130029.
- TORQUE SCREW OF MATING CONNECTOR TO 15 - 20 in-lbs [1.70 - 2.26 Nm]



SCALE 1:2

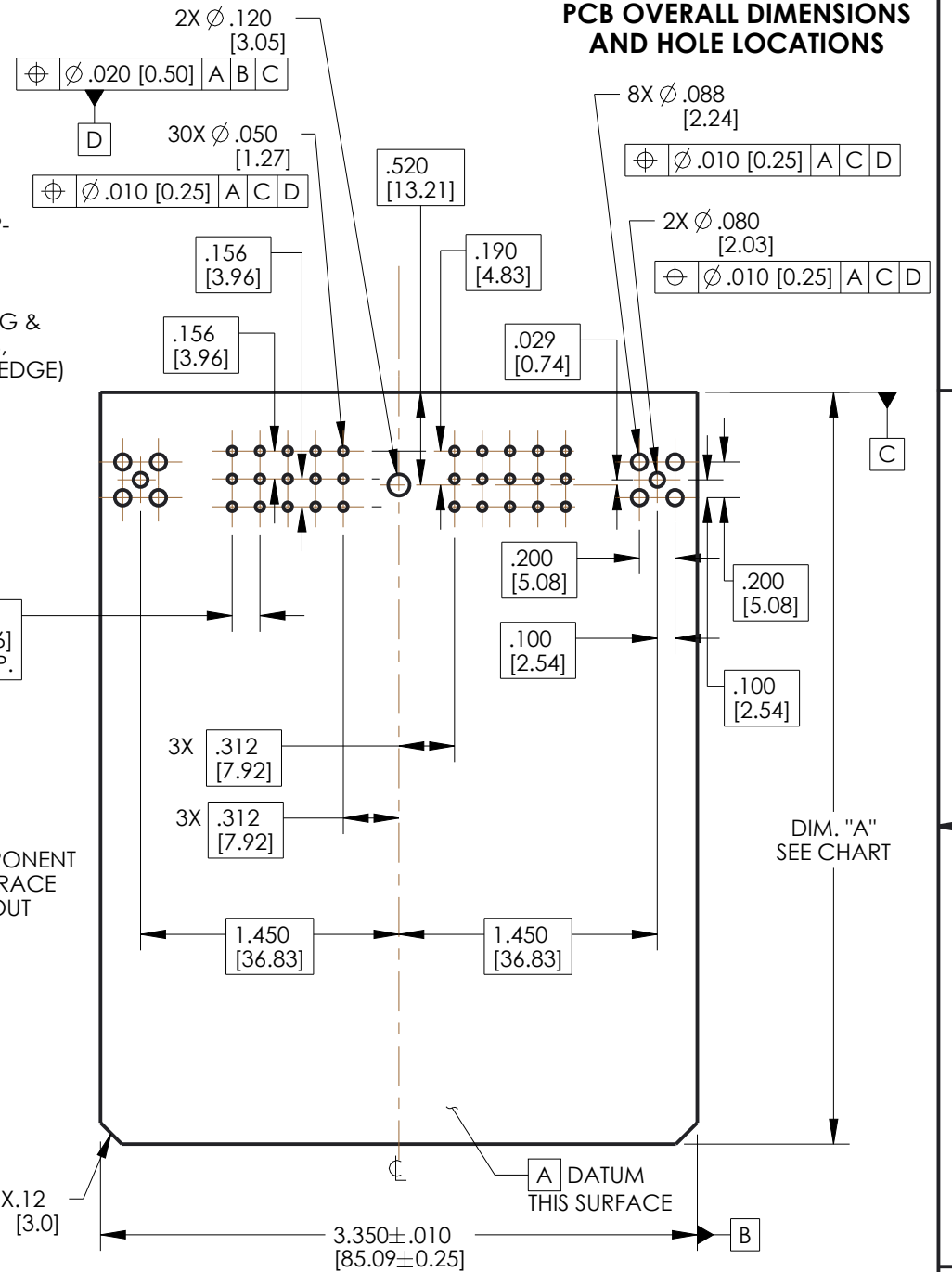
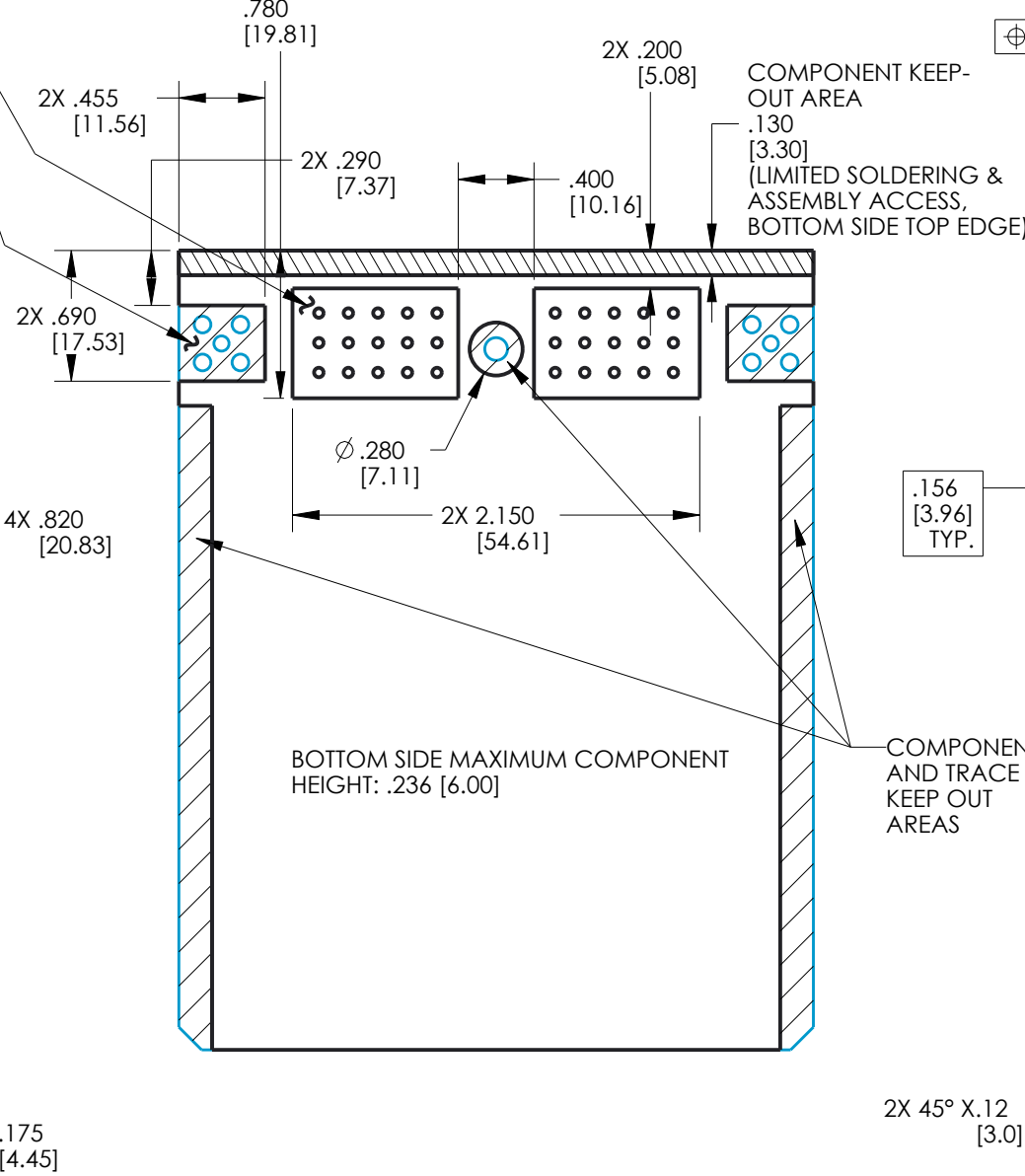
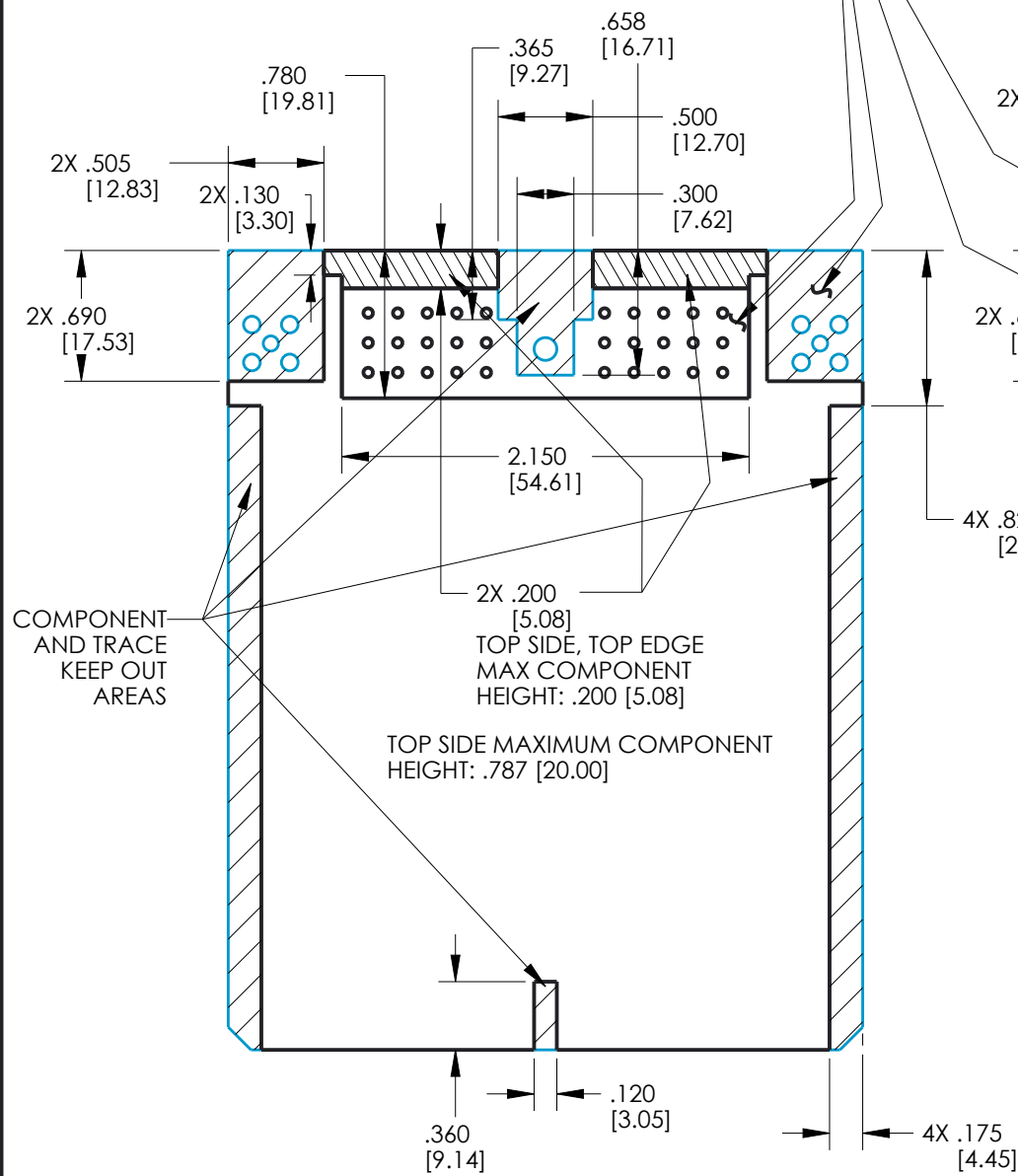
MODELED BY:
V. RICE

UNITS ENGLISH INCHES	PRO/E	CINCH	
DO NOT SCALE DRAWING	DESIGN ENGINEER V. RICE	DATE 5/16/12	TITLE MODICE ME-RF 30 WAY / SMA HEADER ASSEMBLY
CONFIDENTIAL THIS DOCUMENT IS THE PROPERTY OF CINCH. NEITHER THIS DOCUMENT NOR ANY OF THE INFORMATION CONTAINED IN IT MAY BE DUPLICATED OR DISCLOSED WITHOUT PRIOR WRITTEN CONSENT OF CINCH. ©COPYRIGHT 2008 CINCH	APPROVALS ON FILE		CONTROL SPEC NUMBER
			PROJECT NUMBER A15085
	CAD FILE NUMBER 5810630001S	DRAWING NUMBER 5810630001S	
	CAGE IDENT NO. 71785	SIZE B	SCALE 1:1

RECOMMENDED PCB TOP SIDE GENERAL ZONING AND KEEP-OUT AREAS

RECOMMENDED PCB BOTTOM SIDE GENERAL ZONING AND KEEP-OUT AREAS

RECOMMENDED PCB OVERALL DIMENSIONS AND HOLE LOCATIONS



COMPONENT AND TRACE KEEP OUT AREAS

TOP SIDE MAXIMUM COMPONENT HEIGHT: .787 [20.00]

2x .200 [5.08] TOP SIDE, TOP EDGE MAX COMPONENT HEIGHT: .200 [5.08]

BOTTOM SIDE MAXIMUM COMPONENT HEIGHT: .236 [6.00]

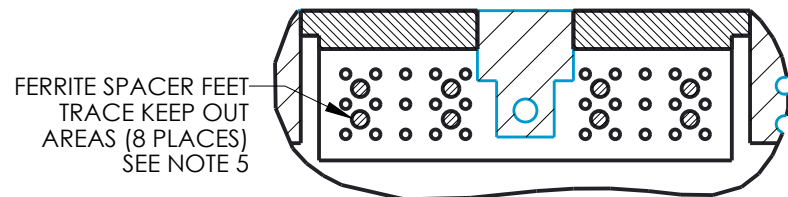
COMPONENT AND TRACE KEEP OUT AREAS

DIM. "A" SEE CHART

A DATUM THIS SURFACE

RECOMMENDED PCB LENGTH

DIM. "A" (SEE DRAWING)	USE WITH ENCLOSURE	
	PART NUMBER	DESCRIPTION
4.220±0.015 [107.19±0.38]	581 01 30 065	ME
	581 01 30 075	ME WITH BREATHER
2.520±0.015 [64.01±0.38]	581 01 30 090	MINI ME
	581 01 30 095	MINI ME WITH BREATHER



PCB TOP SIDE PIN AREA WITH FERRITES DETAIL

UNITS ENGLISH INCHES	CINCH		1700 FINLEY RD LOMBARD, IL. 60148
	DO NOT SCALE DRAWING		
TITLE		MODICE ME-RF 30 WAY / SMA HEADER ASSEMBLY	
PRO/E DRAWING			
CONFIDENTIAL THIS DOCUMENT IS THE PROPERTY OF CINCH. NEITHER THIS DOCUMENT NOR ANY OF THE INFORMATION CONTAINED IN IT MAY BE DUPLICATED OR DISCLOSED WITHOUT PRIOR WRITTEN CONSENT OF CINCH. ©COPYRIGHT 2008 CINCH	CAD FILE NUMBER	DRAWING NUMBER	REV
	5810630001S	5810630001S	E
CAGE IDENT NO.	SIZE	SCALE	SHEET
71785	B	1:1	2 OF 2