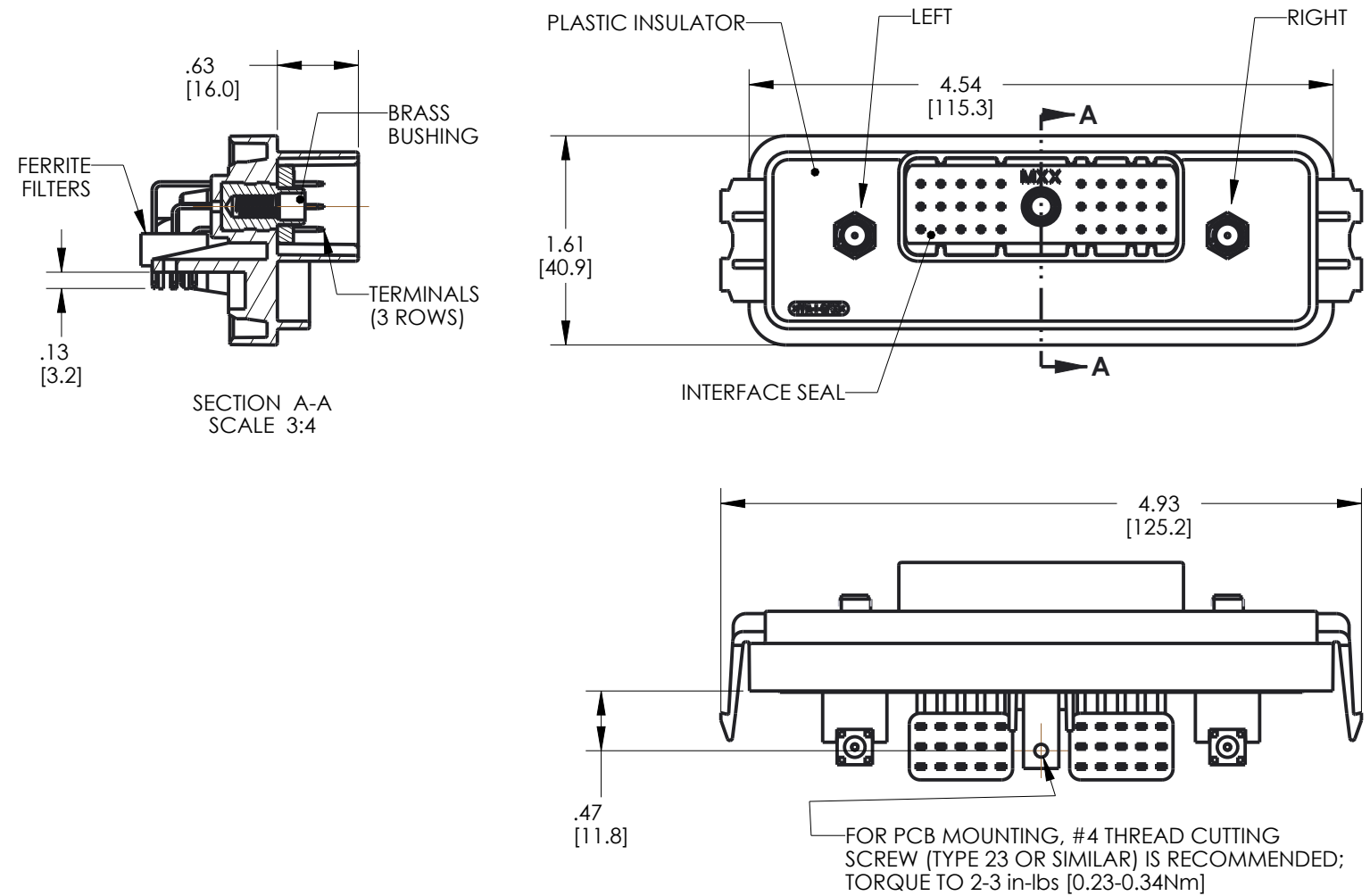


**DRAWING REVISIONS**  
(RELEASE DATE ON FILE)

REV	DOCUMENT	APP	APPROVAL DATE
E	CO 3274	V.RICE	7/18/16

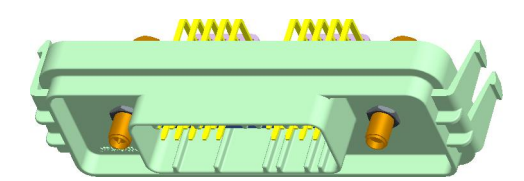


**CINCH P/N: 5810630002 SHOWN  
(30 POS HEADER WITH FILTERS)**

RP SMA = REVERSE POLARITY SMA SMA = STANDARD POLARITY SMA LEFT	HEADER	I/O	FERRITE	LEFT RF	RIGHT RF
	5810630001	30	NO	RP SMA	SMA
	5810630002	30	YES	RP SMA	SMA
	5810630003	30	NO	N/A	SMA
	5810630004	30	YES	N/A	SMA
	5810630005	30	NO	RP SMA	N/A
	5810630006	30	YES	RP SMA	N/A
	5810630007	30	NO	RP SMA	RP SMA
	5810630008	30	YES	RP SMA	RP SMA
	5810630009	30	NO	SMA	SMA
	5810630010	30	YES	SMA	SMA

**NOTES:**

- ALL DIMENSIONS ARE IN INCHES; DIMENSIONS INSIDE [.XX] ARE IN mm, AS REFERENCE ONLY
- MATERIALS:  
 INSULATOR: 30% GLASS FILLED POLYMER, COLOR BLACK  
 SMA: BODY: BRASS, NICKEL PLATED  
 CONTACT: PHOSPHOR BRONZE, GOLD PLATING OVER NICKEL  
 INSULATOR: PTFE  
 INTERFACE SEAL: SILICONE RUBBER, COLOR BLUE  
 INSULATOR: 30% GLASS FILLED POLYMER, COLOR BLACK  
 BUSHING: BRASS ALLOY, UNPLATED 10-24 UNC THREAD  
 TERMINAL BLADES: 1.5 mm BRASS WITH TIN OVER NICKEL PLATING  
 FILTERS: FERRITE BLOCKS
- ALL HEADERS ARE REFLOW OR WAVE SOLDERING PROCESS, ROHS COMPLIANT
- SUGGESTED PCB THICKNESS: .062 [1.57]
- IF USING FERRITE FILTER VERSION, TRACES SHOULD BE AVOIDED UNDER THE FERRITE SPACER FEET. SEE "PCB TOP SIDE PIN AREA WITH FERRITES DETAIL" - PAGE 2.
- MATES WITH CINCH SHS PUSH-TO-SEAT HARNESS CONNECTOR P/N: 5810130029.
- TORQUE SCREW OF MATING CONNECTOR TO 15 - 20 in-lbs [1.70 - 2.26 Nm]



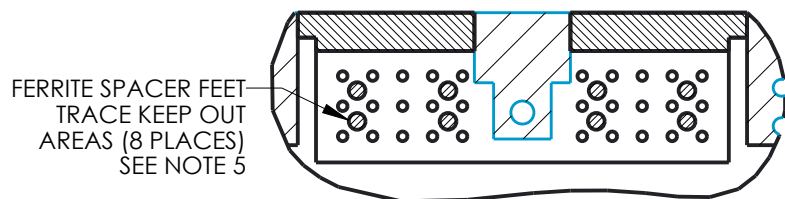
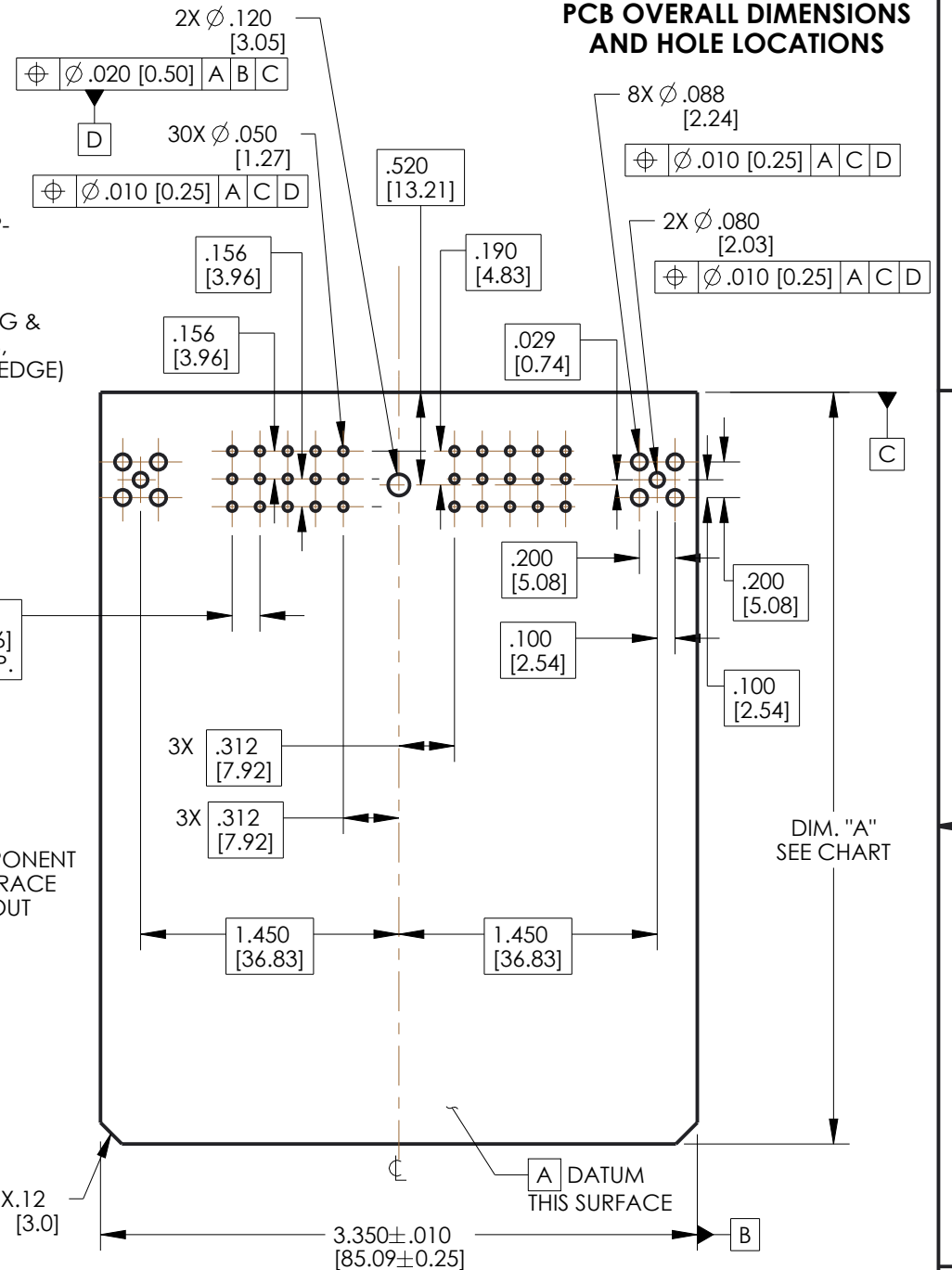
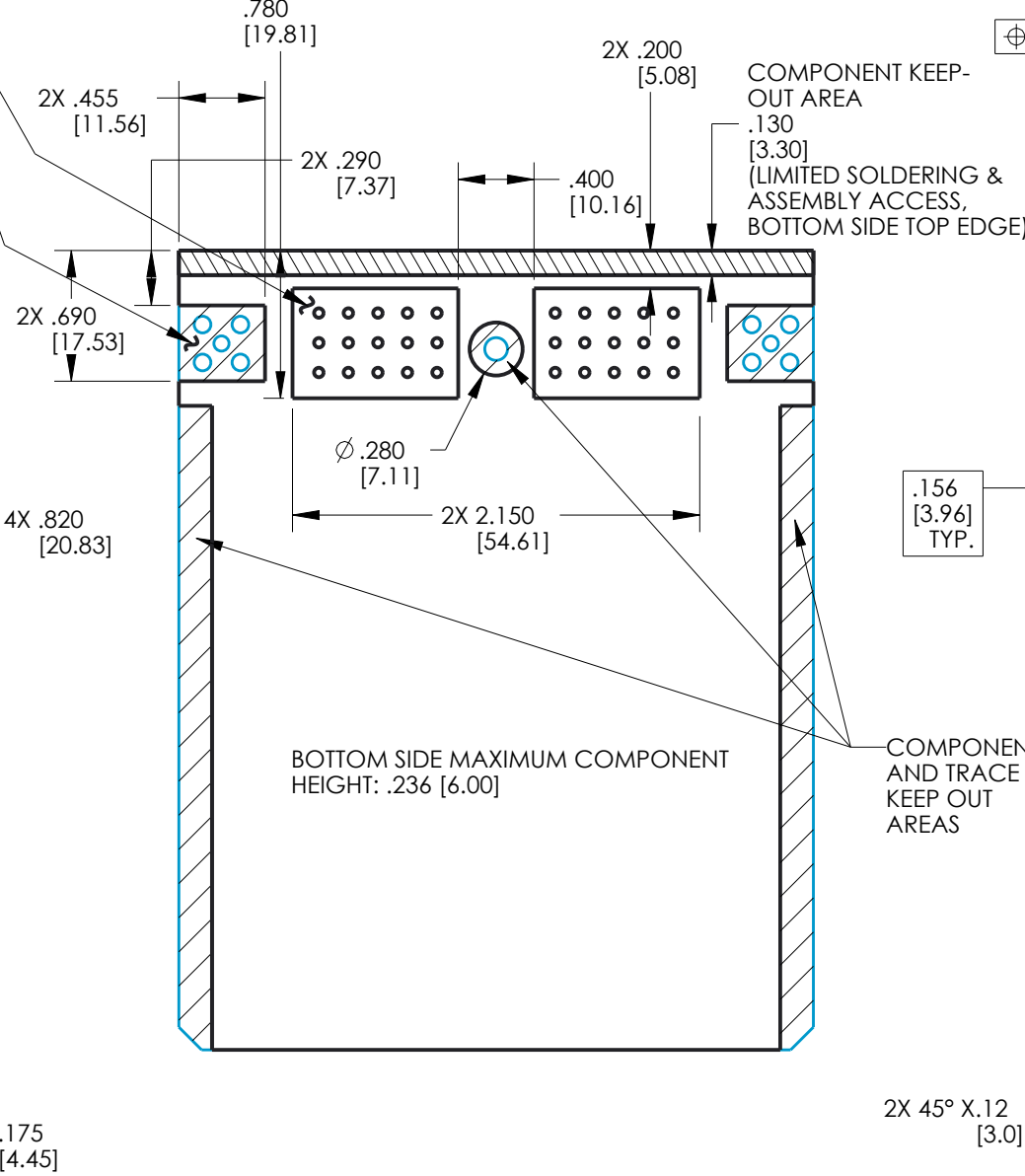
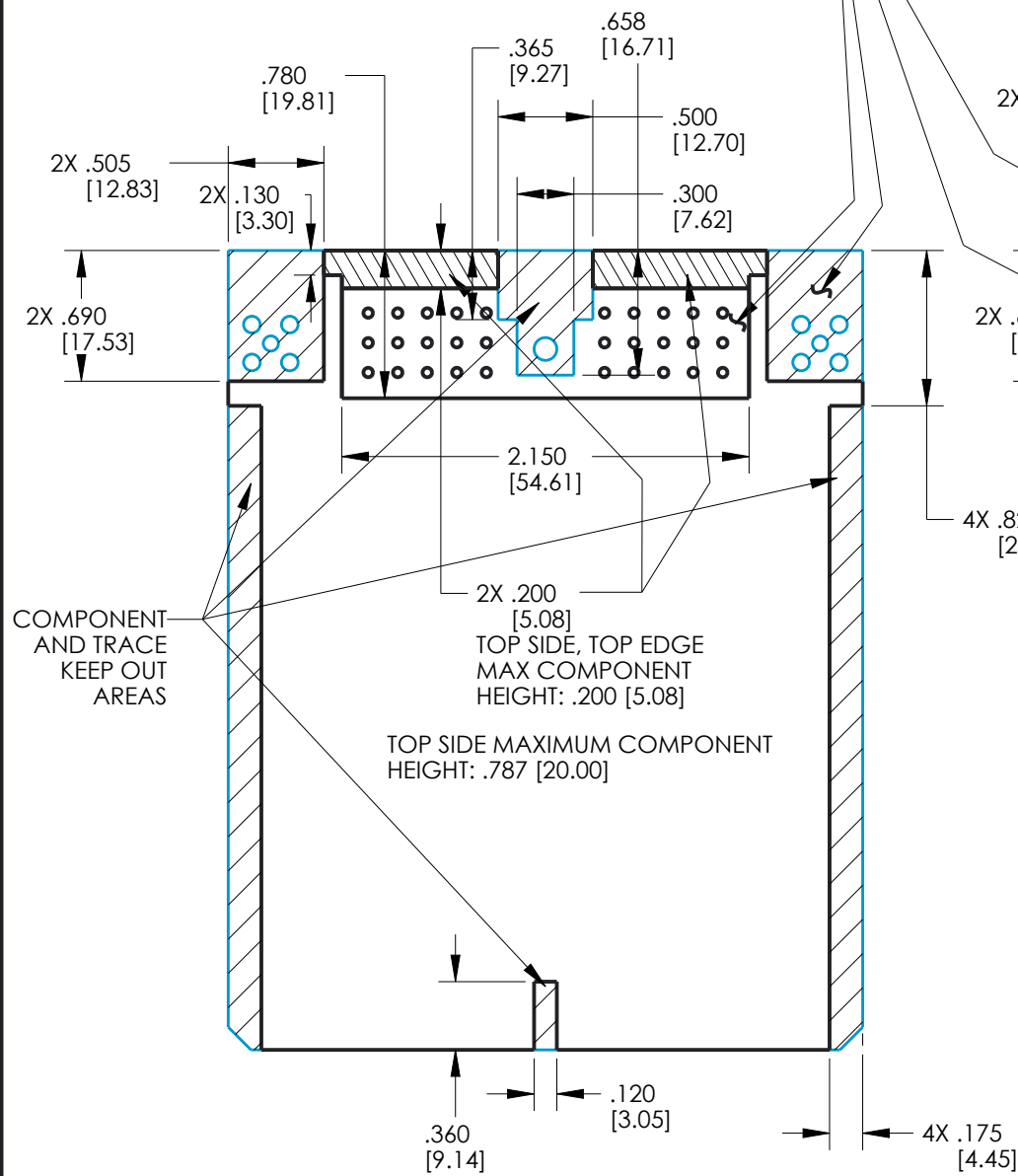
SCALE 1:2

UNITS <b>ENGLISH INCHES</b>	PRO/E	<b>CINCH</b>	1700 FINLEY RD LOMBARD, IL 60148	
DO NOT SCALE DRAWING	DESIGN ENGINEER V. RICE	DATE 5/16/12	TITLE MODICE ME-RF 30 WAY / SMA HEADER ASSEMBLY	
<b>CONFIDENTIAL</b> <small>THIS DOCUMENT IS THE PROPERTY OF CINCH. NEITHER THIS DOCUMENT NOR ANY OF THE INFORMATION CONTAINED IN IT MAY BE DUPLICATED OR DISCLOSED WITHOUT PRIOR WRITTEN CONSENT OF CINCH. ©COPYRIGHT 2008 CINCH</small>	<b>APPROVALS ON FILE</b>		MATERIAL CONTROL SPEC NUMBER	
			MATERIAL SPEC NUMBER FINISH PROJECT NUMBER A15085	
			CAD FILE NUMBER 5810630001S	DRAWING NUMBER <b>5810630001S</b>
			CAGE IDENT NO. SIZE 71785 B	SCALE SHEET 1 OF 2 1:1

**RECOMMENDED PCB TOP SIDE GENERAL ZONING AND KEEP-OUT AREAS**

**RECOMMENDED PCB BOTTOM SIDE GENERAL ZONING AND KEEP-OUT AREAS**

**RECOMMENDED PCB OVERALL DIMENSIONS AND HOLE LOCATIONS**



**PCB TOP SIDE PIN AREA WITH FERRITES DETAIL**

**RECOMMENDED PCB LENGTH**

DIM. "A" (SEE DRAWING)	USE WITH ENCLOSURE	
	PART NUMBER	DESCRIPTION
4.220±0.015 [107.19±0.38]	581 01 30 065	ME
	581 01 30 075	ME WITH BREATHER
2.520±0.015 [64.01±0.38]	581 01 30 090	MINI ME
	581 01 30 095	MINI ME WITH BREATHER

UNITS <b>ENGLISH INCHES</b>	<b>CINCH</b>		1700 FINLEY RD LOMBARD, IL. 60148
	DO NOT SCALE DRAWING		
TITLE MODICE ME-RF 30 WAY / SMA HEADER ASSEMBLY			
<b>PRO/E DRAWING</b>			
<small>CONFIDENTIAL</small> THIS DOCUMENT IS THE PROPERTY OF CINCH. NEITHER THIS DOCUMENT NOR ANY OF THE INFORMATION CONTAINED IN IT MAY BE DUPLICATED OR DISCLOSED WITHOUT PRIOR WRITTEN CONSENT OF CINCH. ©COPYRIGHT 2008 CINCH	CAD FILE NUMBER <b>5810630001S</b>	DRAWING NUMBER <b>5810630001S</b>	REV <b>E</b>
	CAGE IDENT NO. <b>71785</b>	SIZE <b>B</b>	SCALE 1:1
	SHEET 2 OF 2		