

TREE 8TX METALL - UNMANAGED SWITCH - 8 PORTS

8 port unmanaged switch

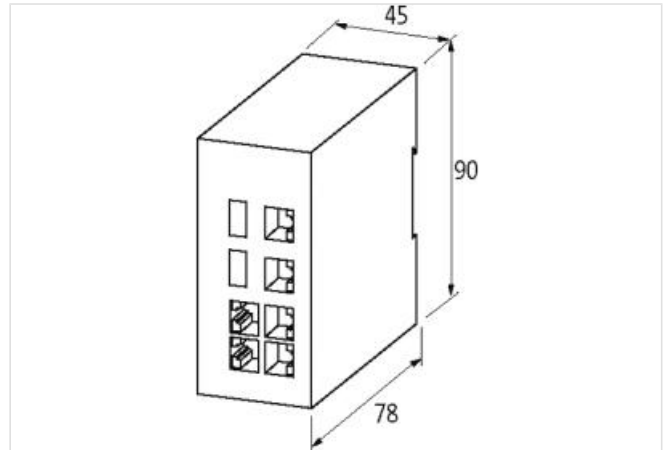
Connection cables are in the online shop under "Connection Technology".

[Link to Product](#)

Illustration



Product may differ from Image



classifications

ECLASS-6.0	19170106
ECLASS-6.1	19170106
ECLASS-7.0	19170106
ECLASS-8.0	19170106
ECLASS-9.0	19170402
ECLASS-10.1	19170402
ECLASS-11.1	19170402
ECLASS-12.0	19170402
ETIM-5.0	EC000734

Connections

Fieldbus	8× RJ45
Supply	Screw plug-in terminal: 0.2...1.5 mm ²

Technical Data

Operating voltage	2× 9...48 V DC, redundancy
Transfer rate	10/100 Mbit/s full duplex
Over voltage protection	yes
Operating current (switch)	max. 350 mA
Operating modes	Autocrossing Autonegotiation
Invers-polarity protection	yes

Switch Management

Protocols	no
Port Mirroring	no
VLAN (QoS) IEEE 802.p	yes

Alarm contact	no
Remote maintenance	no
Websserver	no
Switch Form	Unmanaged Switch

General data

Mounting method	DIN-rail mountable TH35 (EN 60715)
Temperature range	-10...+70 °C (storage temperature -40...+85 °C)
Housing	Metal black
Protection	IP40
Dimensions HxWxD	90x45.2x78 mm

Diagnostic

Communication status	via LED
Monitoring - no voltage	yes

Commercial data

customs tariff number	85176200
GTIN	4048879329576
Packaging unit	1