

## TREE 8TX metal GE - Unmanaged Gigabit Switch - 8 ports

8 port Gigabit unmanaged Switch

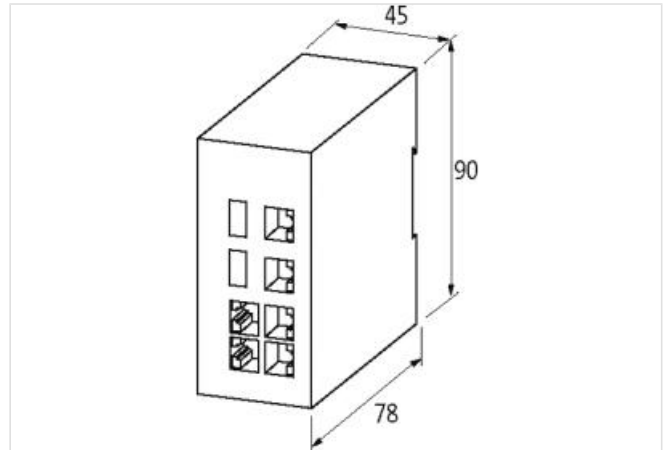
Connection cables are in the online shop under "Connection Technology".

### [Link to Product](#)

#### Illustration



Product may differ from Image



#### Connections

Fieldbus	8× RJ45
Supply	Screw plug-in terminal: 0.2...1.5 mm <sup>2</sup>

#### Technical Data

Operating voltage	2× 9...48 V DC, redundancy
Transfer rate	10/100/1000 Mbit/s full duplex
Over voltage protection	yes
Current consumption	max. 450 mA
Operating modes	Autocrossing Autonegotiation
Invers-polarity protection	yes

#### Switch Management

Protocols	no
Port Mirroring	no
VLAN (QoS) IEEE 802.p	yes
Alarm contact	no
Remote maintenance	no
Webserver	no
Switch Form	Unmanaged Switch

#### General data

Mounting method	DIN-rail mountable TH35 (EN 60715)
Temperature range	-10...+70 °C (storage temperature -40...+85 °C)
Housing	Metal black
Protection	IP40
Dimensions H×W×D	90×45,2×78,7 mm

**Diagnostic**

Communication status	via LED
Monitoring - no voltage	yes