

TREE 16 TX Metall 2GE 14 FE - Unmanaged Gigabit Switch - 16 Ports/

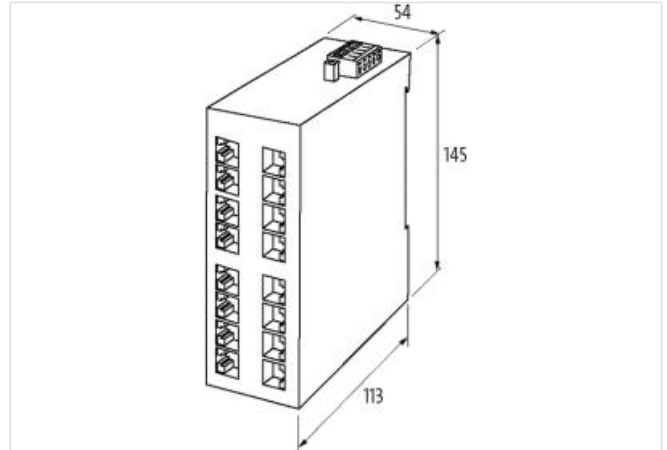
TREE 16 TX Metall 2GE 14 FE - Unmanaged Gigabit Switch - 16 ports

16 port unmanaged switch

Connection cables are in the online shop under "Connection Technology".

[Link to Product](#)**Illustration**

Product may differ from Image

**Commercial data**

ECLASS-6.0	19170106
ECLASS-6.1	19170106
ECLASS-7.0	19170106
ECLASS-8.0	19170106
ECLASS-9.0	19170402
ECLASS-10.1	19170402
ECLASS-11.1	19170402
ECLASS-12.0	19170402
ETIM-5.0	EC000734
customs tariff number	85176200
GTIN	4048879762076
Packaging unit	1

Electrical data | Supply

Operating voltage DC min.	9 V
Operating voltage DC max.	48 V
Power consumption max.	7,4 W

Industrial communication

Data transmission rate max.	1000 MBit/s
-----------------------------	-------------

Industrial communication | Ethernet functionality

Auto-crossover	yes
Auto-negotiation	yes
duplex	Full duplex

The information in this Product-PDF has been compiled with the utmost care.

Liability for the correctness completeness and topicality of the information is restricted to gross negligence. Version: 2023-12-09

Murrelektronik Inc. | 1327 Northbrook Parkway, Suite 460 | Suwanee, GA 30024 | Fon +1 770 497-9292 | Fax +1 770 497-9391 | shop@murrinc.com | shop.murrinc.com

Switch type	unmanaged
VLAN unmanaged (IEEE 802.1Q)	yes
Diagnostics	
Alarm contact	no
Diagnostic	No voltage
LED display	Ethernet connection/data traffic
Device protection Electrical	
Degree of protection (EN IEC 60529)	IP20
Mechanical data Material data	
Color housing	black
Material housing	Metal
Mechanical data Mounting data	
Mounting method	geschnappt
Suitable for mounting type	Mounting rail TH35, (EN 60715)
Height	145 mm
Width	54 mm
Depth	113 mm
Environmental characteristics Climatic	
Operating temperature min.	0 °C
Operating temperature max.	70 °C
Storage temperature min.	-20 °C
Storage temperature max.	70 °C
Connection type 2	
Connection type 1	16
Connection type 2	X1
Family construction form	RJ45
Gender	female
Color contact carrier	black
No. of poles	8
PIN 1	TD +
PIN 2	TD -
PIN 3	RD +
PIN 4	n.c.
PIN 5	n.c.
PIN 6	RD -
PIN 7	n.c.
PIN 8	n.c.
Connection	Plug-in terminals RK
Family construction form	terminal
Gender	male
Color contact carrier	green
No. of poles	5
PIN 1	FE
PIN 2	0 V
PIN 3	24 V DC (UB 1)
PIN 4	0 V
PIN 5	24 V DC (UB 2)