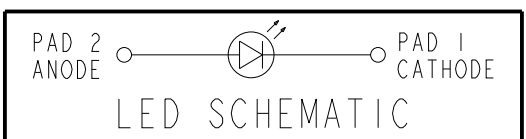
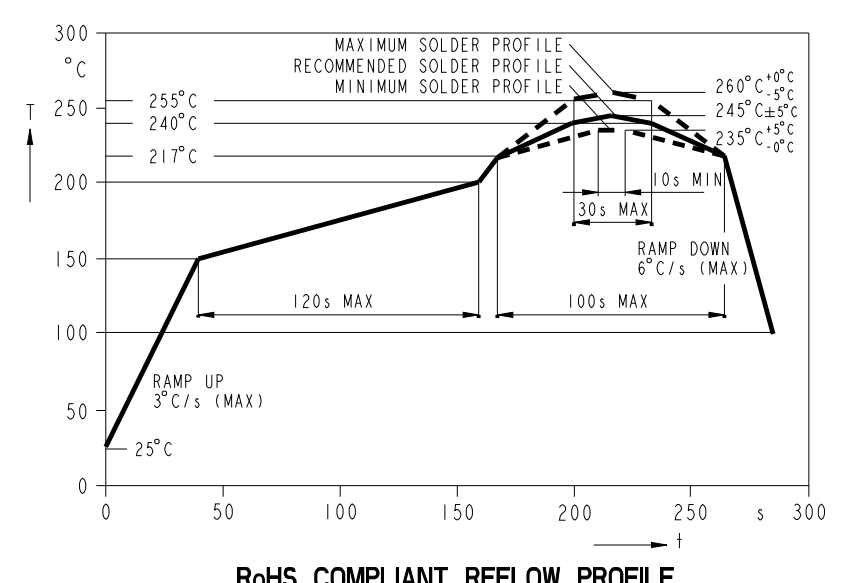
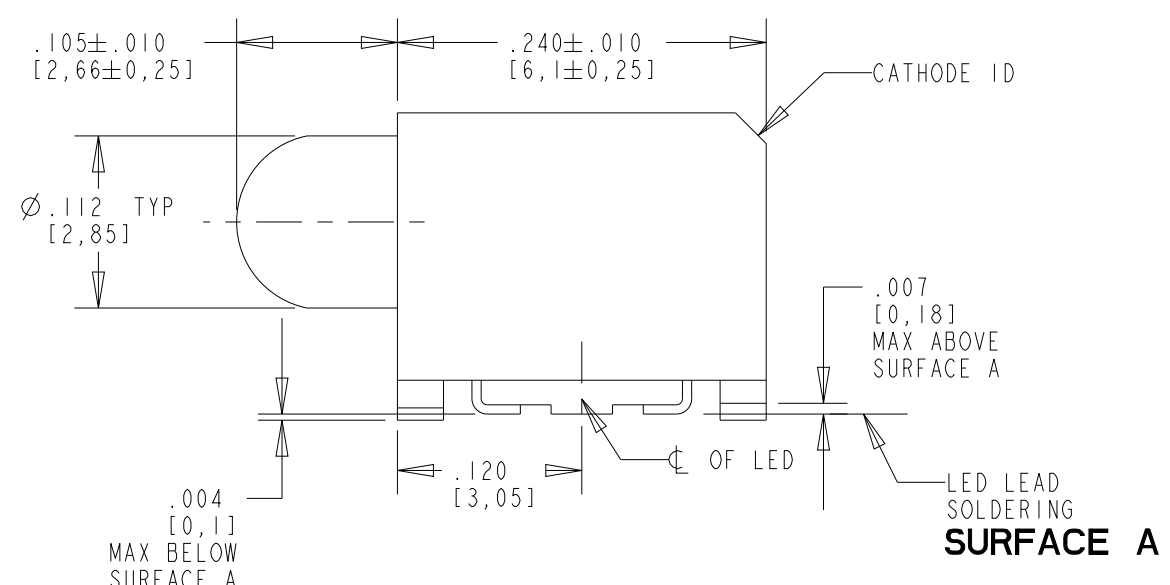
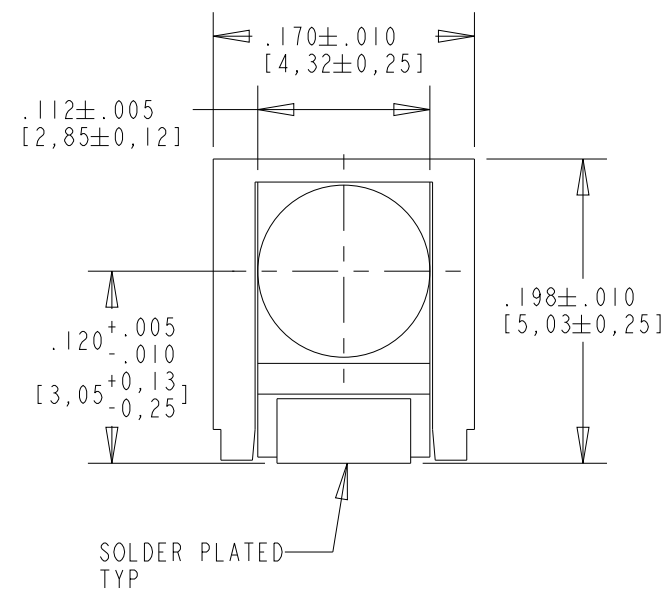


DIALIGHT PART NUMBER	LED COLOR
591-2001-002NF	
591-2001-007NF	InGaAlP RED
591-2001-013NF	
591-2101-002NF	SUPER BRIGHT GaAlAs RED
591-2101-007NF	
591-2101-013NF	
591-2301-002NF	
591-2301-007NF	InGaAlP GREEN
591-2301-013NF	
591-2401-002NF	
591-2401-007NF	InGaAlP YELLOW
591-2401-013NF	
591-2501-002NF	
591-2501-007NF	InGaAlP ORANGE
591-2501-013NF	

RoHS Compliant 591-2X01-0XXNF

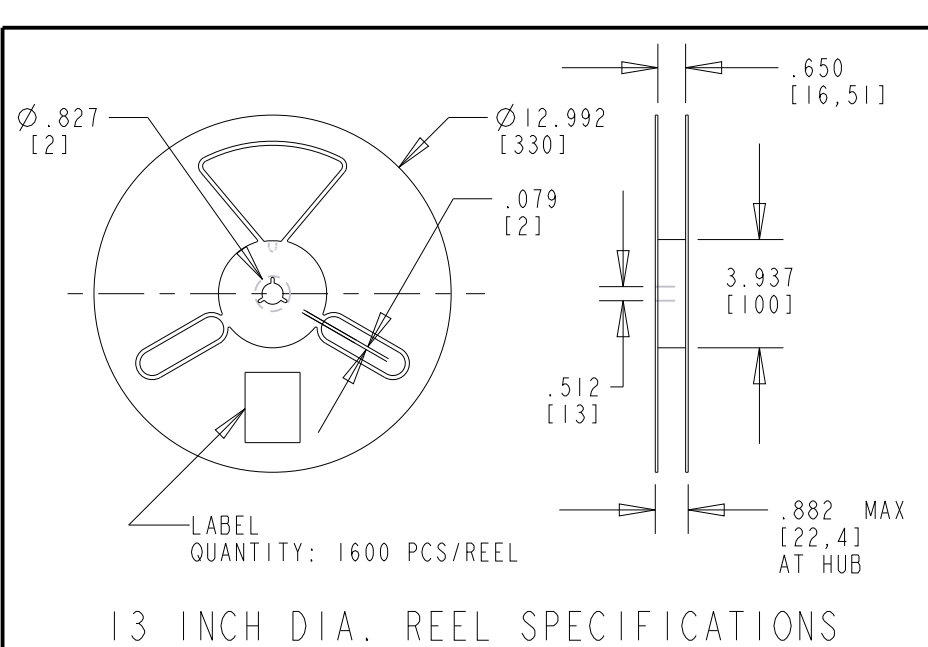
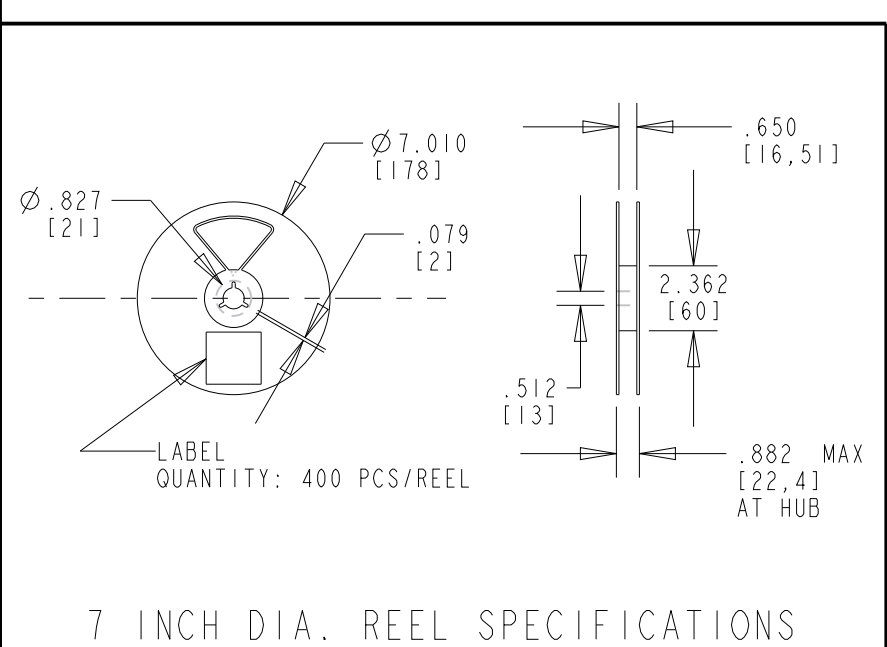
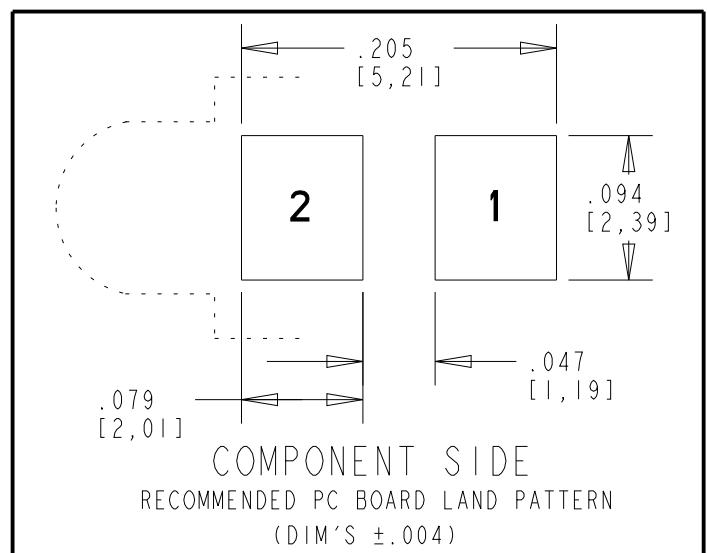
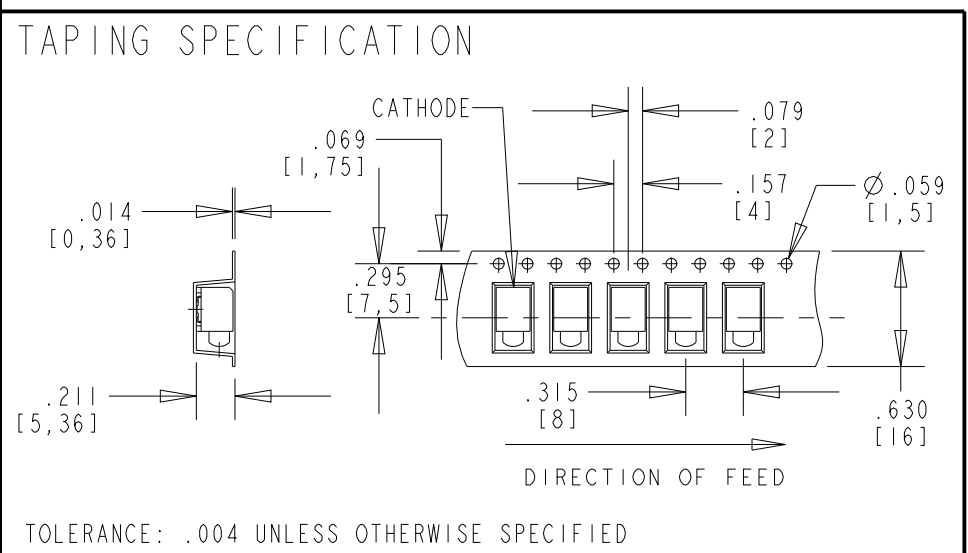
Part Numbers with the "F" suffix ending are RoHS Compliant.
 For Example: 591-2701-007NF
 Packaging is marked with "RoHS Compliant" label or equivalent markings.
 Parts can be reflow soldered per RoHS reflow profile, wave soldered, dip soldered, or hand soldered using typical lead-free soldering process with max 260°C temp. for 5 sec.

REV	REVISIONS	DRN	CKD	APP	DATE
A	NEW RELEASE	LD		NO	2-17-21

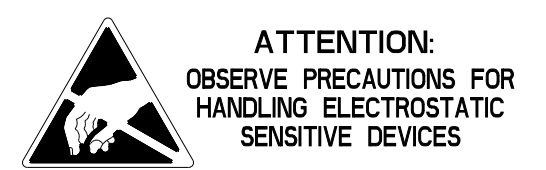


LED COLOR	OPERATING CHARACTERISTICS AT 25°C AMBIENT													
	LUMINOUS INTENSITY TEST CONDITION	LUMINOUS INTENSITY (mcd)			FORWARD VOLTAGE TEST CONDITION			REVERSE CURRENT (μA)	DOMINANT WAVELENGTH (nm)			VIEWING ANGLE (DEG)		
		MIN	TYP	MAX	MIN	TYP	MAX		MIN	TYP	MAX			
InGaAlP RED	IF = 10mA	14			IF = 20mA	1.8	2.0	2.3	10	627	633	639	645	40
GaAlAs RED	IF = 10mA	34			IF = 20mA	1.85	2.5	10		640			655	40
InGaAlP GREEN	IF = 10mA	15			IF = 20mA	1.8	2.0	2.4	10	566	570	575	572	40
InGaAlP YELLOW	IF = 10mA	71			IF = 20mA	1.9	2.0	2.4	10	580	587	595	591	40
InGaAlP ORANGE	IF = 10mA	83			IF = 20mA	1.8	2.0	2.4	10	600	606	609	610	40

LED COLOR	ABSOLUTE MAXIMUM RATINGS AT 25°C AMBIENT						
	FORWARD CURRENT (mA)	PEAK FORWARD CURRENT (mA) (t ≤ 10μs, D = .005)	LINEAR DERATION	REVERSE VOLTAGE (V)	OPERATING TEMPERATURE	STORAGE TEMPERATURE	ESD WITHSTAND VOLTAGE (V)
InGaAlP RED	30	1000	1.00 mA/°C FROM 85°C	12	-40°C / +100°C	-40°C / +100°C	2000
GaAlAs RED	30	155	0.42 mA/°C FROM 25°C	12	-40°C / +85°C	-40°C / +85°C	3000
InGaAlP GREEN	30	1000	1.00 mA/°C FROM 85°C	12	-40°C / +100°C	-40°C / +100°C	2000
InGaAlP YELLOW	30	200	1.00 mA/°C FROM 85°C	12	-40°C / +100°C	-40°C / +100°C	2000
InGaAlP ORANGE	30	1000	1.00 mA/°C FROM 85°C	12	-40°C / +100°C	-40°C / +100°C	2000



- NOTES :
- PAD NUMBERS ARE FOR REFERENCE ONLY, DESIGNATION NON-EXISTENT ON PART.
 - STORAGE CONDITIONS FOR TAPED PRODUCT: RE-TAPING MAY BE NECESSARY FOR PRODUCTS STORED MORE THAN TWELVE MONTHS.
 - ORDER QUANTITY IS LED ASSEMBLIES, NOT REELS.
 - ...-002NF SUFFIX MEANS PARTS ARE PACKED ON A 20 pc SAMPLE STRIP
 ...-007NF SUFFIX MEANS PARTS ARE PACKED ON A 7 INCH REEL , 400 pcs/REEL
 ...-013NF SUFFIX MEANS PARTS ARE PACKED ON A 13 INCH REEL , 1600 pcs/REEL
 - LENS MOVEMENT IN RELATIONSHIP TO THE HOUSING IS .009" T.I.R. VERTICALLY AND .007" T.I.R. HORIZONTALLY.
 - FRONT AND REAR TERMINALS OF THE ASSEMBLY TO BE WITHIN .005 COPLANARITY.
 - DIALIGHT PART NUMBERS = 591-2X01-002NF, 591-2X01-007NF, 591-2X01-013NF
 - MOISTURE SENSITIVITY LEVEL: "3" FOR P/N 591-2101-0XXNF
 "2" FOR ALL OTHER P/N'S
 - THIS ASSEMBLY CONTAINS ELECTROSTATIC DISCHARGE SENSITIVE DEVICES (ESDS). MAINTAIN ALL PRECAUTIONARY MEASURES DURING ASSEMBLY, HANDLING AND STORAGE IN ACCORDANCE WITH IPC-A-610.



THIS DRAWING AND THE CONTENTS HEREIN ARE CONFIDENTIAL AND THE SOLE PROPERTY OF DIALIGHT CORP. REPRODUCTION OF THIS DRAWING OR CONSTRUCTION OF ANY PARTS WITHIN THIS DRAWING ARE FORBIDDEN WITHOUT THE WRITTEN CONSENT OF DIALIGHT CORP.		
SCALE: 8.000	DRAWING NUMBER	REV
ALL DIM'S IN: INCHES (MM)	C-18499	A
TOLERANCES: UNLESS OTHERWISE SPECIFIED	TITLE SURFACE MOUNT CBI - ROUND LENS	
FRACTIONS: ±1/64	RoHS COMPLIANT	
DECIMALS (.XX): ±.02	MATERIAL	
DECIMALS (.XXX): ±.015	FINISH	
ANGLES: ±3°	FSCM 83330	
SHEET 1 OF 1 FAMILY TABLE:		

