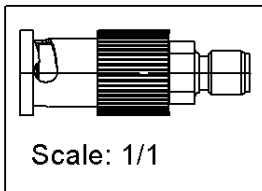
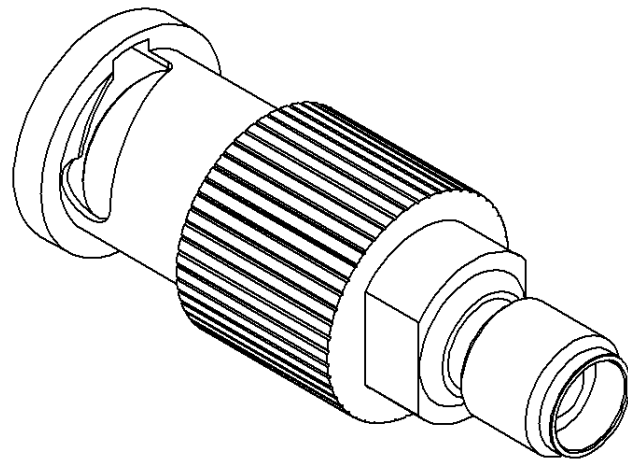
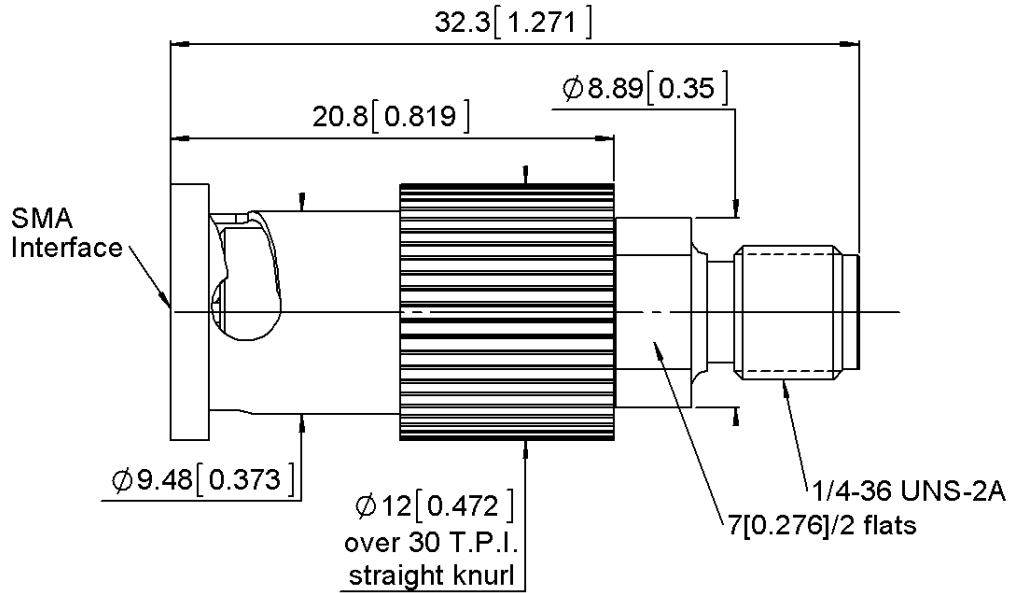
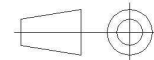


PAGE 1/2	ISSUE 1341 D	SERIES ADAPT	PART NUMBER 5913-2503-000
----------	--------------	--------------	---------------------------



All dimensions are in mm.



COMPONENTS	MATERIALS	PLATING (µm)
Bodies	STAINLESS STEEL	PASSIVATION
Center contact	BERYLLIUM COPPER	NPGR
Outer contact	BRASS.	GOLD 0.2 OVER NICKEL 2
Insulator	PTFE	
Gasket		
Others parts		
-	-	-
-	-	-

PAGE 2/2	ISSUE 1341 D	SERIES ADAPT	PART NUMBER 5913-2503-000
----------	--------------	--------------	---------------------------

PACKAGING

Standard	Unit	Other
100	Contact us	Contact us

ELECTRICAL CHARACTERISTICS

Impedance		50	Ω
Frequency		0-26	GHz
VSWR	1.1 +	0.0000	x F(GHz) Maxi
Insertion loss		0.06	√F(GHz) dB Maxi
RF leakage	- (N/A	- F(GHz) dB Maxi
Voltage rating		500	Veff Maxi
Dielectric withstanding voltage		1000	Veff mini
Insulation resistance		5000	MΩ mini

ENVIRONMENTAL

Operating	-65/+165	°C
Hermetic seal		Atm.cm3/s
Panel leakage		

MECHANICAL CHARACTERISTICS

Center contact retention			
Axial force – Mating End		2.8	N mini
Axial force – Opposite end			N mini
Torque			N.cm mini
Recommended torque			
Mating	SMA	0	N.cm
	SMA	0	N.cm
		0	N.cm
Panel nut			N.cm
Mating life		5000	Cycles mini
Weight		12.3520	g

SPECIFICATION

OTHER CHARACTERISTICS