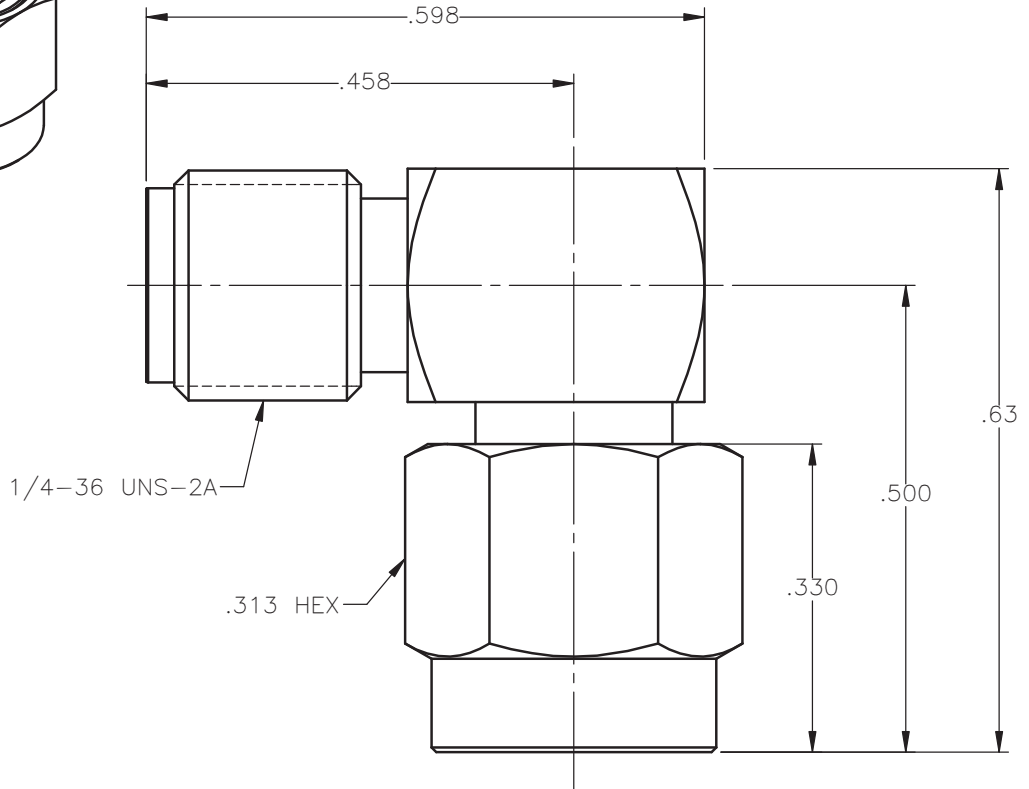


REVISIONS			
REV.	DESCRIPTION	DATE	APPROVED
B	UPDATED VSWR	02/11/14	D.N.



NOTES:



MATERIALS:

1. BODIES & COUPLING NUT = STAINLESS STEEL PER ASTM A582, ALLOY 303, CONDITION "A".
2. INSULATORS = VIRGIN WHITE TEFLON PER ASTM D1710, GRADE 1, TYPE I, CLASS "B".
3. FEMALE CONTACT & RETAINING RING = BERYLLIUM COPPER PER ASTM B196, ALLOY C17300, TEMPER TD04.
4. MALE CONTACT & CAP = BRASS PER ASTM B16, ALLOY C36000, TEMPER H02.
5. GASKET = SILICONE RUBBER PER ZZ-R-765, CLASS 2B, GRADE 65-75.

FINISHES:

1. CONTACTS = GOLD PLATE PER MIL-G-45204, TYPE II, CLASS 1, GRADE C, OVER .00010 TO .00020 STRESS FREE SULFAMATE NICKEL PER QQ-N-290.
2. CAP = NICKEL PLATE PER QQ-N-290, CLASS 1, GRADE G, EXCEPT .0001 TO .0002 THICK OVER .00005 TO .0001 THICK COPPER PER MIL-C-14550.
3. BODIES & COUPLING NUT = PASSIVATE PER QQ-P-35, TYPE VI.

VSWR: 1.10 + .006 x F(GHz) MAX, UP TO 12GHz.

UNLESS OTHERWISE SPECIFIED DIMENSIONS ARE IN INCHES TOLERANCES ON		DWN: A.D.M.	DATE: 07/12/07	 Property of Radiall This document cannot be reproduced or communicated to a third party without prior written permission of RADIALL.	
DECIMAL	ANGLE	CHKD: D.N.	DATE: 07/12/07		
		APVD: J.M.	DATE: 07/12/07		
REFERENCE:		MATERIALS & FINISHES:		SMA RIGHT ANGLE PLUG TO JACK ADAPTER SIZE A FSCM NO. 19505 DWG NO. 5919-9503-000 REV B SCALE 5:1 THIRD ANGLE PROJECTION	
ORIGINATED: A.D.M. DATE: 07/12/07		SEE NOTES			

5919-9503-000