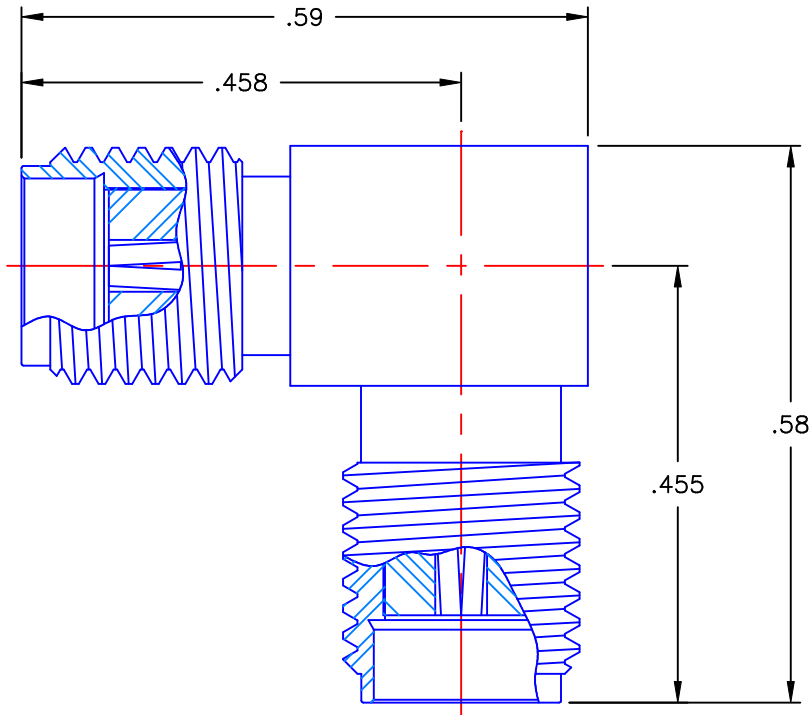


PROPRIETARY INFORMATION
 NOT TO BE RELEASED
 WITHOUT WRITTEN PERMISSION
 FROM AN AUTHORIZED
 REPRESENTATIVE OF
 APPLIED ENGINEERING PRODUCTS

| REVISIONS | | | |
|-----------|-----------------|----------|----------|
| REV | DESCRIPTION | DATE | APPROVED |
| - | INITIAL RELEASE | 12/21/05 | D.N. |





NOTES:

MATERIALS:

1. BODIES = STAINLESS STEEL PER ASTM A582, ALLOY 303, CONDITION "A".
2. INSULATORS = VIRGIN WHITE TEFLON PER ASTM D1710, GRADE 1, TYPE I, CLASS "B".
3. CONTACTS = BERYLLIUM COPPER PER ASTM B196, ALLOY C17300, TEMPER TD04.
4. CAP = BRASS PER ASTM B16, ALLOY C36000, TEMPER H02.

FINISHES:

1. BODIES = PASSIVATE PER QQ-P-35, TYPE VI.
2. CONTACTS = GOLD PLATE PER MIL-G-45204, TYPE II, CLASS 1, GRADE C, OVER .00010 TO .00020 STRESS FREE SULFAMATE NICKEL PER QQ-N-290.
3. CAP = NICKEL PLATE PER QQ-N-290, CLASS 1, GRADE G, EXCEPT .0001 TO .0002 THICK OVER .00005 TO .0001 THICK COPPER PER MIL-C-14550.

| | | | | |
|---|-------|-----------------------|----------------|--|
| UNLESS OTHERWISE SPECIFIED DIMENSIONS ARE IN INCHES TOLERANCES ON | | DWN: D.N. | DATE: 12/21/05 |  APPLIED ENGINEERING PRODUCTS 104 John W. Murphy Dr. New Haven, CT 06513 |
| | | CHKD: A.D.M. | DATE: 12/21/05 | |
| DECIMAL | ANGLE | APVD: D.J.C. | DATE: 12/21/05 | SMA RIGHT ANGLE JACK TO JACK ADAPTER |
| | | | | |
| REFERENCE: | | MATERIALS & FINISHES: | | SIZE: A |
| ORIGINATOR: D.N. DATE: 12/21/05 | | SEE NOTES | | FSCM NO.: 19505 |
| | | | | DWG NO.: 5919-9503-003 |
| | | | | REV: - |
| | | | | SCALE: 5:1 |
| | | | | THIRD ANGLE PROJECTION  |
| | | | | SHEET 1 OF 1 |

5919-9503-003