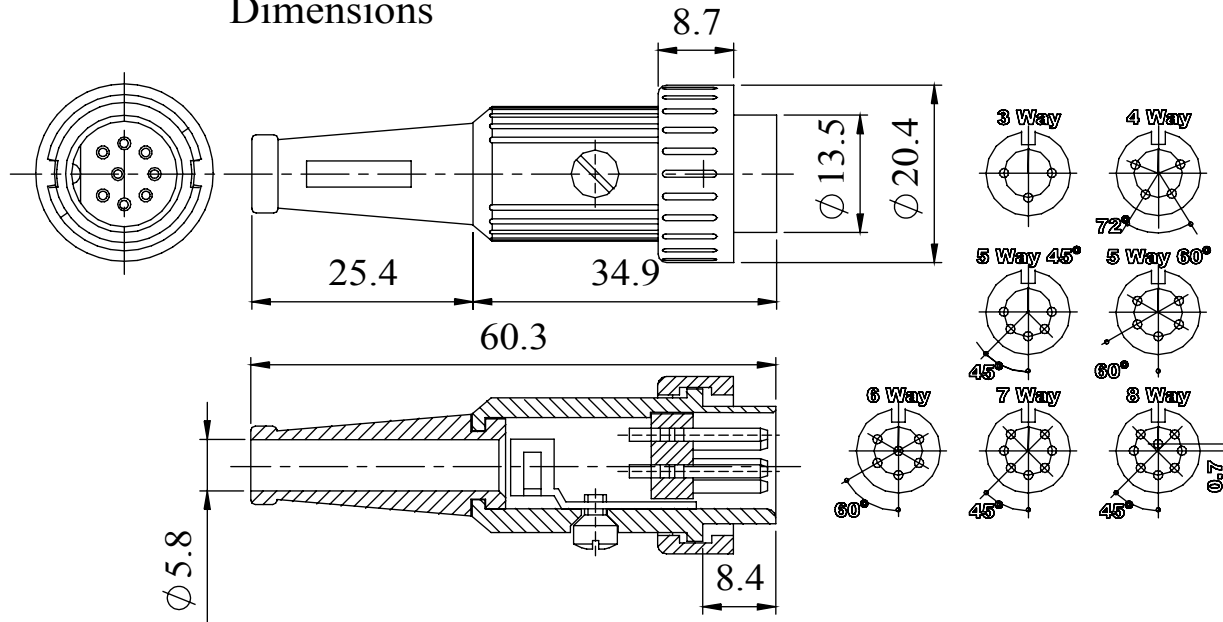


A fully screened robust range of DIN connectors for use in instrumentation and audio applications. Available in bright nickel finish with an interchangeable black plastic locking ring. Five other colours are available (sold separately). A simple half turn of the ring secures the plug onto the mating panel socket (which can also be colour coded). Robust construction incorporating cable grip and strain relief. Manufactured to DIN 41524, 45322, 45326, 45327 and 45329.



Materials	
Housing	Zinc Alloy
	Bright Nickel Plated
Moulding	Lexan 500R
Contacts	Brass Silver Plated
Cable Clamp	Mild steel Zinc Plated
Grommet	Black P.V.C
Locking Ring	Polyester, Black
Mechanical Operations	10,000 Locking Ring Torque @ 0.5 Nm
Electrical	
Rated Voltage	34 V a.c. or d.c.
Current Rating	2.A
Test Voltage	500 V r.m.s.
Insulation Resistance	103 MΩ min at 100 V d.c
Contact Resistance	10 mΩ max
Capacitance (mated)	3pF
Climatic	
Climatic category	25/070/21
Temperature Range	-25°C to +70°C
Damp heat, steady state	21 days

Dimensions



Type	Deltron No
3 Way	592-0301
4 Way	592-0401
5 Way 45°	592-0501
5 Way 60°	592-0511
6 Way	592-0601
7 Way	592-0701
8 Way	592-0801

Tel No. +44(0)1724 273200 Website www.dem-uk.com



PROPRIETARY AND CONFIDENTIAL
 THE INFORMATION CONTAINED IN THIS DRAWING IS THE SOLE PROPERTY OF ALPHA 3 MANUFACTURING.
 ANY REPRODUCTION IN PART OR AS A WHOLE WITHOUT THE WRITTEN PERMISSION OF ALPHA 3 MANUFACTURING IS PROHIBITED.

DEM Manufacturing, Deltron Emcon House
 Hargreaves Way, Sawcliffe Ind. Park,
 Scunthorpe, North Lincolnshire, DN15 8RF, UK

UNLESS OTHERWISE SPECIFIED:
 DIMENSIONS ARE IN MILLIMETRES
 LINEAR TOLERANCE:
NO DECIMAL PLACES ±0.5mm
1 DECIMAL PLACE ±0.25mm
2 DECIMAL PLACES ±0.125mm
 ANGULAR TOLERANCE: ±1°

FINISH RING LOCK
 DIN CONNECTORS
 STANDARD PLUG
 IF IN DOUBT ASK
 DO NOT SCALE DRAWING

MATERIAL SEE NOTE

DEBURR AND BREAK
 SHARP EDGES

DRAWN BY
 APPROVED BY



SPB
 WC
 SHEET 1 OF 1
 SCALE 1:1
 A4

TITLE GENERAL SPECIFICATION
 592 SERIES
 CONNECTORS
 DRAWING NO. 592 SERIES
 ISSUE 06
 Release