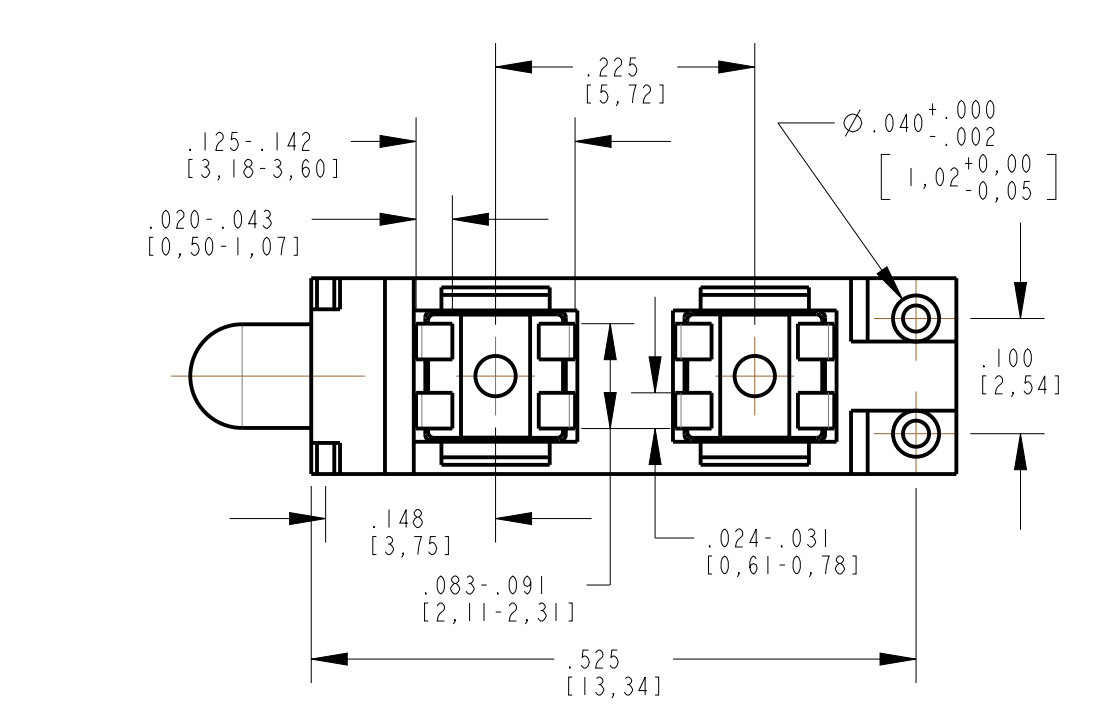
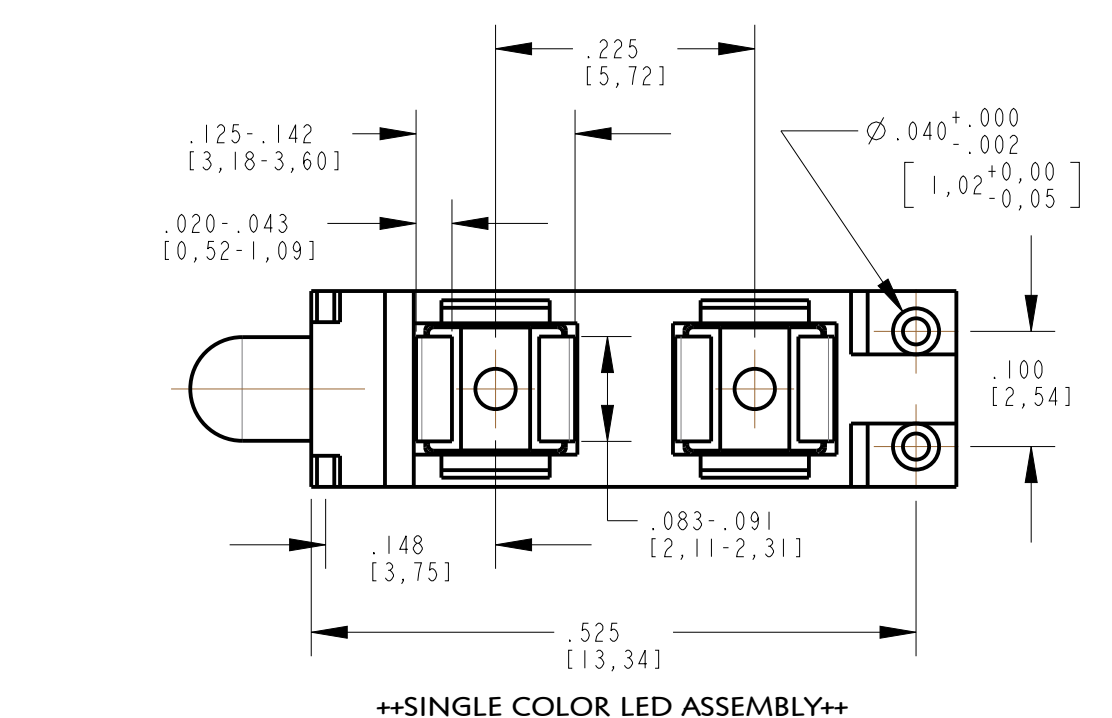
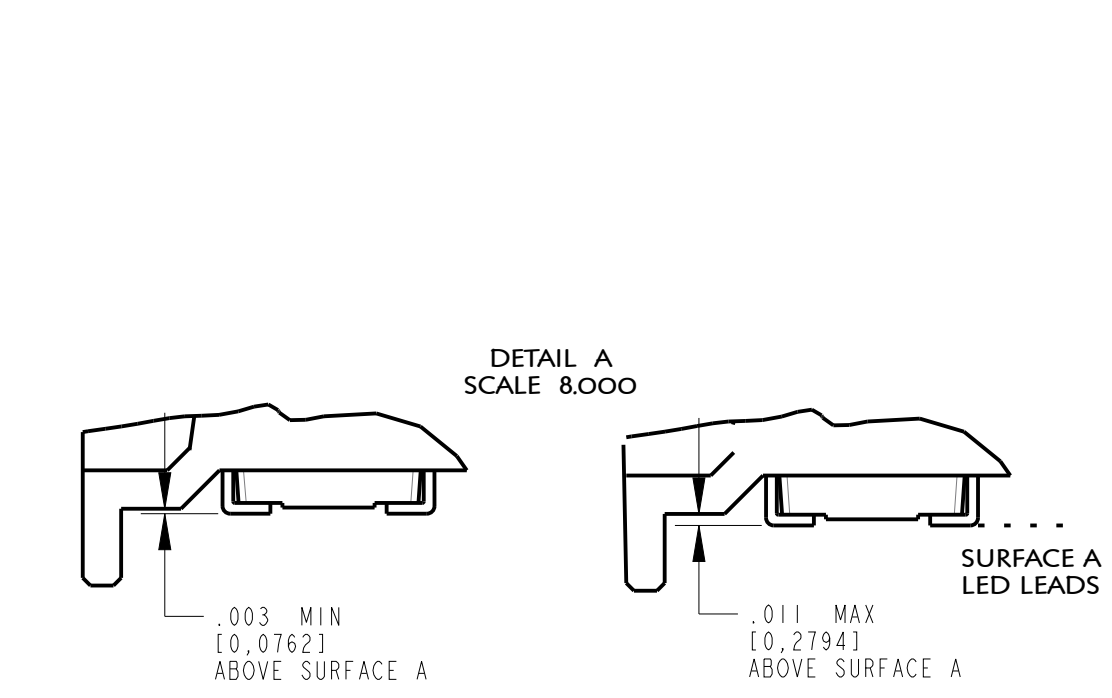
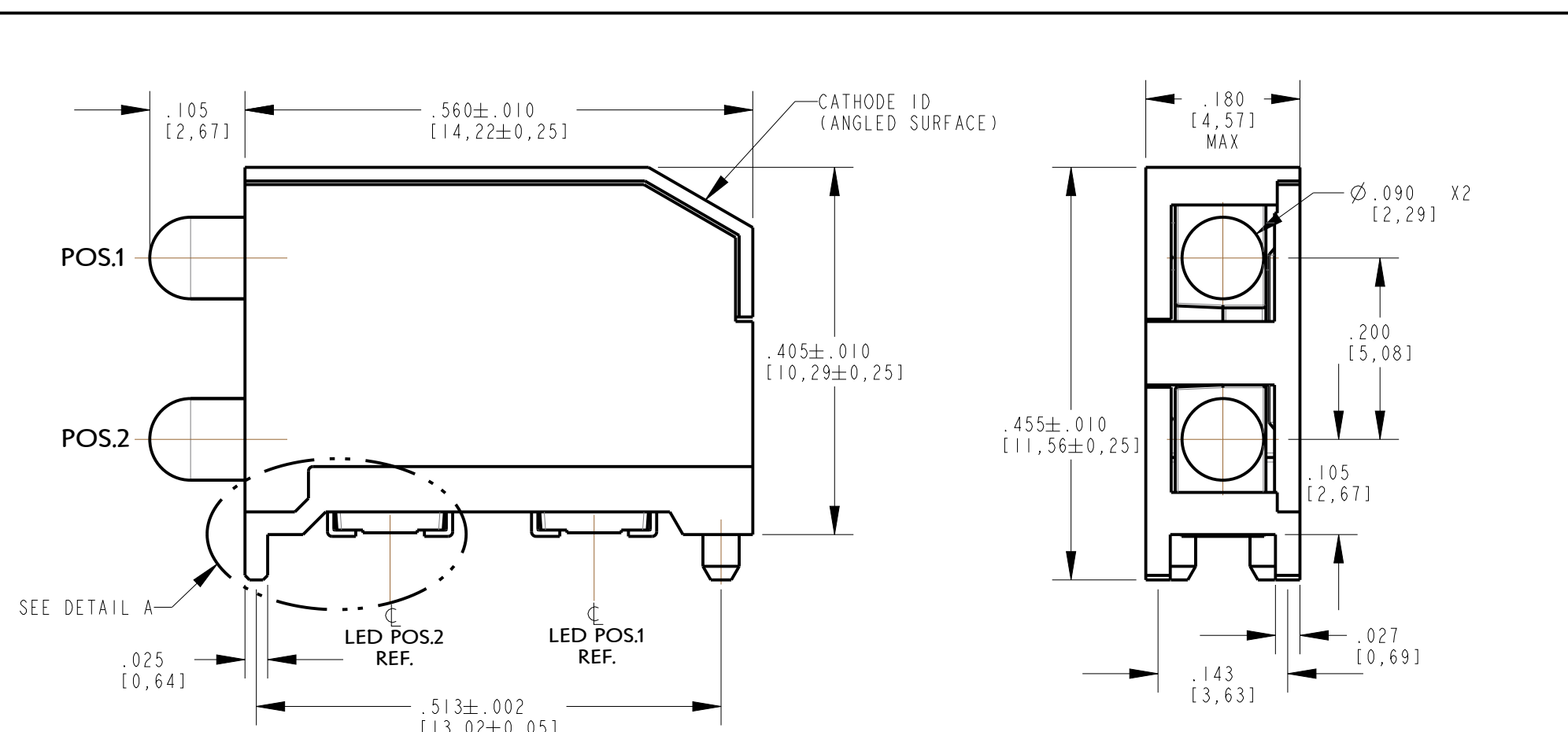
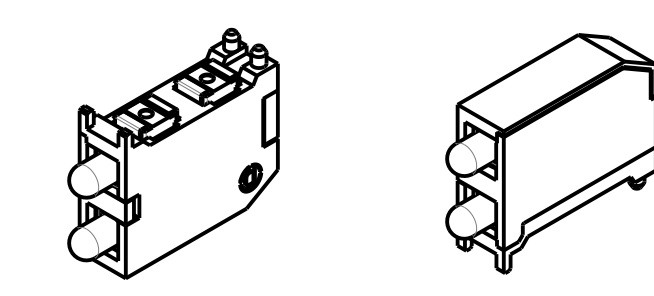


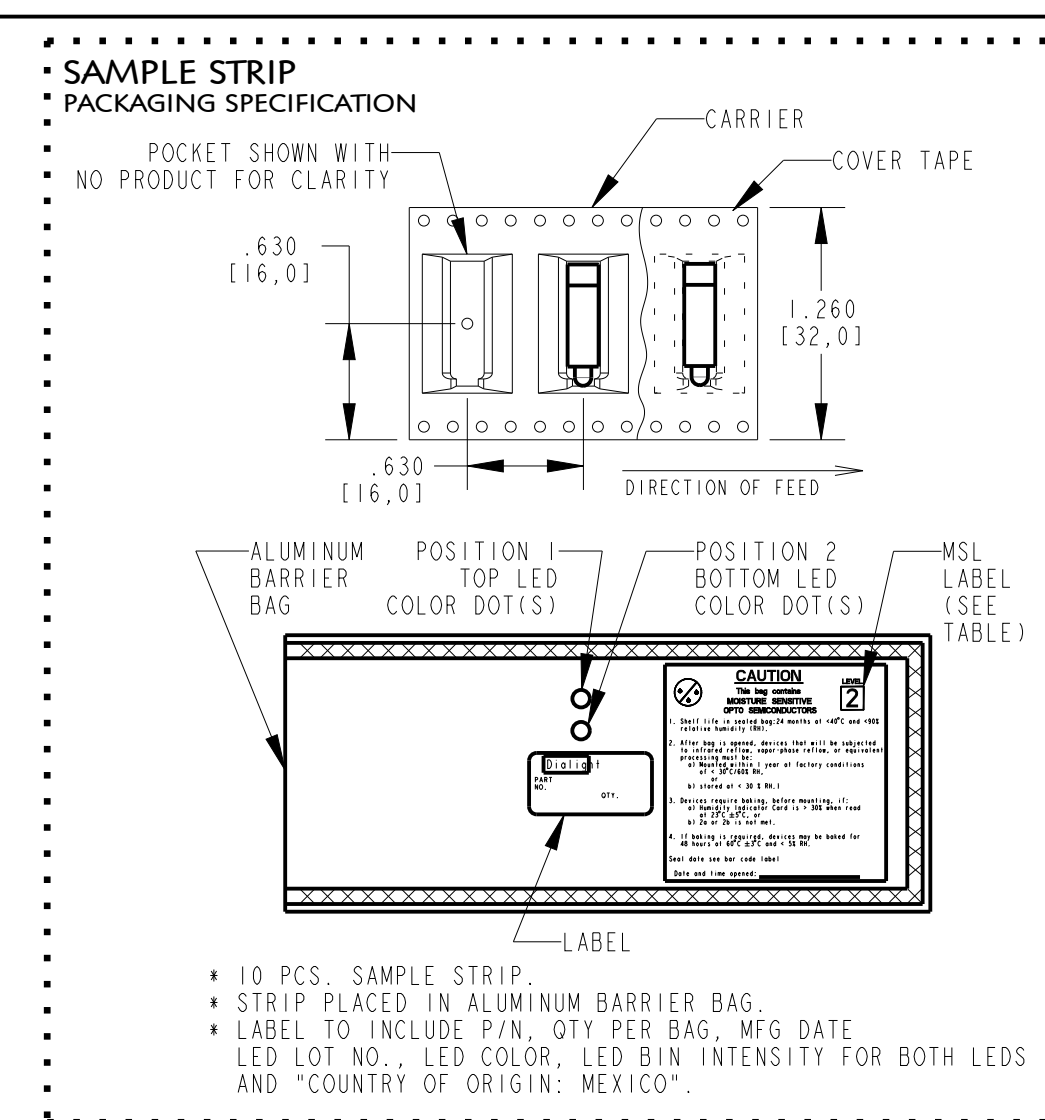
DIALIGHT PART NUMBER	PACKAGING	POSITION 1	POSITION 2	MSL
592-2020-302NF	SAMPLE STRIP	RED [HI, EFF]	RED [HI, EFF]	2
592-2020-313NF	13" REEL	RED [HI, EFF]	RED [HI, EFF]	2
592-2023-302NF	SAMPLE STRIP	RED [HI, EFF]	GREEN	2
592-2023-313NF	13" REEL	RED [HI, EFF]	GREEN	2
592-2121-302NF	SAMPLE STRIP	RED 640nm	RED 640nm	3
592-2121-313NF	13" REEL	RED 640nm	RED 640nm	3
592-2122-302NF	SAMPLE STRIP	RED 640nm	GREEN 3	
592-2122-313NF	13" REEL	RED 640nm	GREEN 3	
592-2124-302NF	SAMPLE STRIP	RED 640nm	YELLOW 3	
592-2124-313NF	13" REEL	RED 640nm	YELLOW 3	
592-2126-302NF	SAMPLE STRIP	RED 640nm	BLUE [InGaN]	3
592-2126-313NF	13" REEL	RED 640nm	BLUE [InGaN]	3
592-2135-302NF	SAMPLE STRIP	RED 640nm	RED/GRN/BLUE 3	
592-2135-313NF	13" REEL	RED 640nm	RED/GRN/BLUE 3	
592-2221-302NF	SAMPLE STRIP	GREEN 640nm	RED 640nm	2
592-2221-313NF	13" REEL	GREEN 640nm	RED 640nm	2
592-2320-302NF	SAMPLE STRIP	GREEN [HI, EFF]	GREEN 2	
592-2320-313NF	13" REEL	GREEN [HI, EFF]	GREEN 2	
592-2323-302NF	SAMPLE STRIP	GREEN	YELLOW 2	
592-2323-313NF	13" REEL	GREEN	YELLOW 2	
592-2324-302NF	SAMPLE STRIP	GREEN	YELLOW 2	
592-2324-313NF	13" REEL	GREEN	YELLOW 2	
592-2326-302NF	SAMPLE STRIP	GREEN	BLUE [InGaN]	2
592-2326-313NF	13" REEL	GREEN	BLUE [InGaN]	2
592-2420-302NF	SAMPLE STRIP	YELLOW	RED	2
592-2420-313NF	13" REEL	YELLOW	RED	2
592-2422-302NF	SAMPLE STRIP	YELLOW	GREEN [HI, INT]	2
592-2422-313NF	13" REEL	YELLOW	GREEN [HI, INT]	2
592-2423-302NF	SAMPLE STRIP	YELLOW	GREEN 2	
592-2423-313NF	13" REEL	YELLOW	GREEN 2	
592-2424-302NF	SAMPLE STRIP	YELLOW	YELLOW 2	
592-2424-313NF	13" REEL	YELLOW	YELLOW 2	
592-2429-302NF	SAMPLE STRIP	YELLOW	GREEN [InGaN]	2
592-2429-313NF	13" REEL	YELLOW	GREEN [InGaN]	2
592-2525-302NF	SAMPLE STRIP	ORANGE	ORANGE 2	
592-2525-313NF	13" REEL	ORANGE	ORANGE 2	
592-3024-302NF	SAMPLE STRIP	RED/GREEN	YELLOW 2	
592-3024-313NF	13" REEL	RED/GREEN	YELLOW 2	
592-3123-302NF	SAMPLE STRIP	YELLOW/GREEN	GREEN 2	
592-3123-313NF	13" REEL	YELLOW/GREEN	GREEN 2	
592-3520-302NF	SAMPLE STRIP	RED/GRN/BLUE	RED 2	
592-3520-313NF	13" REEL	RED/GRN/BLUE	RED 2	



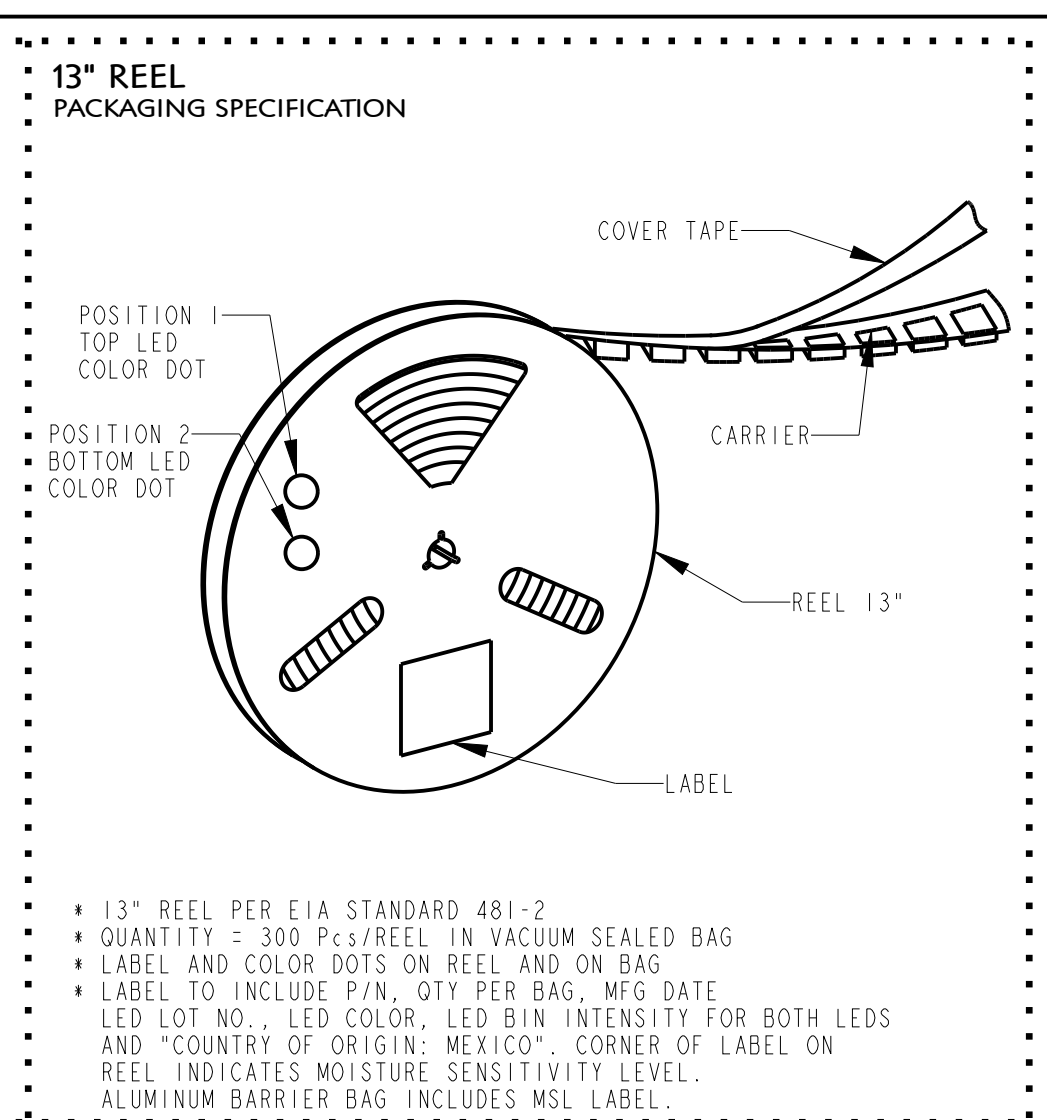
- NOTES :
- DIALIGHT PART NUMBERS: 592-XXXX-3XXNF.
  - ...-302NF SUFFIX MEANS PARTS ARE SUPPLIED ON A 10 PCS. SAMPLE STRIP  
...-313NF SUFFIX MEANS PARTS ARE SUPPLIED ON A 13 INCH REEL, 300 PCS/REEL
  - FRONT AND REAR TERMINALS [OF EACH LED] OF THE ASSEMBLY TO BE WITHIN .005" COPLANARITY.
  - STORAGE CONDITIONS FOR TAPED PRODUCT: RE-TAPING MAY BE NECESSARY FOR PRODUCT STORED MORE THAN TWELVE MONTHS.
  - PIN NUMBERS ARE FOR REFERENCE ONLY, DESIGNATION NON-EXISTENT ON PART.
  - MOISTURE SENSITIVITY LEVEL LABEL WILL BE PLACED ON BAG. CHECK CHART FOR PROPER LEVEL.
  - THIS ASSEMBLY CONTAINS ELECTROSTATIC DISCHARGE SENSITIVE DEVICES (ESDS). MAINTAIN ALL PRECAUTIONARY MEASURES DURING ASSEMBLY, HANDLING, AND STORAGE IN ACCORDANCE WITH IPC-A-610.
  - FLAMMABILITY RATING  
HOUSING: UL-94-VO  
SILICONE LENS AND LED: UL-94HB



SCALE 2.000



- 10 PCS. SAMPLE STRIP.
- STRIP PLACED IN ALUMINUM BARRIER BAG.
- LABEL TO INCLUDE P/N, QTY PER BAG, MFG DATE, LED LOT NO., LED COLOR, LED BIN INTENSITY FOR BOTH LEADS AND "COUNTRY OF ORIGIN: MEXICO".



- 13" REEL PER EIA STANDARD 481-2
- QUANTITY = 300 PCS/REEL IN VACUUM SEALED BAG
- LABEL AND COLOR DOTS ON REEL AND ON BAG
- LABEL TO INCLUDE P/N, QTY PER BAG, MFG DATE, LED LOT NO., LED COLOR, LED BIN INTENSITY FOR BOTH LEADS AND "COUNTRY OF ORIGIN: MEXICO". CORNER OF LABEL ON REEL INDICATES MOISTURE SENSITIVITY LEVEL.
- ALUMINUM BARRIER BAG INCLUDES MSL LABEL.

OPERATING CHARACTERISTICS AT 25°C AMBIENT - SINGLE COLOR LEDs										
COLOR	LUMINOUS INTENSITY (mcd)	TEST CURRENT (mA)	DOMINANT WAVELENGTH (nm)			PEAK WAVELENGTH (nm)		FORWARD VOLTAGE (V) @ 20mA		REVERSE CURRENT (µA)
#	DESCRIPTION	TYP	MIN	TYP	MAX	TYP	TYP	MAX	MAX	
20	RED [HI, EFF]	12	10	627	633	639	635	2.0	2.3	10 @ Vr=12 V
21	RED [AlGaAs]	29	10	—	640	—	660	1.85	2.5	10 @ Vr=12 V
22	GREEN [HI, INT]	18	10	564	570	576	572	2.0	2.5	10 @ Vr=12 V
23	GREEN	18	10	566	570	575	572	2.0	2.4	10 @ Vr=12 V
24	YELLOW	50	10	580	587	595	586	2.0	2.4	10 @ Vr=5 V
25	ORANGE	81	10	600	606	609	610	2.0	2.4	10 @ Vr=5 V
26	BLUE [InGaN]	6	10	462	465	468	428	3.5	4.1	10 @ Vr=12 V
27	YELLOW [AlInGaP]	60	20	X= 285; Y= 259; Z= 33; V= 367; W= 33; U= 401	—	—	—	3.1	3.7	10 @ Vr=5 V
28	WHITE	34	10	—	—	—	—	—	—	—
29	GREEN [InGaN]	56	20	—	—	—	—	—	—	—

ABSOLUTE MAXIMUM RATINGS AT 25°C AMBIENT SINGLE COLOR LEDs	COLOR										UNITS	
	RED [HI, EFF]	RED [AlGaAs]	GREEN [HI, INT]	YELLOW [AlInGaP]	ORANGE	WHITE	BLUE [InGaN]	GREEN [InGaN]				
PEAK FORWARD CURRENT (1/200 DUTY CYCLE, 10µs PULSE WIDTH)	1000	155	1000	1000	200	200	1000	200	200	200	mA	
CONTINUOUS FORWARD CURRENT	30	30	30	30	30	30	30	30	30	30	mA	
LINEAR DERATING (FROM 85°C)	1.0	.42	1.0	1.0	1.0	1.0	0.60	0.44	0.42	0.42	mA/°C	
REVERSE VOLTAGE	12	12	12	12	12	12	5	5	5	5	V	
LEAD REFLOW SOLDERING TEMP (FOR 5 SEC.)	260										°C	
OPERATING TEMPERATURE	-40 TO +100					-40 TO +100					-55 TO +100	°C
STORAGE TEMPERATURE	-40 TO +100					-40 TO +100					-55 TO +100	°C

#30 & #31 OPERATING CHARACTERISTICS AT 25°C AMBIENT											
LED COLOR	LUMINOUS INTENSITY (mcd) @ If = 10 mA	FORWARD VOLTAGE (V) @ If = 2 mA	REVERSE CURRENT (µA) @ V = 12V	DOMINANT WAVELENGTH (nm)			PEAK WAVELENGTH (nm)				
	MIN	TYP	MAX	TYP	MAX	MIN	TYP	MAX	TYP		
RED/GRN	11	—	—	1.8	2.2	0.01	10	624	630	636	643
GREEN	5	—	—	—	—	—	—	566	570	575	572
YLW/GRN	14	—	—	1.8	2.2	0.01	10	580	587	595	591
GREEN	5	—	—	—	—	—	—	566	570	575	572

ABSOLUTE MAXIMUM RATINGS AT 25°C AMBIENT RED/GRN & YLW/GRN BI-COLOR LED				RED/GRN	YLW/GRN	UNITS
CONTINUOUS FORWARD CURRENT				15		mA
REVERSE VOLTAGE				12		V
SURGE CURRENT				100		mA
PEAK SOLDERING TEMPERATURE				245		°C
OPERATING TEMPERATURE				-40 TO +100		°C
STORAGE TEMPERATURE				-40 TO +100		°C

OPERATING CHARACTERISTICS AT 25°C AMBIENT - RED/YELLOW BI-COLOR LED										
#32	COLOR	LUMINOUS INTENSITY (mcd)	TEST CURRENT (mA)	DOMINANT WAVELENGTH (nm)			PEAK WAVELENGTH (nm)			FORWARD VOLTAGE (V)
		TYP		MIN	TYP	MAX	TYP	TYP	MAX	
	RED	21	20	627	633	639	645	2.0	2.3	
	YELLOW	34	20	580	587	595	591	2.0	2.4	

ABSOLUTE MAXIMUM RATINGS AT 25°C AMBIENT - RED/YELLOW BI-COLOR LED				RED	YELLOW	UNITS
POWER DISSIPATION				80	80	mW
PEAK FORWARD CURRENT (1/10 DUTY CYCLE, 10µs PULSE WIDTH)				1000	200	mA
CONTINUOUS FORWARD CURRENT				30	30	mA
LINEAR DERATING FROM 75°C				0.60	0.60	mA/°C
LEAD REFLOW SOLDERING TEMPERATURE (FOR 5 SEC.)				260		°C
OPERATING TEMPERATURE				-40 TO +100		°C
STORAGE TEMPERATURE				-40 TO +100		°C

OPERATING CHARACTERISTICS AT 25°C AMBIENT - RED/BLUE BI-COLOR LED										
#34	COLOR	LUMINOUS INTENSITY (mcd)	TEST CURRENT (mA)	DOMINANT WAVELENGTH (nm)			PEAK WAVELENGTH (nm)			FORWARD VOLTAGE (V)
		TYP		MIN	TYP	MAX	TYP	TYP	MAX	
	RED	21	10	620	625	630	—	1.9	2.2	
	BLUE	24	10	465	467	470	—	3.0	3.2	

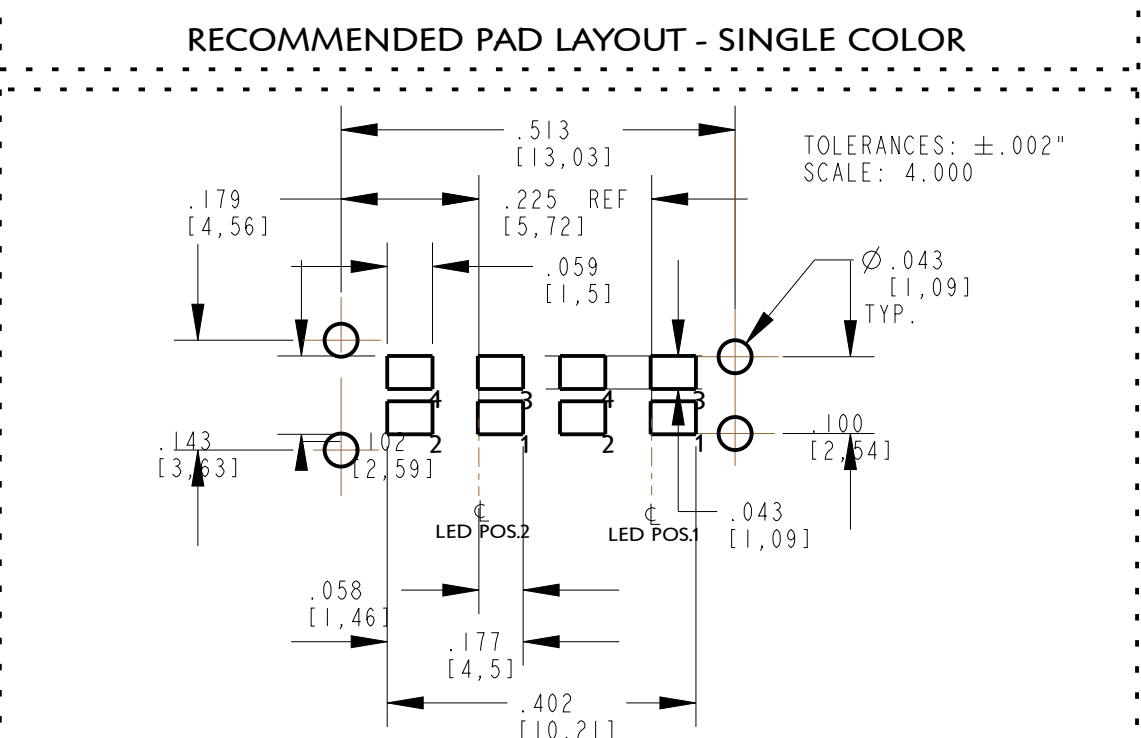
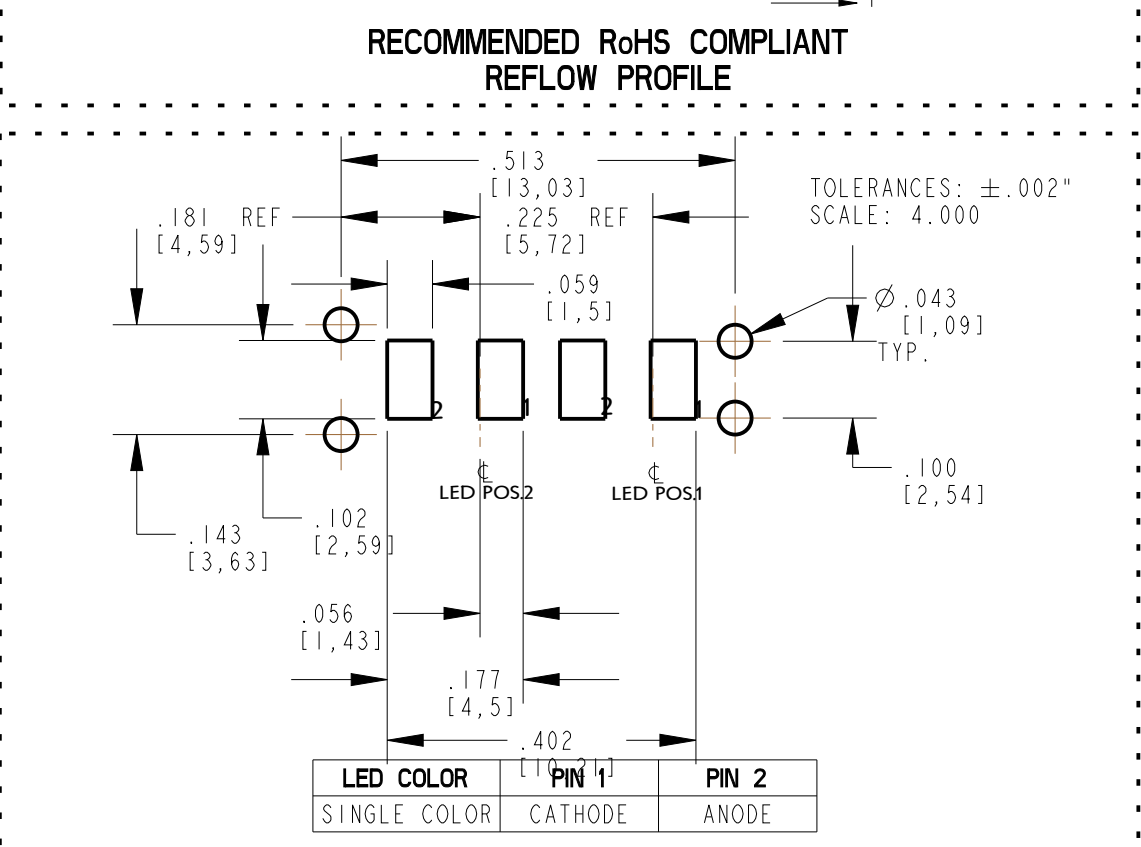
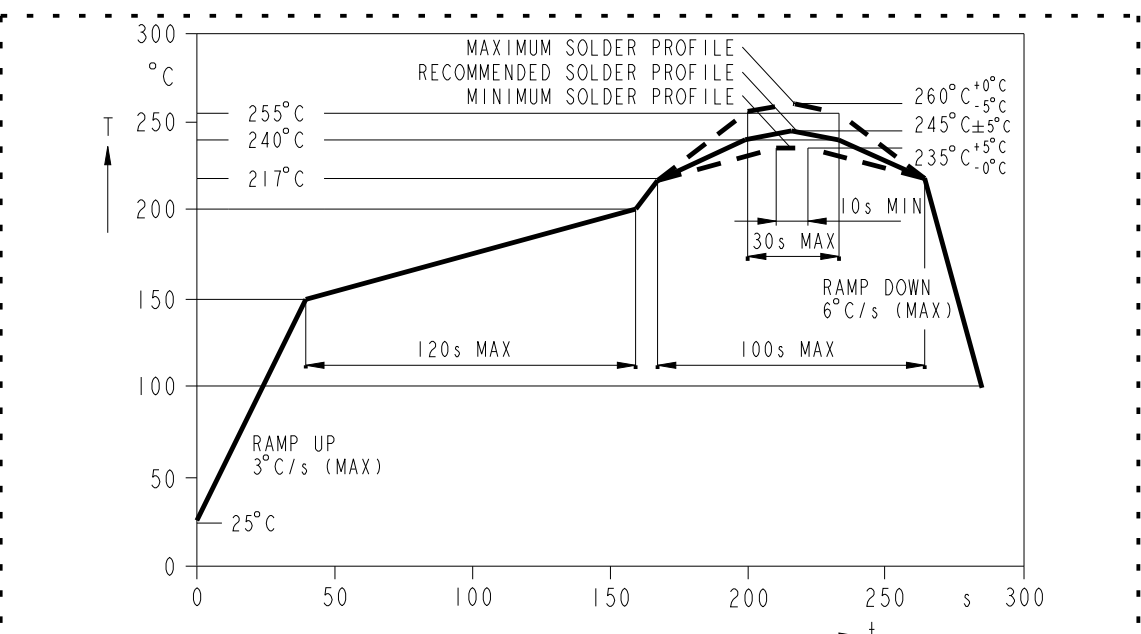
ABSOLUTE MAXIMUM RATINGS AT 25°C AMBIENT - RED/BLUE BI-COLOR LED				RED	BLUE	UNITS
PEAK FORWARD CURRENT (1/10 DUTY CYCLE, 10µs PULSE WIDTH)				100		mA
CONTINUOUS FORWARD CURRENT				30		mA
LINEAR DERATING FROM 80°C				1.0		mA/°C
LEAD REFLOW SOLDERING TEMPERATURE (FOR 5 SEC.)				260		°C
OPERATING TEMPERATURE				-40 TO +100		°C
STORAGE TEMPERATURE				-40 TO +100		°C

OPERATING CHARACTERISTICS AT 25°C AMBIENT - RED/GRN/BLUE TRI-COLOR LED										
#35	COLOR	LUMINOUS INTENSITY (mcd)	TEST CURRENT (mA)	DOMINANT WAVELENGTH (nm)			PEAK WAVELENGTH (nm)			FORWARD VOLTAGE (V)
		TYP		MIN	TYP	MAX	TYP	TYP	MAX	
	RED	31	20	626	635	635	1.9	2.4		
	GREEN	84	20	525	523	523	3.4	4.1		
	BLUE	16	20	470	468	468	3.4	4.1		

ABSOLUTE MAXIMUM RATINGS AT 25°C AMBIENT - RED/GRN/BLUE TRI-COLOR LED				RED	GREEN	BLUE	UNITS
POWER DISSIPATION				72	120	120	mW
PEAK FORWARD CURRENT (1/200 DUTY CYCLE, 10µs PULSE WIDTH)				30	20	20	mA
CONTINUOUS FORWARD CURRENT				30	30	30	mA
LINEAR DERATING FROM 80°C (+BLUE & GREEN FROM 70°C) 1 CHIP ON				1.00	+0.50	+0.50	mA/°C
LINEAR DERATING FROM 65°C (+BLUE & GREEN FROM 50°C) 3 CHIPS ON				0.75	+0.30	+0.30	mA/°C
LEAD REFLOW SOLDERING TEMPERATURE (FOR 5 SEC.)				260			°C
OPERATING TEMPERATURE				-55 TO +100			°C
STORAGE TEMPERATURE				-55 TO +100			°C

OPERATING CHARACTERISTICS AT 25°C AMBIENT - ORANGE/GREEN BI-COLOR LED										
#36	COLOR	LUMINOUS INTENSITY (mcd)	TEST CURRENT (mA)	DOMINANT WAVELENGTH (nm)			PEAK WAVELENGTH (nm)			FORWARD VOLTAGE (V)
		TYP		MIN	TYP	MAX	TYP	TYP	MAX	
	ORANGE	3	10	600	606	612	610	2.0	2.5	
	GREEN	4	10	564	570	576	572	2.0	2.5	

ABSOLUTE MAXIMUM RATINGS AT 25°C AMBIENT - ORANGE/GREEN BI-COLOR LED				ORANGE	GREEN	UNITS
POWER DISSIPATION				95	95	mW
PEAK FORWARD CURRENT (1/200 DUTY CYCLE, 10µs PULSE WIDTH)				500	500	mA
CONTINUOUS FORWARD CURRENT				30	30	mA
LINEAR DERATING FROM 55°C				0.66	0.66	mA/°C
LEAD REFLOW SOLDERING TEMPERATURE (FOR 5 SEC.)				260		°C
OPERATING TEMPERATURE				-40 TO +100		°C
STORAGE TEMPERATURE				-40 TO +100		°C



LED COLOR	PIN 1	PIN 2	PIN 3	PIN 4
RED/YELLOW	RED CATHODE	RED ANODE	YELLOW ANODE	YELLOW CATHODE
YELLOW/GREEN	YELLOW CATHODE	YELLOW ANODE	GREEN ANODE	GREEN CATHODE
RED/GREEN	RED CATHODE	RED ANODE	GREEN ANODE	GREEN CATHODE
RED/BLUE	RED CATHODE	RED ANODE	BLUE ANODE	BLUE CATHODE
ORANGE/GREEN	ORANGE CATHODE	ORANGE ANODE	GREEN ANODE	GREEN CATHODE
R/G/B TRI-COLOR	RED CATHODE	COMMON ANODE	GREEN CATHODE	BLUE CATHODE

**ATTENTION: OBSERVE PRECAUTIONS FOR HANDLING ELECTROSTATIC SENSITIVE DEVICES**

**RoHS COMPLIANT 592-XXXX-3XXNF**  
Part Numbers with the "F" suffix ending are RoHS Compliant.  
For example: 592-2020-302F  
Packaging is marked with "RoHS Compliant" label or equivalent markings. These parts can be used with RoHS reflow profile. Parts can be wave soldered, dip soldered or hand soldered using typical lead-free soldering process with max 260°C temp. for 5 sec.

THIS DRAWING AND THE CONTENTS HEREIN ARE CONFIDENTIAL AND THE SOLE PROPERTY OF DIALIGHT. REPRODUCTION OF THIS DRAWING OR CONSTRUCTION OF ANY PARTS WITHIN THIS DRAWING ARE FORBIDDEN WITHOUT THE WRITTEN CONSENT OF DIALIGHT.

SCALE: 6.000 DRAWING NUMBER: C-18503 REV A

TOLERANCES: UNLESS OTHERWISE SPECIFIED  
FRACTIONS: ±1/64  
DECIMALS (XXX): ±.012  
DECIMALS (XXXX): ±.010  
ANGLES: ±1°

TITLE: B1-LEVEL PRISM  
MATERIAL: ROHS COMPLIANT

FINISH: FSCM 83330

DIALIGHT 1501 ROUTE 34 SOUTH FARMINGDALE, NJ 07727

SHEET 1 OF 1 FAMILY TABLE: