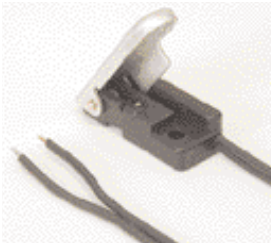


59230 Robust Lever Arm Sensor Features and Benefits



Features

- Sensor, magnet and vane contained in single housing
- Sensor operates when integral vane is depressed
- Choice of normally closed standard or normally closed high voltage contacts
- Choice of cable length and connector

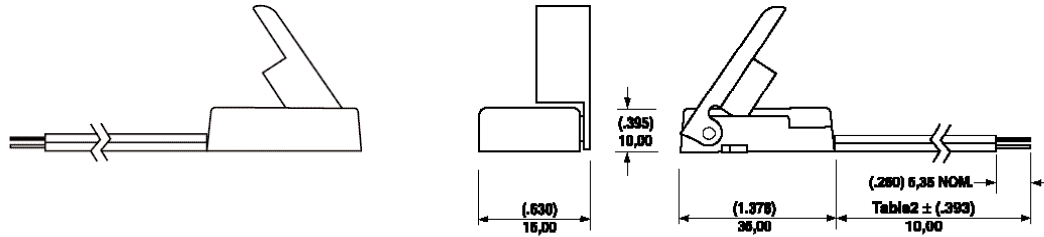
Benefits

- No standby power requirement
- Hermetically sealed, magnetically operated contacts continue to operate long after optical and other technologies fail due to contamination
- Simple installation and adjustment
- Single screw mounting

Applications

- Position and limit sensing
- Security system switch
- Door switch

DIMENSIONS (in) mm



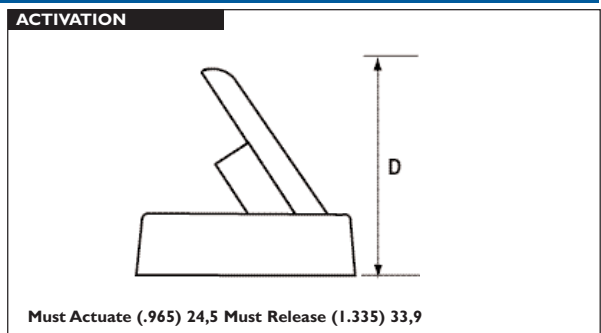
CUSTOMER OPTIONS - Switching Specifications

TABLE 1			Normally Closed	Normally Closed High Voltage
Contact Type			4	5
Switch Type	Power	Watt - max.	10	10
Voltage	Switching	Vdc - max.	200	300
	Breakdown	Vdc - min.	250	450
Current	Switching	A - max.	0.5	0.5
	Carry	A - max.	1.2	1.5
Resistance	Contact, Initial	Ω - max.	0.2	0.2
	Insulation	Ω - min.	10 ¹⁰	10 ¹⁰
Capacitance	Contact	pF - typ.	0.3	0.2
Temperature	Operating	°C	-40 to +105	-20 to +105
	Storage	°C	-65 to +105	-65 to +105
Time	Operate	ms - max.	1.0	1.0
	Release	ms - max.	1.0	1.0
Shock	11ms 1/2 sine	G - max.	100	100
Vibration	50-2000 Hz	G - max.	30	30

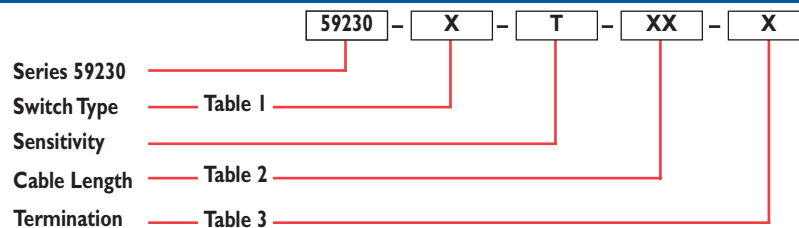
CUSTOMER OPTIONS - Cable Length and Termination Specification

TABLE 2	
Cable Type:- 14 AWG 10/30 PVC Fig 8	
Standard Lengths	
SELECT OPTION	CABLE LENGTH (in) mm
01	(3,94) 100
02	(11,81) 300
03	(19,69) 500
04	(29,53) 750
05	(39,37) 1000

TABLE 3		
Termination Options:-		
SELECT OPTION	DESCRIPTION	
A or F	Tinned or untinned leads	
C	6.35mm fastons	



ORDERING INFORMATION



Hamlin USA Tel: +1 920 648 3000 • Fax: +1 920 648 3001 • Email: sales.us@hamlin.com
Hamlin UK Tel: +44 (0)1379 649700 • Fax: +44 (0)1379 649702 • Email: sales.uk@hamlin.com
Hamlin Germany Tel: +49 (0) 6181 953660 • Fax: +49 (0) 6181 953666 • Email: sales.de@hamlin.com
Hamectrol France Tel: +33 (0) 1 4687 0202 • Fax: +33 (0) 1 4686 6786 • Email: sales.fr@hamlin.com