

# 59250 Seating Occupancy Reed Switch Sensor

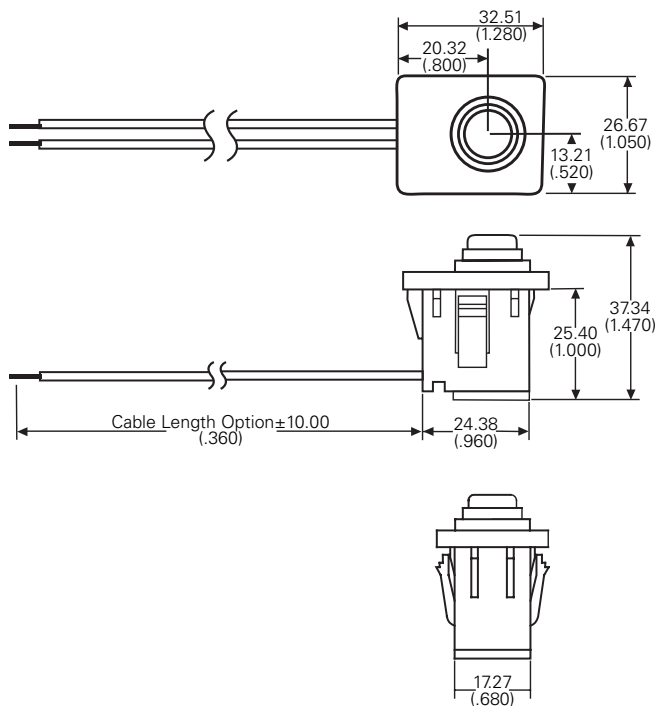
RoHS



Note: 59250 Sensor shown with Deutsch DTM04-2P connector.

## Dimensions

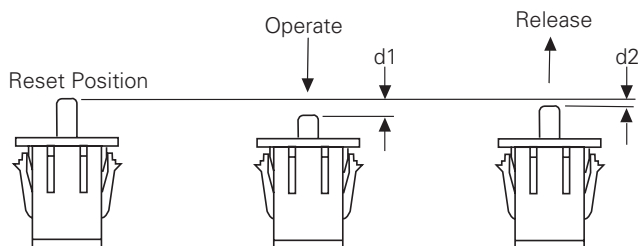
Dimensions in mm (inch)



## Activation (without boot)

**Operate Distance d1 5.5mm (0.217) max.**

**Release Distance d2 1.5mm (0.059) min.**



## Description

The 59250 is a magnetically operated push button sensor with a simple push-fit clip mounting. Normally open contacts actuate when the plunger is depressed. Switches up to 140Vac/200Vdc at 10W. It has integral neoprene boot for environmental protection. It is available with choice of various cable lengths and connector options.

## Features

- Magnetically operated position sensor
- Simple push fit mounting
- Operates when plunger is depressed
- Choice of cable length
- Choice of connector
- RoHS Compliant

## Benefits

- Robust construction makes this sensor well suited to harsh environments
- Integral neoprene boot provides protection from severe environments
- No standby power required
- Hermetically sealed, magnetically operated contacts give excellent life and reliability

## Applications

- Seat occupancy sensing
- Position and limit sensing

# 59250 Seating Occupancy Reed Switch Sensor

## Electrical Ratings

Contact Type			Normally Open
Switch Type			1
Contact Rating <sup>1</sup>		VA/Watt - max.	10
Voltage <sup>4</sup>	Switching <sup>2</sup>	Vdc - max.	200
	Breakdown <sup>3</sup>	Vac - max. Vdc - min.	140 250
Current <sup>4</sup>	Switching <sup>2</sup>	Adc - max.	0.5
	Carry	Aac - max. Adc - max.	0.35 0.5
Resistance <sup>5</sup>	Contact, Initial Insulation	$\Omega$ - max.	0.2
		$\Omega$ - min.	10 <sup>10</sup>
Capacitance	Contact	pF - typ.	0.2
Temperature	Operating	°C	-40 to +85

## Product Characteristics

Operate Time <sup>6</sup>		ms - max.	1.0
Release Time <sup>6</sup>		ms - max.	1.0
Shock <sup>7</sup>	11ms ½ sine	G - max.	100
Vibration <sup>7</sup>	50-2000 Hz	G - max.	30

### Notes:

- Contact rating - Product of the switching voltage and current should never exceed the wattage rating. Contact Littelfuse for additional load/life information.
- When switching inductive and/or capacitive loads, the effects of transient voltages and/or currents should be considered. Refer to Application Notes AN108A and AN107 for details.
- Breakdown Voltage - per MIL-STD-202, Method 301.
- Electrical Load Life Expectancy - Contact Littelfuse with voltage, current values along with type of load.
- This resistance value is for 11.81mm wire length. Resistance changes when wire lengthens.
- Operate (including bounce)/Release Time - per EIA/NARM RS-421-A, diode suppressed coil (Coil II).
- Shock and Vibration - per EIA/NARM RS-421-A and MIL-STD-202.
- For custom modifications to the wire length or size, or adding a special connector, please contact Littelfuse.