

# ACPL-267xL, ACPL-268KL, ACPL-560xL, ACPL-563xL, ACPL-665xL, and 5962-08242<sup>1</sup>

## Hermetically Sealed, 3.3V High-Speed, High CMR, Logic Gate Optocouplers

### Description

The Broadcom<sup>®</sup> ACPL-267xL, ACPL-268KL, ACPL-560xL, ACPL-563xL, ACPL-665xL, and 5962-08242 units are single, dual, and quad channel, hermetically sealed optocouplers. The products are capable of operation and storage over the full military temperature range and can be purchased as either standard commercial product or with full MIL-PRF-38534 Class Level H or K testing or from DLA Standard Microcircuit Drawing (SMD) 5962-08242. All devices are manufactured and tested on a MIL-PRF-38534 certified line and are included in the DLA Qualified Manufacturers List QML-38534 for Hybrid Microcircuits.

**CAUTION!** It is advised that normal static precautions be taken in handling and assembly of this component to prevent damage and/or degradation which may be induced by ESD.

### Features

- Low power consumption
- 3.3V supply voltages
- Dual marked with device part number and DLA Standard Microcircuit Drawing (SMD)
- Manufactured and tested on a MIL-PRF-38534 Certified Line
- QML-38534, Class H and K
- Four hermetically sealed package configurations
- Performance guaranteed over full military temperature range:  $-55^{\circ}\text{C}$  to  $+125^{\circ}\text{C}$
- High speed: 10 Mbd typical
- CMR:  $>10,000\text{ V}/\mu\text{s}$  typical
- 1500 Vdc withstand test voltage
- TTL circuit compatibility
- HCPL-260L/060L/263L/063L function compatibility

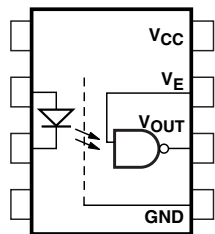
### Applications

- Military and aerospace
- High reliability systems
- Transportation, medical, and life critical systems
- Line receiver
- Voltage level shifting
- Isolated input line receiver
- Isolated output line driver
- Logic ground isolation
- Harsh industrial environments
- Isolation for computer, communication, and test equipment systems

1. See [Selection Guide – Package Styles and Lead Configuration Options](#) for available extensions.

## Functional Diagram

Multiple channel devices available.



**NOTE:** An external 0.01- $\mu$ F to 0.1- $\mu$ F bypass capacitor must be connected as close as possible between pin  $V_{CC}$  and GND.

## Truth Tables

(Positive Logic)

### Multichannel Devices

Input	Output
On (H)	L
Off (L)	H

### Single-Channel DIP

Input	Enable	Output
On (H)	H	L
Off (L)	H	H
On (H)	L	H
Off (L)	L	H

Each channel contains a GaAsP light emitting diode that is optically coupled to an integrated high-speed photon detector. The output of the detector is an open collector Schottky clamped transistor. Internal shields provide a guaranteed common mode transient immunity specification of 1000 V/ $\mu$ s. Package styles for these parts are 8- and 16-pin DIP through hole (case outlines P and E respectively), and 16-pin surface mount DIP flat pack (case outline F). Devices may be purchased with a variety of lead bend and plating options. See [Selection Guide – Package Styles and Lead Configuration Options](#) for details. Standard Microcircuit Drawing (SMD) parts are available for each package and lead style.

Because the same electrical die (emitters and detectors) are used for each channel of each device listed in this data sheet, absolute maximum ratings, recommended operating conditions, electrical specifications, and performance characteristics shown in the figures are identical for all parts. Occasional exceptions exist due to package variations and limitations, and are as noted. Additionally, the same package assembly processes and materials are used in all devices.

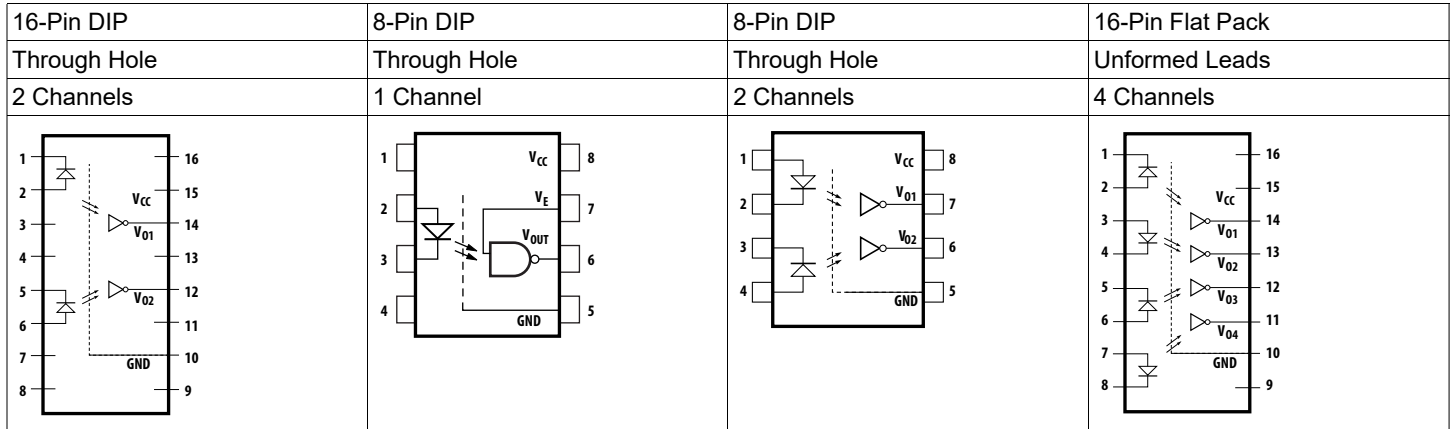
## Selection Guide – Package Styles and Lead Configuration Options

Package	16-Pin DIP	8-Pin DIP	8-Pin DIP	16-Pin Flat Pack
Lead Style	Through Hole	Through Hole	Through Hole	Unformed leads
Channels	2	1	2	4
Common Channel Wiring	VCC, GND	None	VCC, GND	VCC, GND
Withstand Test Voltage	1500 Vdc	1500 Vdc	1500 Vdc	1500 Vdc
<b>Part Number and Options</b>				
Standard Commercial	ACPL-2670L	ACPL-5600L	ACPL-5630L	ACPL-6650L
MIL-PRF-38534, Class H	ACPL-2672L	ACPL-5601L	ACPL-5631L	ACPL-6651L
MIL-PRF-38534, Class K	ACPL-268KL	ACPL-560KL	ACPL-563KL	ACPL-665KL
Standard Lead Finish <sup>a</sup>	Gold Plate	Gold Plate	Gold Plate	Gold Plate
Solder Dipped <sup>b</sup>	Option -200	Option -200	Option -200	
Butt Cut/Gold Plate <sup>a</sup>	Option -100	Option -100	Option -100	
Gull Wing/Soldered <sup>b</sup>	Option -300	Option -300	Option -300	
<b>Class H SMD Part Number</b>				
Prescript for all below	5962-	5962-	5962-	5962-
Gold Plate <sup>a</sup>	0824203HEC	0824201HPC	0824202HPC	0824204HZC
Solder Dipped <sup>b</sup>	0824203HEA	0824201HPA	0824202HPA	
Butt Cut/Gold Plate <sup>a</sup>	0824203HUC	0824201HYC	0824202HYC	
Butt Cut/Soldered <sup>b</sup>	0824203HUA	0824201HYA	0824202HYA	
Gull Wing/Soldered <sup>b</sup>	0824203HTA	0824201HXA	0824202HXA	
<b>Class K SMD Part Number</b>				
Prescript for all below	5962-	5962-	5962-	5962-
Gold Plate <sup>a</sup>	0824203KEC	0824201KPC	0824202KPC	0824204KZC
Solder Dipped <sup>b</sup>	0824203KEA	0824201KPA	0824202KPA	
Butt Cut/Gold Plate <sup>a</sup>	0824203KUC	0824201KYC	0824202KYC	
Butt Cut/Soldered <sup>b</sup>	0824203KUA	0824201KYA	0824202KYA	
Gull Wing/Soldered <sup>b</sup>	0824203KTA	0824201KXA	0824202KXA	

a. Gold Plate lead finish: Maximum gold thickness of leads is <100 micro inches. Typical is 60 to 90 micro inches.

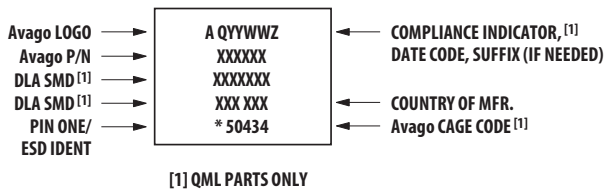
b. Solder lead finish: Sn63/Pb37.

## Functional Diagrams



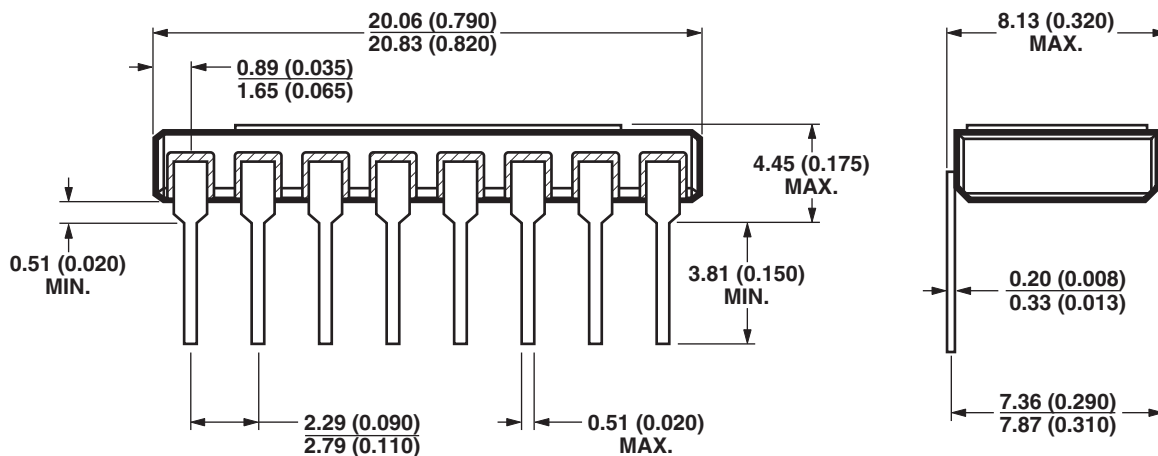
**NOTE:** All DIP and flat pack devices have common  $V_{CC}$  and ground. Single-channel DIP has an enable pin 7.

## Device Marking



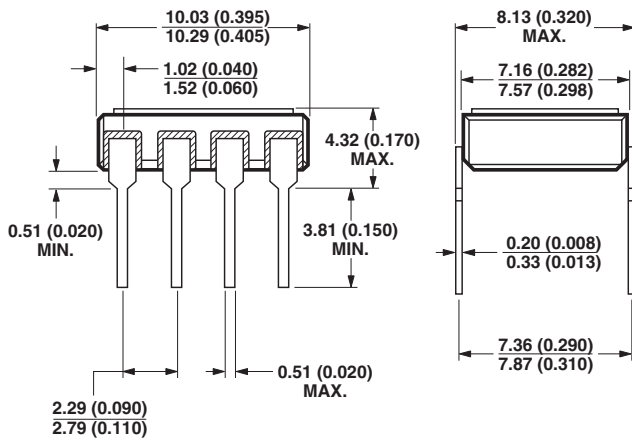
## Outline Drawings

### 16-Pin DIP Through Hole, 2 Channels



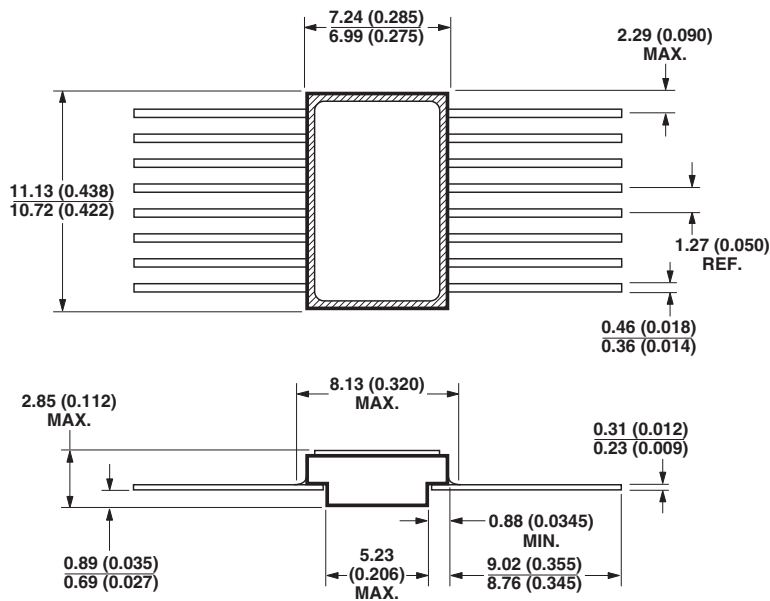
**NOTE:** DIMENSIONS IN MILLIMETERS (INCHES).

## 8-Pin DIP Through Hole, 1 and 2 Channels



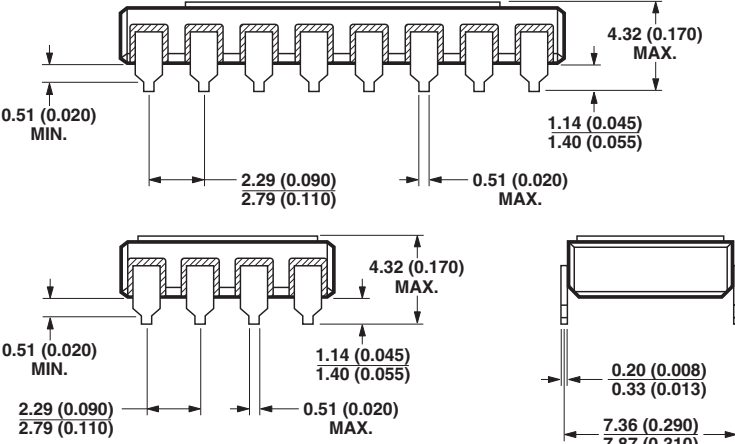
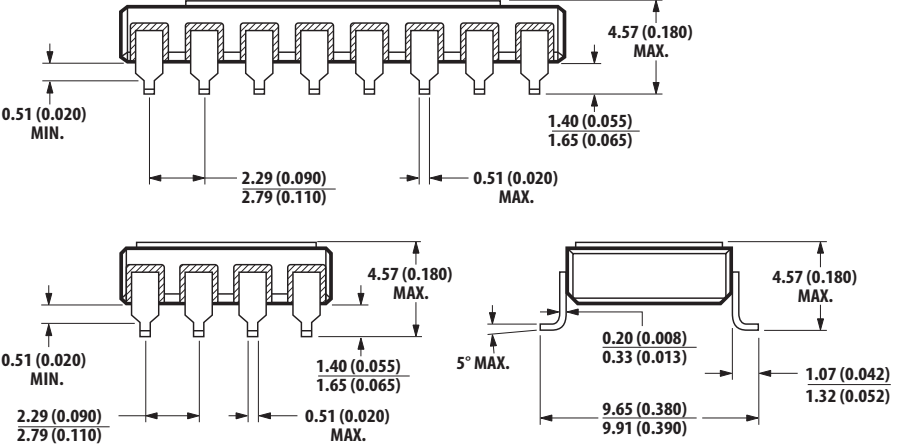
NOTE: DIMENSIONS IN MILLIMETERS (INCHES).

## 16-Pin Flat Pack, 4 Channels



NOTE: DIMENSIONS IN MILLIMETERS (INCHES).

# Hermetic Optocoupler Options

Option	Description
100	<p>Surface mountable hermetic optocoupler with leads trimmed for butt joint assembly. This option is available on standard commercial, class H and class K product in 8- and 16-pin DIP.</p>  <p>NOTE: DIMENSIONS IN MILLIMETERS (INCHES).</p>
200	<p>Lead finish is solder dipped rather than gold plated. This option is available on standard commercial, class H and class K products in 8- and 16-pin DIP. DLA Drawing part numbers contain provisions for lead finish.</p>
300	<p>Surface mountable hermetic optocoupler with leads cut and bent for gull wing assembly. This option is available on standard commercial, class H and class K product in 8- and 16-pin DIP. This option has solder dipped leads.</p>  <p>NOTE: DIMENSIONS IN MILLIMETERS (INCHES).</p>

## Absolute Maximum Ratings

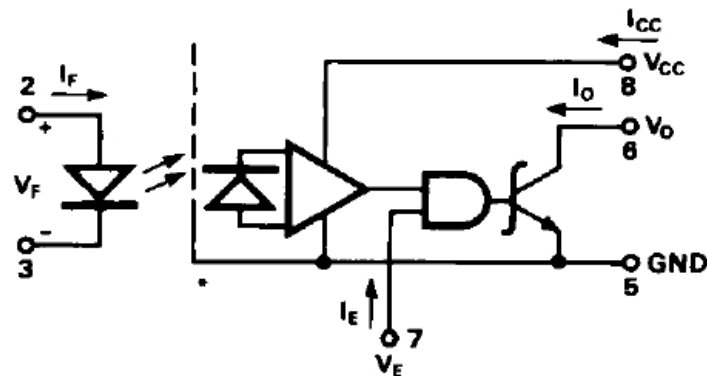
No derating required up to +125°C.

Parameter	Symbol	Min.	Max.	Unit
Storage Temperature	$T_S$	-65	+150	°C
Operating Temperature	$T_A$	-55	+125	°C
Case Temperature	$T_C$	—	+170	°C
Junction Temperature	$T_J$	—	+175	°C
Lead Solder Temperature		—	260 for 10 sec	°C
Peak Forward Input Current (each channel, ≤1 ms duration)	$I_{F(PEAK)}$	—	40	mA
Average Input Forward Current (each channel)	$I_{F(AVG)}$	—	20	mA
Input Power Dissipation (each channel)		—	35	mW
Reverse Input Voltage (each channel)	$V_R$	—	5	V
Supply Voltage (1 minute maximum)	$V_{CC}$	—	7.0	V
Output Current (each channel)	$I_O$	—	25	mA
Output Voltage (each channel)	$V_O$	—	7	V
Output Power Dissipation (each channel)	$P_O$	—	40	mW
Package Power Dissipation (each channel)	$P_D$	—	200	mW

## Single-Channel Product Only

Parameter	Symbol	Min.	Max.	Unit
Enable Input Voltage	$V_E$	—	3.6	V

## 8-Pin Ceramic DIP Single-Channel Schematic



**NOTE:** Note enable pin 7.

## ESD Classification

MIL-PRF-38534 and MIL-STD-883, Method 3015

ACPL-5600L/01L/0KL, 5962-0824201	▲B, Class 1B
ACPL-5630L/31L/3KL, ACPL-6650L/51L/5KL, 5962-0824202, 5962-0824204	▲▲▲A, Class 3A
ACPL-2670L/72L/268KL, 5962-0824203	▲▲, Class 2

## Recommended Operating Conditions

Parameter	Symbol	Min.	Max.	Unit
Input Current, Low Level, Each Channel	$I_{FL}$	0	250	$\mu\text{A}$
Input Current, High Level, Each Channel	$I_{FH}$	10	20	mA
Supply Voltage, Output	$V_{CC}$	3.0	3.6	V
Fan Out (TTL Load) Each Channel	N	—	6	

## Single-Channel Product Only

Parameter	Symbol	Min.	Max.	Unit
High-Level Enable Voltage	$V_{EH}$	2.0	$V_{CC}$	V
Low-Level Enable Voltage	$V_{EL}$	0	0.8	V

## Electrical Characteristics

$T_A = -55^\circ\text{C}$  to  $+125^\circ\text{C}$ , unless otherwise specified.

Parameter	Symbol	Test Conditions	Group A <sup>a</sup> Subgroups	Limits			Unit	Fig.	Note
				Min.	Typ. <sup>b</sup>	Max.			
High-Level Output Current	$I_{OH}$	$V_{CC} = 3.3\text{V}$ , $V_O = 3.3\text{V}$ , $I_F = 250\ \mu\text{A}$	1, 2, 3	—	6	250	$\mu\text{A}$	1	c
Low-Level Output Voltage	$V_{OL}$	$V_{CC} = 3.3\text{V}$ , $I_F = 10\ \text{mA}$ , $I_{OL}$ (Sinking) = 10 mA	1, 2, 3	—	0.3	0.6	V	2	c, d
Current Transfer Ratio	$h_F$ CTR	$V_O = 0.6\text{V}$ , $I_F = 10\ \text{mA}$ , $V_{CC} = 3.3\text{V}$	1, 2, 3	100	—	—	%		c
Logic High Supply Current	Single Channel	$I_{CCH}$	1, 2, 3	—	5	11	mA		c
	Dual Channel			—	10	22	mA		
	Quad Channel			—	17	44	mA		
		$V_{CC} = 3.3\text{V}$ , $I_{F1} = I_{F2} = I_{F3} = I_{F4} = 0\ \text{mA}$							



Parameter	Symbol	Test Conditions	Group A <sup>a</sup> Subgroups	Limits			Unit	Fig.	Note
				Min.	Typ. <sup>b</sup>	Max.			
Logic Low Supply Current	Single Channel	$V_{CC} = 3.3V, I_F = 20 \text{ mA}$	1, 2, 3	—	6	15	mA		c
	Dual Channel			—	12	30	mA		
	Quad Channel			—	22	60	mA		
Input Forward Voltage	$V_F$	$I_F = 20 \text{ mA}$	1, 2	—	1.55	1.75	V	3	c
			3	—	—	1.85			
Input Reverse Breakdown Voltage	$BV_R$	$I_R = 10 \mu\text{A}$	1, 2, 3	5	—	—	V		c
Input-Output Leakage Current	$I_{I-O}$	$R_H \leq 65\%, T_A = 25^\circ\text{C}, t = 5\text{s}, V_{I-O} = 1500 \text{ Vdc}$	1	—	—	1.0	$\mu\text{A}$		e, f
Capacitance Between Input/Output	$C_{I-O}$	$f = 1 \text{ MHz}, T_C = 25^\circ\text{C}$	4	—	1.0	4.0	pF		c, g, j
Propagation Delay Time to High Output Level	$t_{PLH}$	$V_{CC} = 3.3V, R_L = 510\Omega, C_L = 50 \text{ pF}, I_F = 13 \text{ mA}$	9	—	43	100	ns	4, 5, 6	c, h
			10, 11	—	—	140			
Propagation Delay Time to Low Output Level	$t_{PHL}$	—	9	—	54	100	ns		
			10, 11	—	—	120			
Output Rise Time	$t_{LH}$	$R_L = 510\Omega, C_L = 50 \text{ pF}, I_F = 13 \text{ mA}$	9, 10, 11	—	20	90	ns		c
Output Fall Time	$t_{HL}$			—	8	40			
Common Mode Transient Immunity at High Output Level	$ CM_H $	$V_{CM} = 50V \text{ (PEAK)}, V_{CC} = 3.3V, V_O \text{ (min.)} = 2V, R_L = 510\Omega, I_F = 0 \text{ mA}$	9, 10, 11	1000	>10000	—	V/ $\mu\text{s}$	7	c, i, j
Common Mode Transient Immunity at Low Output Level	$ CM_L $	$V_{CM} = 50V \text{ (PEAK)}, V_{CC} = 3.3V, V_O \text{ (max.)} = 0.8V, R_L = 510\Omega, I_F = 10 \text{ mA}$	9, 10, 11	1000	>10000	—	V/ $\mu\text{s}$	7	c, i, j

- Standard commercial parts receive 100% testing at 25°C (Subgroups 1 and 9). Class H and K parts receive 100% testing at 25°C, 125°C, and -55°C (Subgroups 1 and 9, 2 and 10, 3 and 11, respectively).
- All typical values are at  $V_{CC} = 3.3V, T_A = 25^\circ\text{C}$ .
- Each channel.
- It is essential that a bypass capacitor (0.01  $\mu\text{F}$  to 0.1  $\mu\text{F}$ , ceramic) be connected as close as possible from pin  $V_{CC}$  to ground.
- All devices are considered two-terminal devices;  $I_{I-O}$  is measured between all input leads or terminals shorted together and all output leads or terminals shorted together.
- This is a momentary withstand test, not an operating condition.
- Measured between each input pair shorted together and all output connections for that channel shorted together.
- $t_{PHL}$  propagation delay is measured from the 50% point on the leading edge of the input pulse to the 1.5V point on the leading edge of the output pulse. The  $t_{PLH}$  propagation delay is measured from the 50% point on the trailing edge of the input pulse to the 1.5V point on the trailing edge of the output pulse.
- $CM_L$  is the maximum rate of rise of the common mode voltage that can be sustained with the output voltage in the logic low state ( $V_O < 0.8V$ ).  $CM_H$  is the maximum rate of fall of the common mode voltage that can be sustained with the output voltage in the logic high state ( $V_O > 2.0V$ ).
- Parameters are tested as part of device initial characterization and after design and process changes. Parameters are guaranteed to limits specified for all lots not specifically tested.

## Single-Channel Product Only

Parameter	Symbol	Test Conditions	Group A <sup>a</sup> Subgroups	Limits			Unit	Fig.	Note
				Min.	Typ. <sup>b</sup>	Max.			
Low-Level Enable Current	$I_{EL}$	$V_{CC} = 3.3V, V_E = 0.5V$	1, 2, 3	-2.0	-0.54	—	mA		
High-Level Enable Voltage	$V_{EH}$		1, 2, 3	2.0	—	—	V		c
Low-Level Enable Voltage	$V_{EL}$		1, 2, 3	—	—	0.8	V		

- a. Standard commercial parts receive 100% testing at 25°C (Subgroups 1 and 9). Class H and K parts receive 100% testing at 25°C, 125°C, and -55°C (Subgroups 1 and 9, 2 and 10, 3 and 11, respectively).
- b. All typical values are at  $V_{CC} = 3.3V, T_A = 25°C$ .
- c. No external pull-up is required for a high logic state on the enable input.

## Typical Characteristics

$T_A = 25°C, V_{CC} = 3.3V$ .

Parameter	Sym.	Typ.	Unit	Test Conditions	Fig.	Note
Input Capacitance	$C_{IN}$	60	pF	$V_F = 0V, f = 1\text{ MHz}$		a
Input Diode Temperature Coefficient	$\Delta V_F$ $\Delta T_A$	-1.5	mV/°C	$I_F = 20\text{ mA}$		a
Resistance (Input-Output)	$R_{I-O}$	$10^{12}$	$\Omega$	$V_{I-O} = 500V$		b

- a. Each channel.
- b. All devices are considered two-terminal devices;  $I_{I-O}$  is measured between all input leads or terminals shorted together and all output leads or terminals shorted together.

## Single-Channel Product Only

Parameter	Sym.	Typ.	Unit	Test Conditions	Fig.	Note
Propagation Delay Time of Enable from $V_{EH}$ to $V_{EL}$	$t_{ELH}$	32	ns	$R_L = 510\Omega, C_L = 50\text{ pF},$ $I_F = 13\text{ mA}, V_{EH} = 3V,$ $V_{EL} = 0V$	8, 9	a, b
Propagation Delay Time of Enable from $V_{EL}$ to $V_{EH}$	$t_{EHL}$	28	ns			a, c

- a. Each channel.
- b. The  $t_{ELH}$  enable propagation delay is measured from the 1.5V point on the trailing edge of the enable input pulse to the 1.5V point on the trailing edge of the output pulse.
- c. The  $t_{EHL}$  enable propagation delay is measured from the 1.5V point on the leading edge of the enable input pulse to the 1.5V point on the leading edge of the output pulse.

## Dual and Quad Channel Product Only

Parameter	Sym.	Typ.	Unit	Test Conditions	Fig.	Note
Input-Input Leakage Current	$I_{I-I}$	0.5	nA	Relative Humidity $\leq 65\%$ , $V_{I-I} = 500V, t = 5s$		a
Resistance (Input-Input)	$R_{I-I}$	$10^{12}$	$\Omega$	$V_{I-I} = 500V$		a
Capacitance (Input-Input)	$C_{I-I}$	0.55	pF	$f = 1\text{ MHz}$		a

- a. Measured between adjacent input pairs shorted together for each multichannel device.

Figure 1: High-Level Output Current vs. Temperature

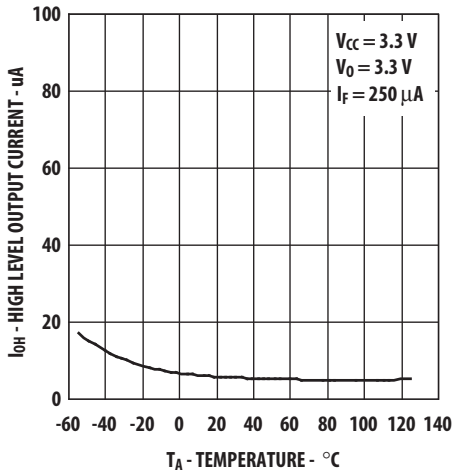


Figure 2: Input-Output Characteristics

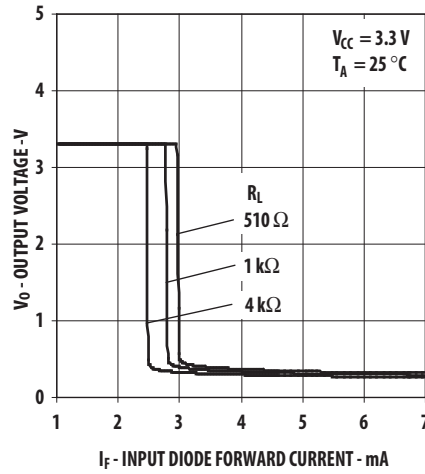


Figure 3: Input Diode Forward Characteristics

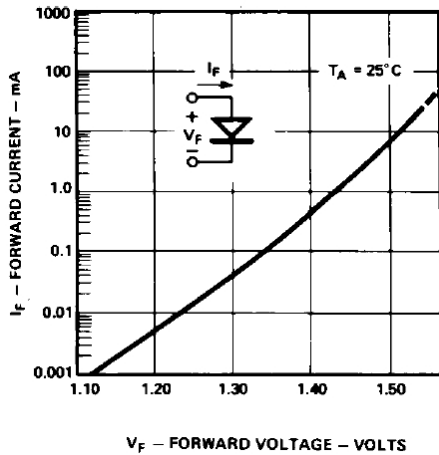


Figure 4: Test Circuit for  $t_{PHL}$  and  $t_{PLH}$

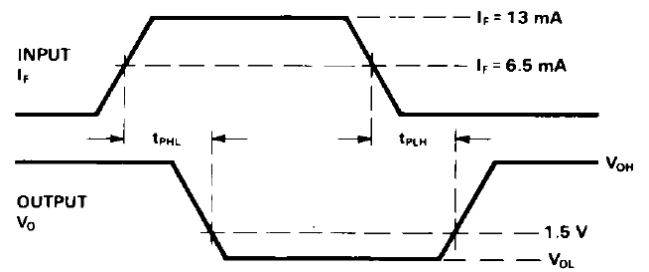
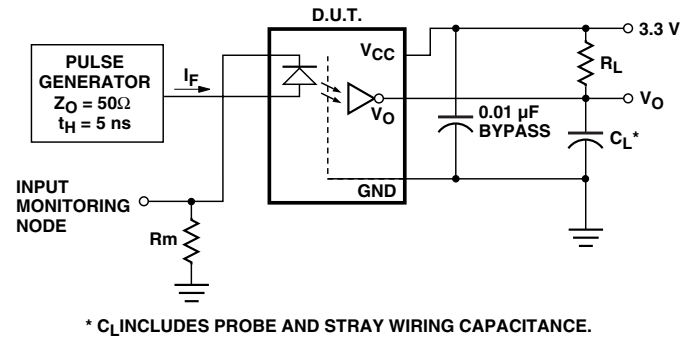


Figure 5: Propagation Delay,  $t_{PHL}$  and  $t_{PLH}$  vs. Pulse Input Current,  $I_{FH}$

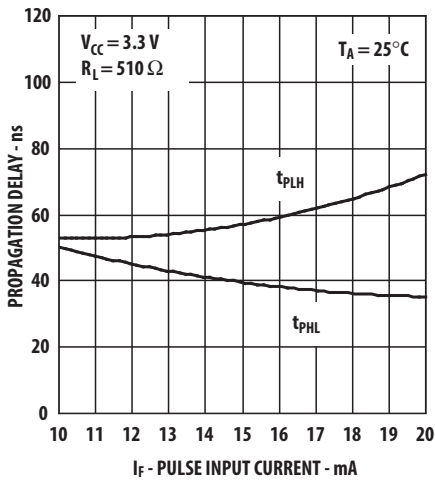


Figure 6: Propagation Delay vs. Temperature

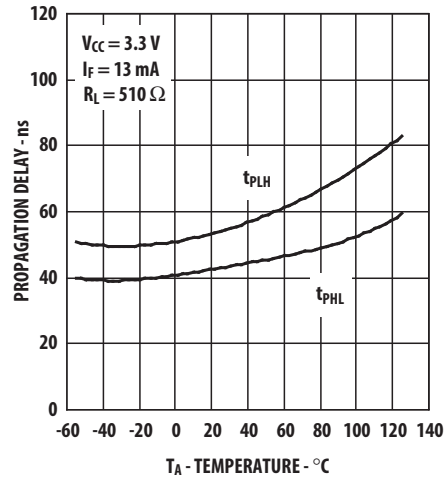


Figure 7: Test Circuit for Common Mode Transient Immunity and Typical Waveforms

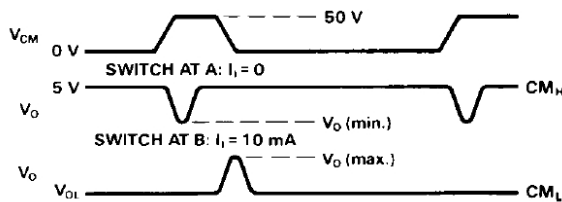
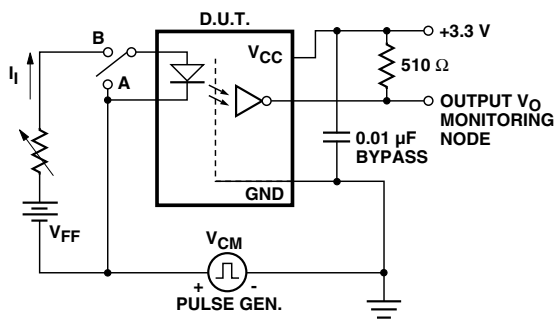


Figure 8: Test Circuit for  $t_{EHL}$  and  $t_{ELH}$

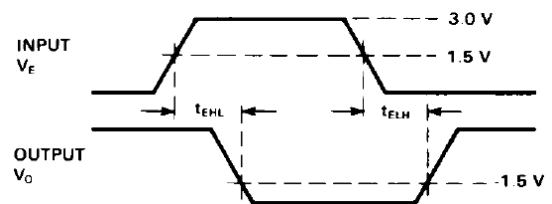
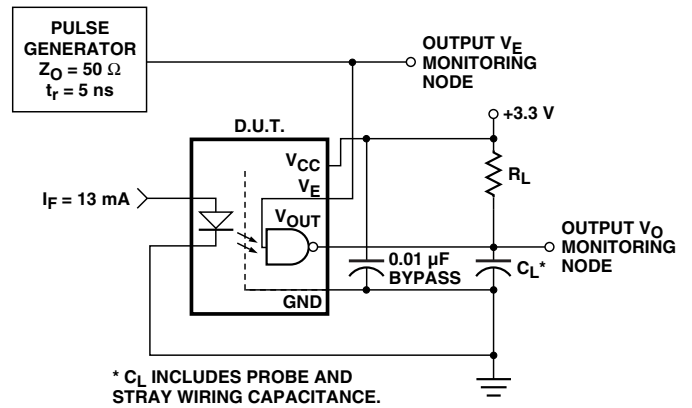


Figure 9: Enable Propagation Delay vs. Temperature

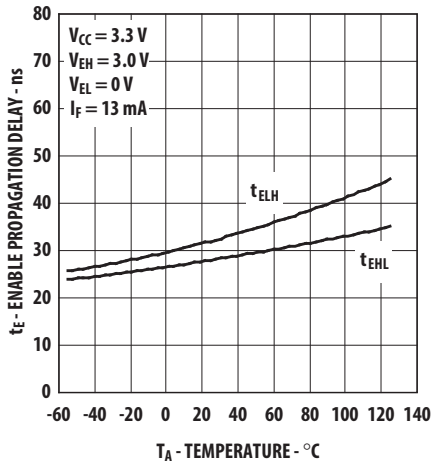
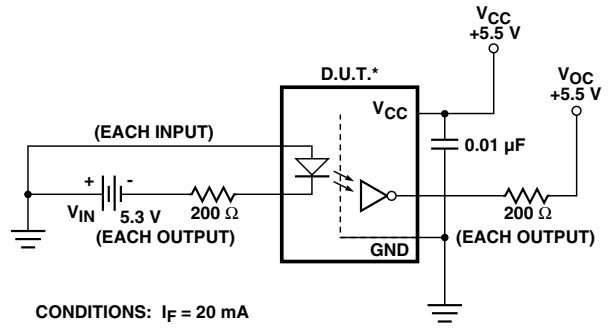


Figure 10: Operating Circuit for Burn-In and Steady State Life Tests



CONDITIONS:  $I_F = 20 \text{ mA}$   
 $I_O = 25 \text{ mA}$

$T_A = +125 \text{ }^\circ\text{C}$

\* ALL CHANNELS TESTED SIMULTANEOUSLY.