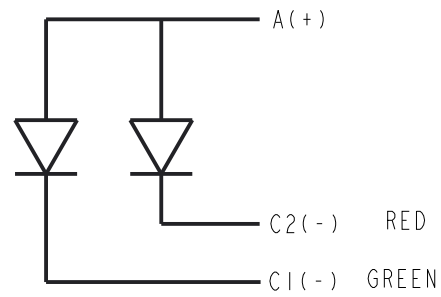


OPERATING CHARACTERISTICS AT 25°C AMBIENT

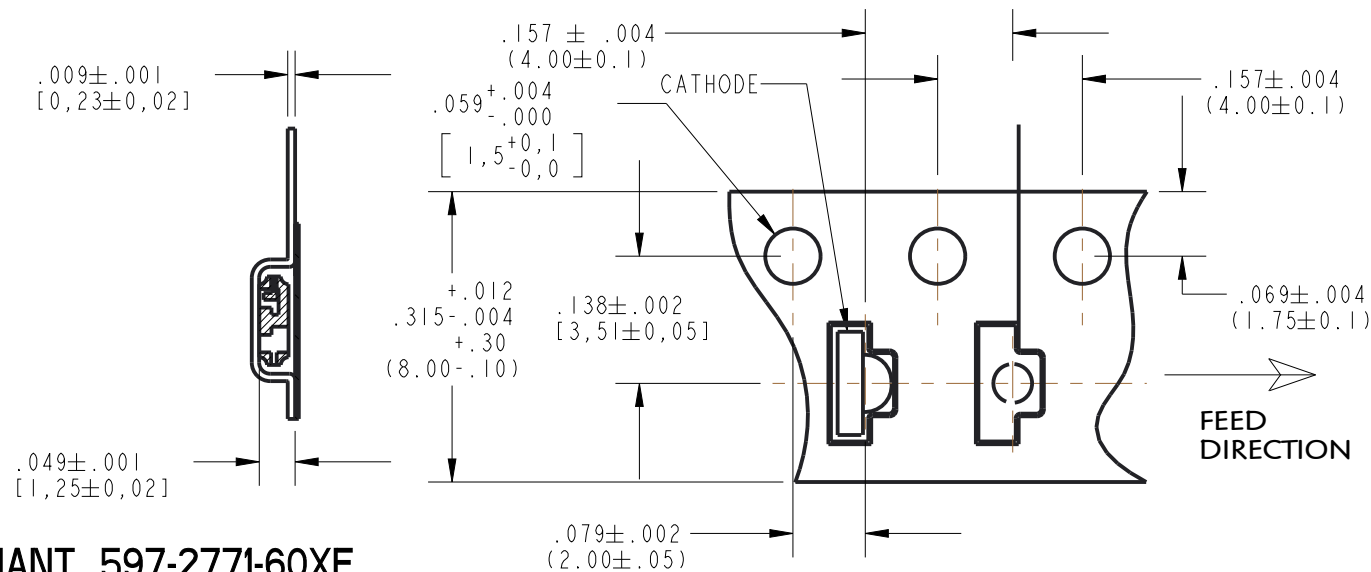
DIALIGHT PART NUMBER	COLOR	LUMINOUS INTENSITY (mcd) @ I <sub>F</sub> = 20 mA			FORWARD VOLTAGE (V) @ I <sub>F</sub> = 20 mA			REVERSE CURRENT (μA) @ V <sub>R</sub> = 5 V	PEAK WAVELENGTH	DOMINANT WAVELENGTH		VIEWING ANGLE (DEG)
		MIN	TYP	MAX	MIN	TYP	MAX	MAX	(TYP)	MIN	MAX	TYP
597-2771-607F, -602F	RED	45	—	112	1.5	—	2.5	10	639	615	640	130
	GREEN	28	—	71	1.5	—	2.5		573	565	575	

REV	ECN NO	REVISIONS	DRN	CKD	APP	DATE
A	—	NEW RELEASE	VP	JTD	NO	4-12-16
B	—	COLOR WAS YELLOW RED CHANGE LED SCHEMATIC	LD	--	NO	9-11-18
C	103891	OPERATING TEMP WAS -30 TO +85 RED MIN INTENSITY WAS 40 FORWARD VOLTAGE WAS 1.6 - 2.4 PEAK & DOM WAVELENGTH REVISED	LD		CS	3-30-23

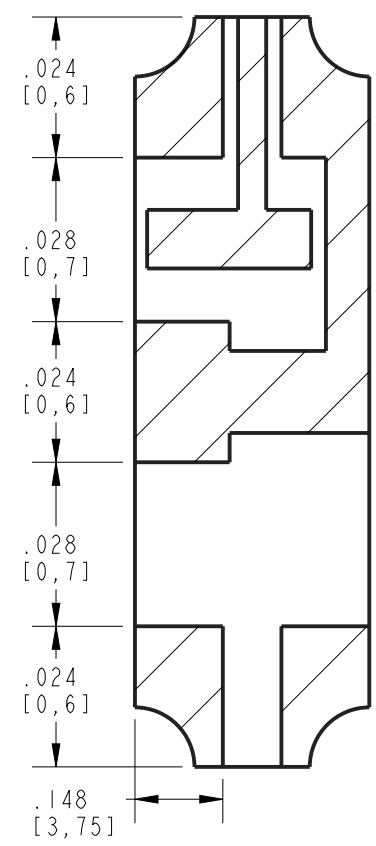
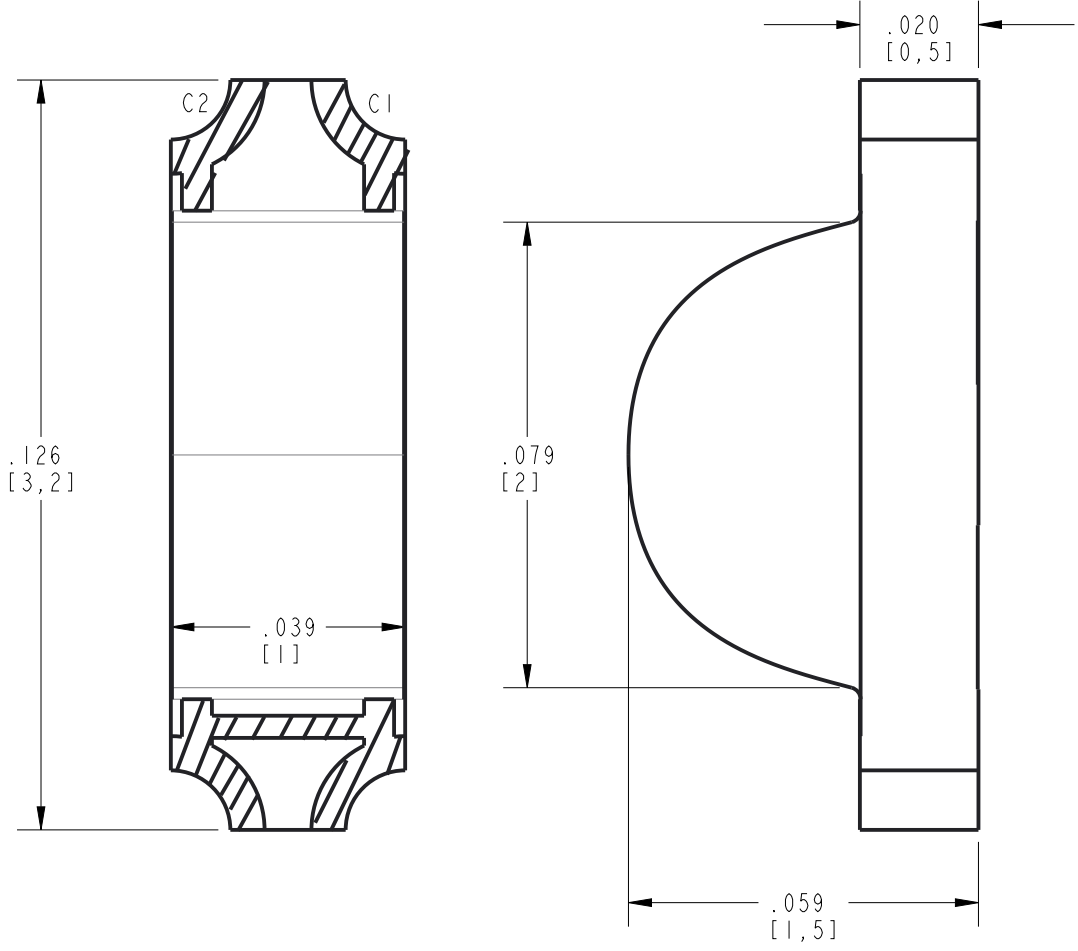
ABSOLUTE MAXIMUM RATING AT 25 C AMBIENT	BI-COLOR RED/GREEN	UNITS
POWER DISSIPATION	62.5	mW
PEAK FORWARD CURRENT	60	mA
FORWARD CURRENT	25	mA
REVERSE VOLTAGE	5	V
LEAD SOLDERING TEMP FOR 10 SEC	260	C
OPERATING TEMP	-40 TO +85	C
STORAGE TEMP	-40 TO +85	C



LED SCHEMATIC

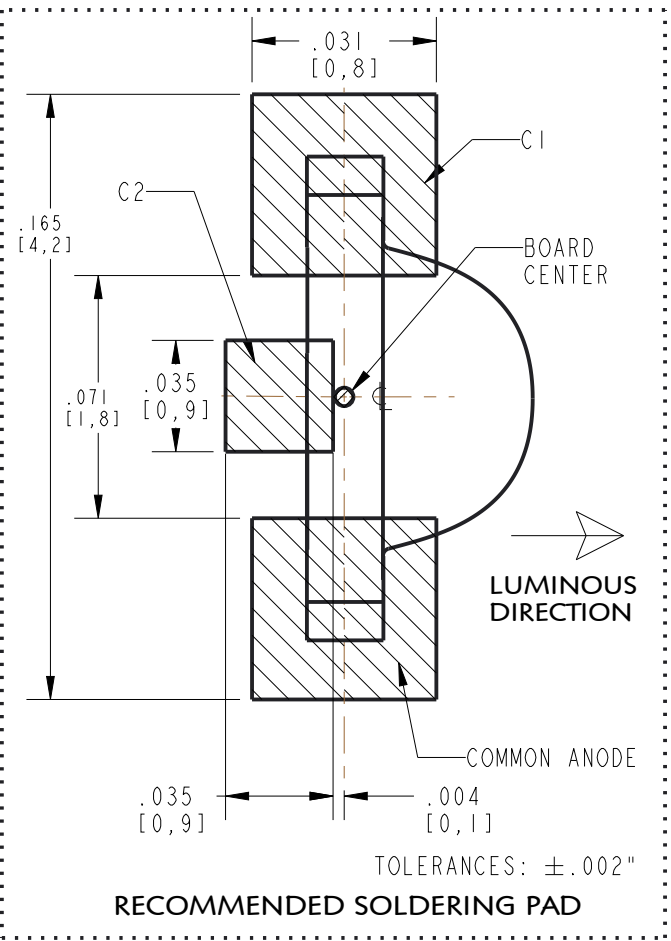


PACKAGE DIMENSIONS OF TAPE AND REEL (NO SCALE)

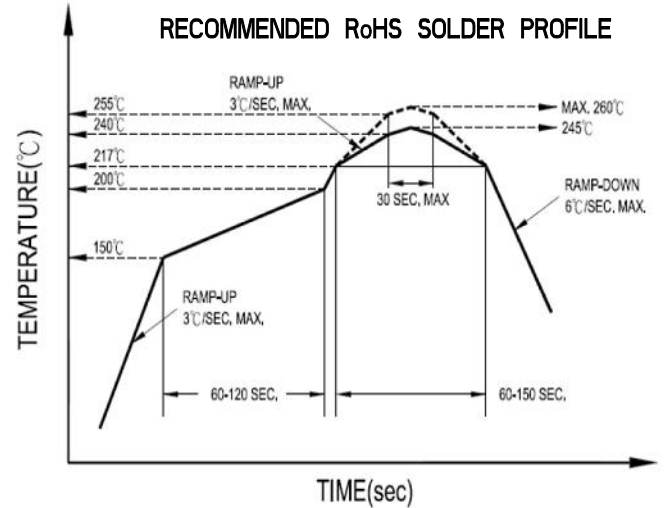


RoHS COMPLIANT 597-2771-60XF

Part Numbers with the "F" suffix ending are RoHS Compliant. For example: 597-2771-60XF. Packaging is marked with "RoHS Compliant" label or equivalent markings. These parts can be used with RoHS reflow profile. Parts can be wave soldered, dip soldered or hand soldered using typical lead-free soldering process with max 260°C temp. for 5 sec.



RECOMMENDED SOLDERING PAD



- NOTES:
- LENS: RED/GREEN
  - LED CHIP: ALLnGaP
  - LEADS ARE GOLD (Au) PLATED FINISH.
  - PACKAGING: -607F SUFFIX MEANS 20 PCS SAMPLE STRIP  
-602F SUFFIX MEANS 3000 PARTS/REEL, 7 INCH (180mm) DIA. REEL.
  - THIS ASSEMBLY CONTAINS ELECTROSTATIC DISCHARGE SENSITIVE DEVICES (ESDS). MAINTAIN ALL PRECAUTIONARY MEASURES DURING ASSEMBLY, HANDLING, AND STORAGE IN ACCORDANCE WITH IPC-A-610.
  - MOISTURE SENSITIVITY LEVEL 3.
  - TAPE AND REEL LEDS MAY REQUIRE RE-TAPING AFTER TWELVE MONTHS.
  - PIN NUMBERS FOR REFERENCE ONLY, DESIGNATION NON-EXISTENT ON PART.



ATTENTION: OBSERVE PRECAUTIONS FOR HANDLING ELECTROSTATIC SENSITIVE DEVICES

THIS DRAWING AND THE CONTENTS HEREIN ARE CONFIDENTIAL AND THE SOLE PROPERTY OF DIALIGHT CORP. REPRODUCTION OF THIS DRAWING OR CONSTRUCTION OF ANY PARTS WITHIN THIS DRAWING ARE FORBIDDEN WITHOUT THE WRITTEN CONSENT OF DIALIGHT CORP.		
SCALE: 31.000	DRAWING NUMBER	REV
ALL DIM'S: INCH (mm)	C-18251	C
TOLERANCES: UNLESS OTHERWISE SPECIFIED	TITLE: RED/GREEN BI-COLOR 0603 SM LED RoHS COMPLIANT RT ANGLE (3.2 X 1.5 X 1.0)	
FRACTIONS: ±1/64	MATERIAL	
DECIMALS (.XX): ±.01	-	
DECIMALS (.XXX): ±.005	-	
DECIMALS (.XXXX): ±.0005	-	
ANGLES: ±1°	-	
FINISH	-	
FSCM 83330	1501 ROUTE 34 SOUTH FARMINGDALE, NJ 07727 (732) 919-3119 www.dialight.com	
SHEET 1 OF 1	FAMILY TABLE:	