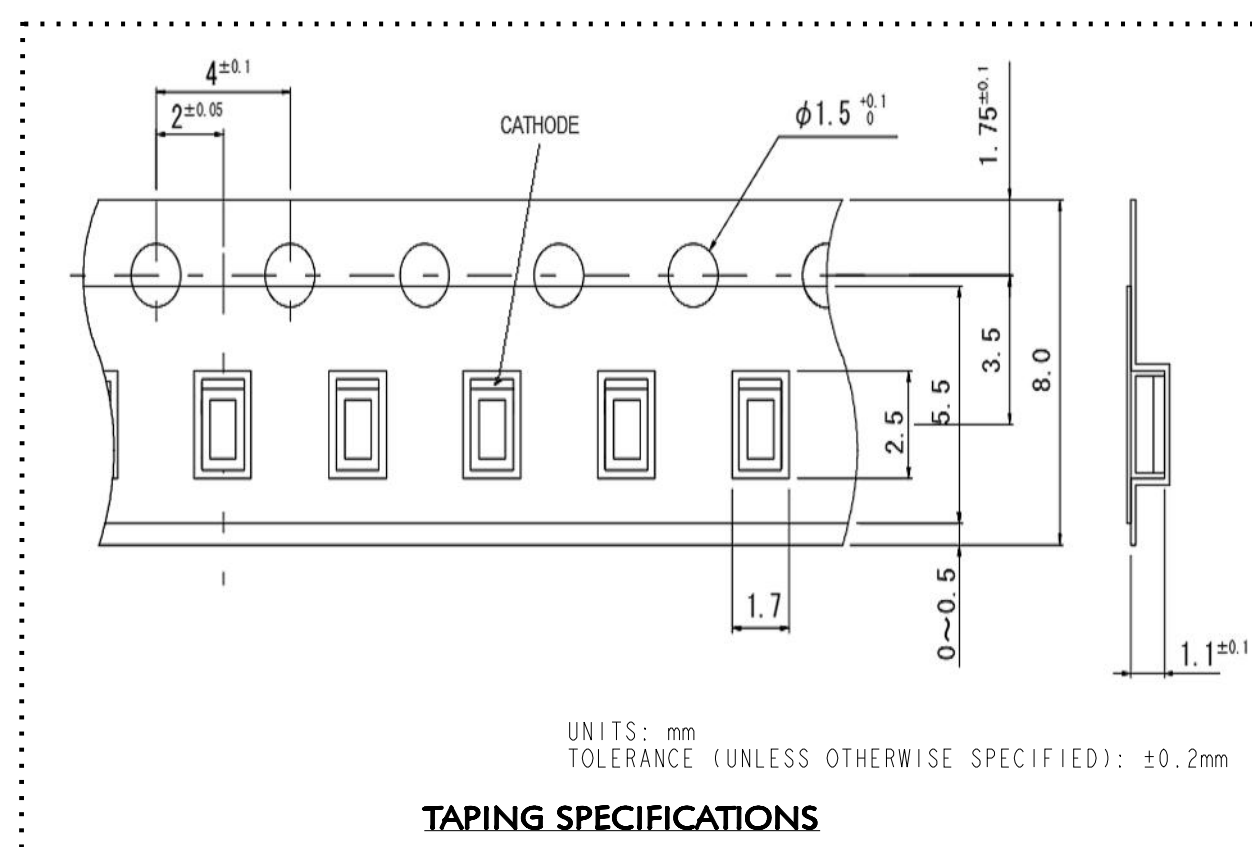
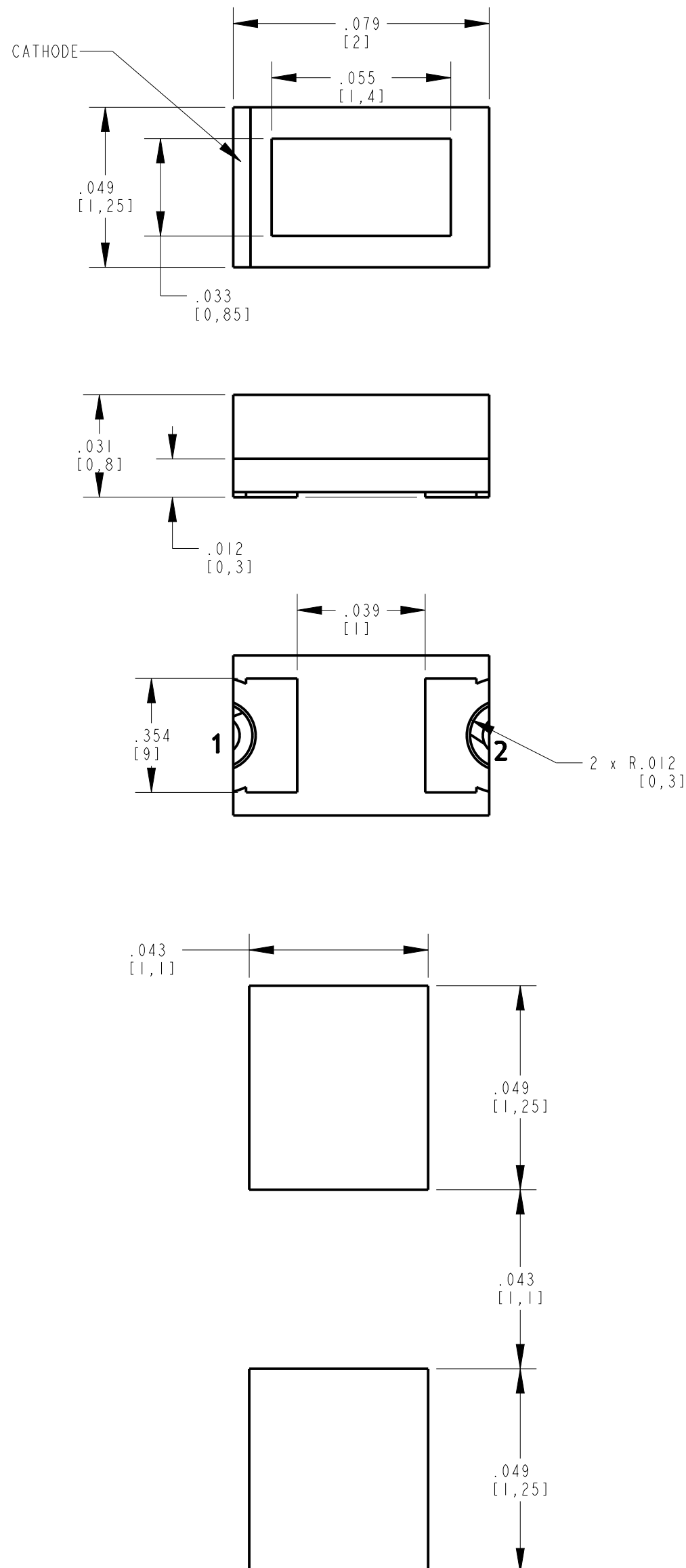


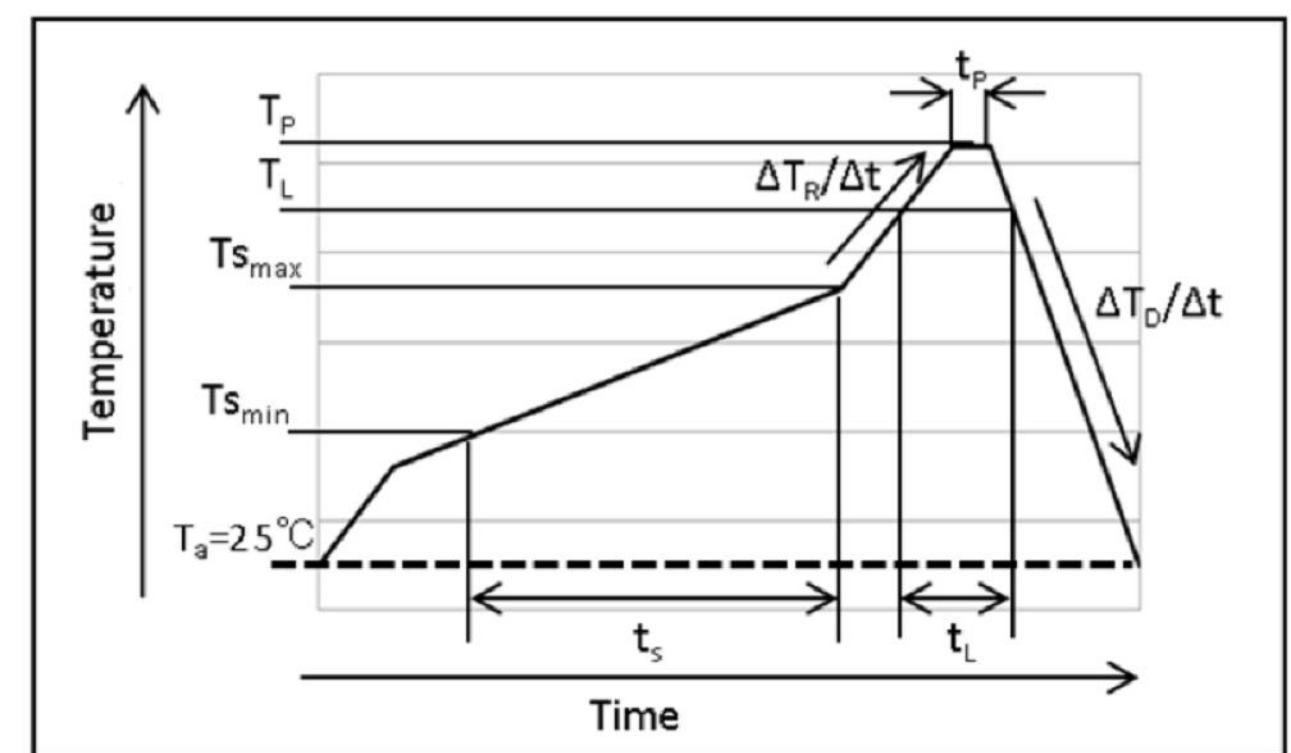
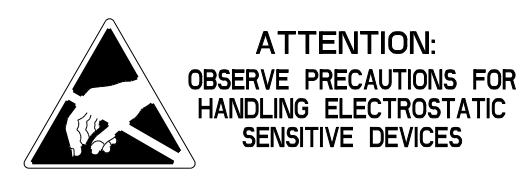
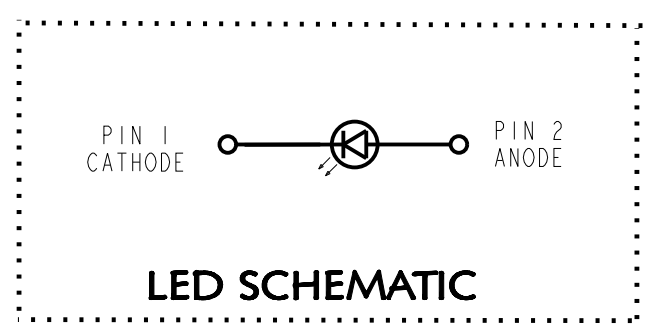
PART NUMBER	LED COLOR
597-5006-502F, 507F	RED (630nm)
597-5036-502F, 507F	RED (620nm)
597-5206-502F, 507F	ORANGE
597-5406-502F, 507F	YELLOW
597-5506-502F, 507F	YELLOW GREEN
597-5316-502F, 507F	GREEN (560nm)
597-5606-502F, 507F	BLUE
597-5326-502F, 507F	GREEN (527nm)
597-5906-502F, 507F	WHITE

REV	ECN NO	REVISIONS	DRN	CKD	APP	DATE
A	—	NEW RELEASE	BP	—	NO	03-22-18



ABSOLUTE MAXIMUM RATINGS AT 25°C						
LED COLOR	POWER DISSIPATION (mW)	FORWARD CURRENT (mA)	PEAK FORWARD CURRENT (mA)	REVERSE VOLTAGE (V)	OPERATING TEMPERATURE (°C)	STORAGE TEMPERATURE (°C)
RED (630nm)	75	30	100	5	-40 TO +85	-40 TO +100
RED (620nm)						
ORANGE						
YELLOW						
YLW GREEN	81	20	12	-40 TO +100	-40 TO +100	
GREEN (560nm)						
GREEN (527nm)	70					
BLUE	68					
WHITE						

OPERATING CHARACTERISTICS AT 25°C								
LED COLOR	IF (mA)	LUMINOUS INTENSITY (mcd)		DOMINANT WAVELENGTH (nm)			REVERSE CURRENT (MAX)	FORWARD VOLTAGE (TYP.)
		MIN	TYP	MIN	TYP	MAX		
RED (630nm)	20	40	75	625	630	635	10 @ VR=5V	2 @ IF=20mA
RED (620nm)		63	120	615	620	625		
ORANGE		100	160	602	605	608		
YELLOW		587	590	593				
YLW GREEN	25	45	569	572	575		2.2 @ IF=20mA	
GREEN (560nm)	6.3	16	557	560	563			
GREEN (527nm)	56	140	519	527	536		10 @ VR=12V	3 @ IF=5mA
BLUE	14	36	464	470	476			
WHITE	56	140	(X,Y) (0.30,0.28)					



MARK	MEANING	CONDITIONS
$T_{s_{max}}$	MAXIMUM OF PRE-HEATING TEMP.	180 °C
$T_{s_{min}}$	MINIMUM OF PRE-HEATING TEMP.	140 °C
t_s	TIME FROM $T_{s_{min}}$ TO $T_{s_{max}}$	OVER 60 sec.
T_L	REFERENCE TEMP	230-250 °C
t_L	RETENTION TIME FOR T_L	WITHIN 40 sec.
T_P	PEAK TEMP	250 °C (MAX)
t_P	TIME FOR PEAK TEMP	WITHIN 10 sec.
$\Delta T_R/\Delta t$	TEMP. RISING RATE	UNDER 3°C/sec.
$\Delta T_D/\Delta t$	TEMP. DECREASING RATE	OVER -3°C/sec.

RECOMMENDED RoHS SOLDER PROFILE

- NOTES:**
- DIALIGHT P/N: 597-5XX6-502F, 597-5XX6-507F SUFFIX -502F FOR 20 PCS ON A SAMPLE TAPE STRIP SUFFIX -507F FOR 7" DIAMETER REEL, PACKAGED 3000 PCS PER REEL.
 - LABELING FOR REEL AND OUTSIDE OF ALUMINUM BAG: DIALIGHT P/N, QUANTITY PER REEL, DATE CODE, INTENSITY BIN CODE, LOT NUMBER AND COUNTRY OF ORIGIN
 - TAPE AND REEL LEDS MAY REQUIRE RE-TAPING AFTER TWELVE MONTHS.
 - PIN NUMBERS ARE FOR REFERENCE ONLY, DESIGNATION NON-EXISTENT ON PART.
 - THIS PRODUCT IS RoHS COMPLIANT. EACH BAG IS TO BE MARKED WITH RoHS COMPLIANT LABEL OR EQUIVALENT MARKINGS. LED MUST BE Pb FREE.
 - ESD WITHSTAND VOLTAGE 4000V MAX PER JS-001-2014.
 - MSL LEVEL 4

THIS DRAWING AND THE CONTENTS HEREIN ARE CONFIDENTIAL AND THE SOLE PROPERTY OF DIALIGHT CORP. REPRODUCTION OF THIS DRAWING OR CONSTRUCTION OF ANY PARTS WITHIN THIS DRAWING ARE FORBIDDEN WITHOUT THE WRITTEN CONSENT OF DIALIGHT CORP.

DIALIGHT CORP. INTERNAL REFERENCE ONLY = 3D MODEL : 5975006502F-A.1

SCALE: 25.000 DRAWING NUMBER: C-18370 REV: A

TOLERANCES: UNLESS OTHERWISE SPECIFIED

ALL DIM'S IN: INCHES (MM)

FRACTIONS: ±1/64
DECIMALS (.XX): ±.01
DECIMALS (.XXX): ±.005
DECIMALS (.XXXX): ±.0005
ANGLES: ±1°

FINISH: SHEET 1 OF 1 FAMILY TABLE:

FSCM 83330

Dialight 1501 ROUTE 34 SOUTH FARMINGDALE, NJ 07727 (732) 919-3119 www.dialight.com

RECOMMENDED SOLDER PAD LAYOUT