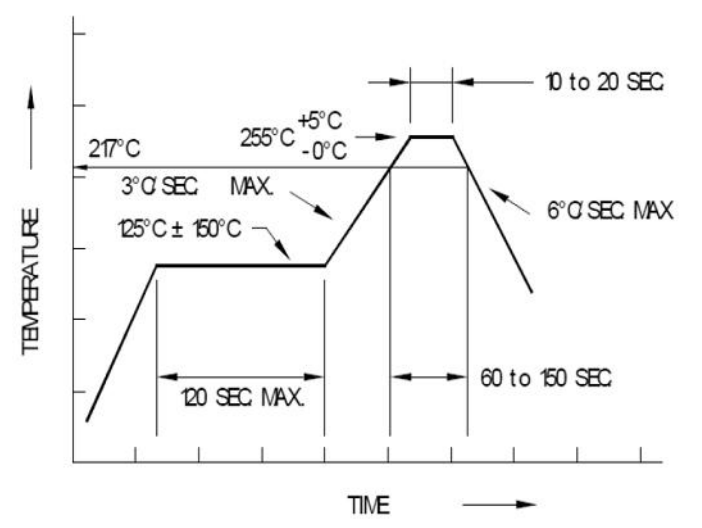
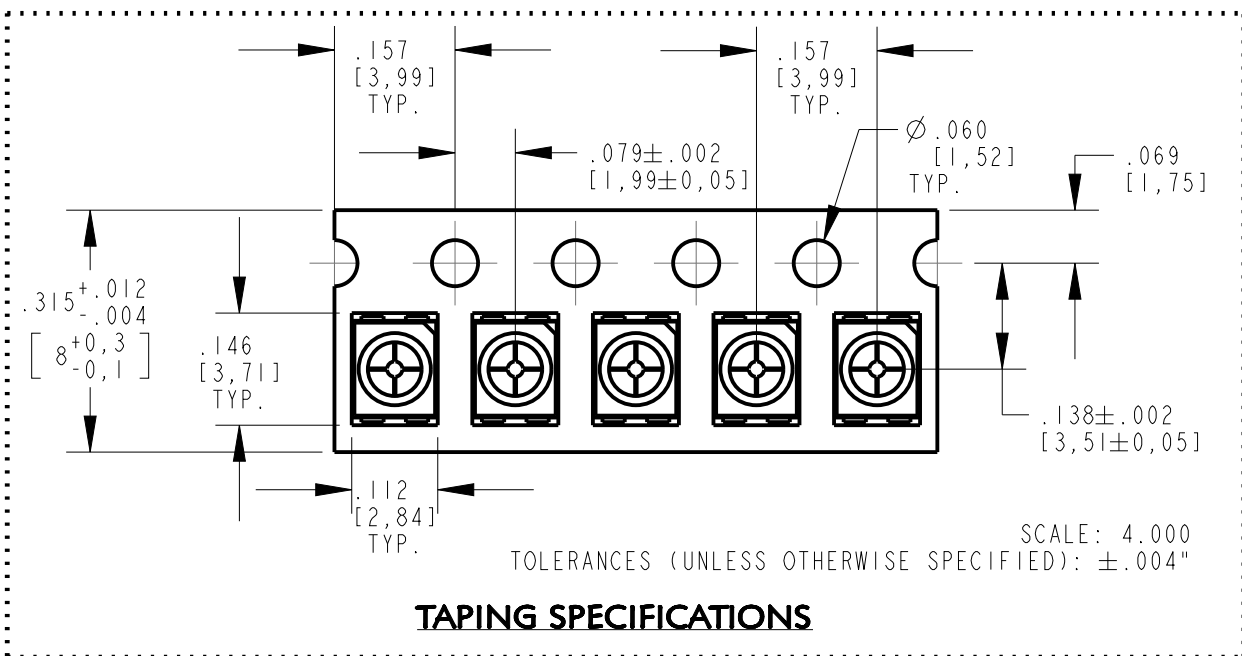
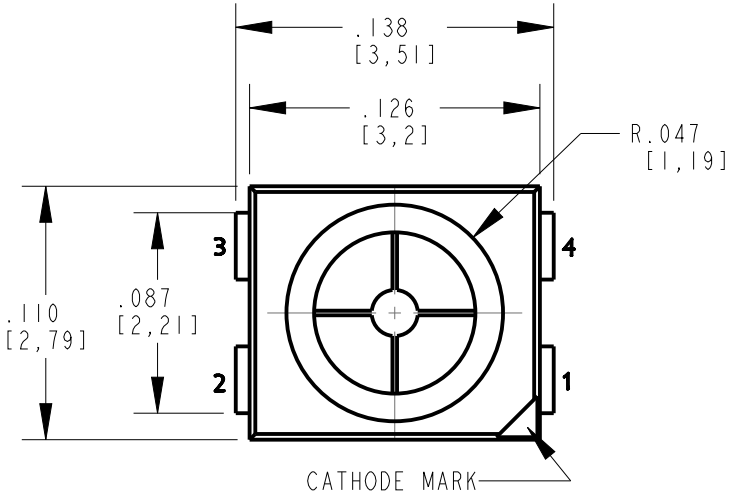
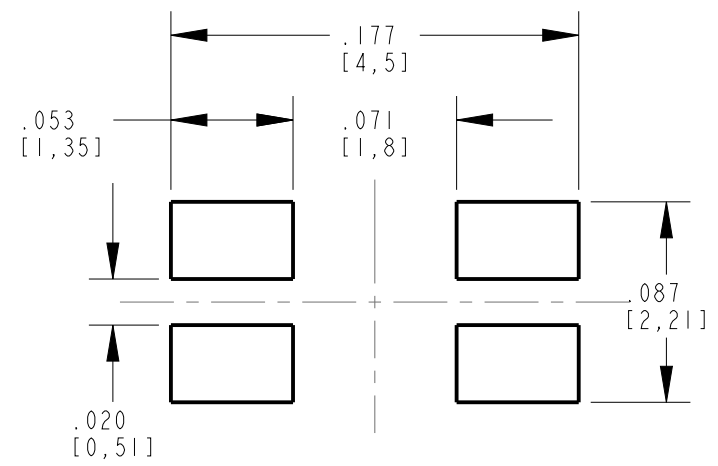
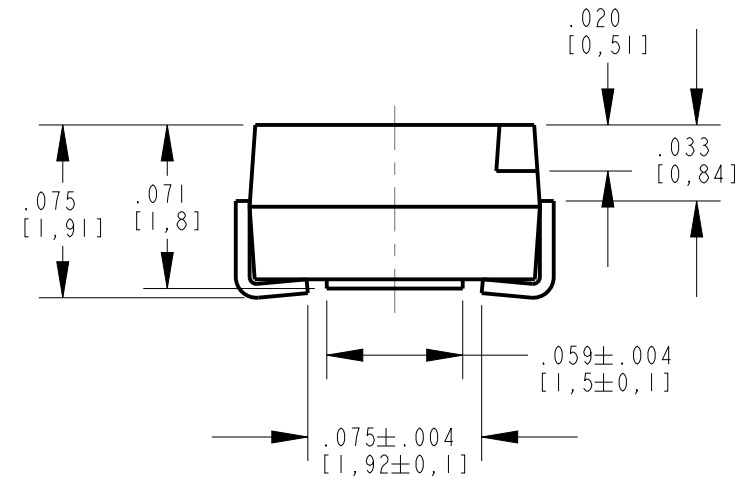


REV	ECN NO	REVISIONS	DRN	CKD	APP	QA	CM	DATE
A	—	NEW RELEASE	BP	—	NO	—	—	1-27-17
B	—	ADDED DOMINANT WAVELENGTH	BP	—	NO	—	—	3-28-17



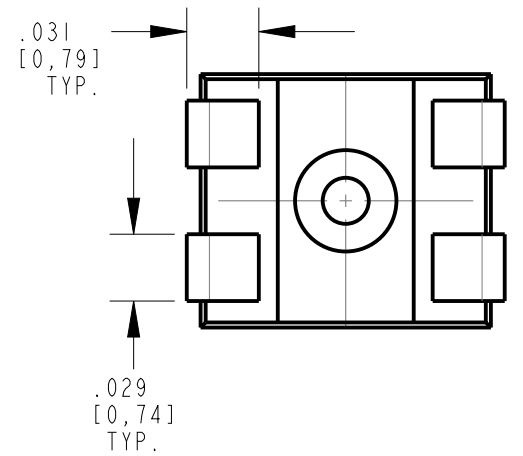
RECOMMENDED RoHS SOLDER PROFILE



RECOMMENDED SOLDER PAD LAYOUT

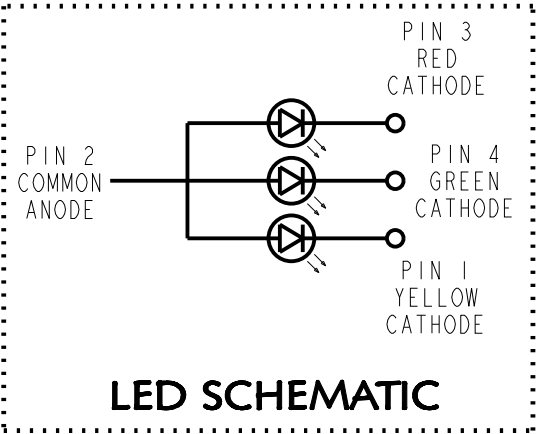
NOTES:

- LED DIE: AlInGaP/GaAS RED, InGaN GREEN & AlInGaP/GaAS YELLOW.
- DIALIGHT P/N: 597-7791-902F/907F.
597-7791-902F: 20 PC STRIP
597-7791-907F: 7" REEL
- PARTS ARE TO BE SUPPLIED IN 8mm CARRIER TAPE ON 7" REEL
2,000 PCS PER REEL.
- PIN NUMBERS ARE FOR REFERENCE ONLY, DESIGNATION NON-EXISTENT ON PART.
- THIS ASSEMBLY CONTAINS ELECTROSTATIC DISCHARGE SENSITIVE DEVICES (ESDS). MAINTAIN ALL PRECAUTIONARY MEASURES DURING ASSEMBLY, HANDLING AND STORAGE IN ACCORDANCE WITH IPC-A-610.
- THIS PRODUCT IS RoHS COMPLIANT. EACH BAG IS TO BE MARKED WITH RoHS COMPLIANT LABEL OR EQUIVALENT MARKINGS. LED MUST BE Pb FREE.



OPERATING CHARACTERISTICS AT 25° C AMBIENT														
LED COLOR	PEAK WAVELENGTH (nm)	DOMINANT WAVELENGTH (nm)			LUMINOUS INTENSITY (mcd) @ I=20mA			DOMINANT WAVELENGTH (nm)			FORWARD VOLTAGE (V) @ I=20mA			VIEWING ANGLE (DEGREES)
	TYP	MIN	TYP	MAX	MIN	TYP	MAX	MIN	TYP	MAX	MIN	TYP	MAX	TYP
RED	635	620	625	630	520	850	1150	620	625	630	—	2.1	2.4	120
GREEN	525	525	530	535	800	1650	1900	525	530	535	—	3.2	3.6	120
YELLOW	593	585	590	595	520	800	1150	585	590	595	—	2.1	2.4	120

ABSOLUTE MAXIMUM RATINGS AT 25° C AMBIENT				RED	GREEN	YELLOW	UNITS
POWER DISSIPATION				72	90	90	mW
CONTINUOUS FORWARD CURRENT				30	25	25	mA
PEAK FORWARD CURRENT (1/10 DUTY CYCLE, 10ms PULSE WIDTH)					100		mA
REVERSE VOLTAGE					5		V
REFLOW SOLDERING TEMPERATURE FOR 5 SEC.					260		°C
OPERATING TEMPERATURE					-30 TO +85		°C
STORAGE TEMPERATURE					-40 TO +100		°C



LED SCHEMATIC



ATTENTION:
OBSERVE PRECAUTIONS FOR
HANDLING ELECTROSTATIC
SENSITIVE DEVICES

THIS DRAWING AND THE CONTENTS HEREIN ARE CONFIDENTIAL AND THE SOLE PROPERTY OF DIALIGHT CORP. REPRODUCTION OF THIS DRAWING OR CONSTRUCTION OF ANY PARTS WITHIN THIS DRAWING ARE FORBIDDEN WITHOUT THE WRITTEN CONSENT OF DIALIGHT CORP.

SCALE: 12.000
ALL DIM'S: INCH (mm)

TOLERANCES: UNLESS OTHERWISE SPECIFIED
FRACTIONS: ±1/64
DECIMALS (.XXX): ±.002
ANGLES: ±1°
FINISH

DRAWING NUMBER: C-18313
REV: B

TITLE: R/G/Y TRI-COLOR SMT LED
PLCC-4 PACKAGE

MATERIAL

Dialight
1501 ROUTE 34 SOUTH
FARMINGDALE, NJ 07727
(732) 919-3119
www.dialight.com

FSCM 83330
SHEET 1 OF 1 FAMILY TABLE: