

**MVP12-P6 DI16 8xM12A IOLA12 B0**

IO-Link Class A Hub

IO-Link hub in 50 mm plastic housing

1 × M12 IO-Link Class A

8 × M12 I/O

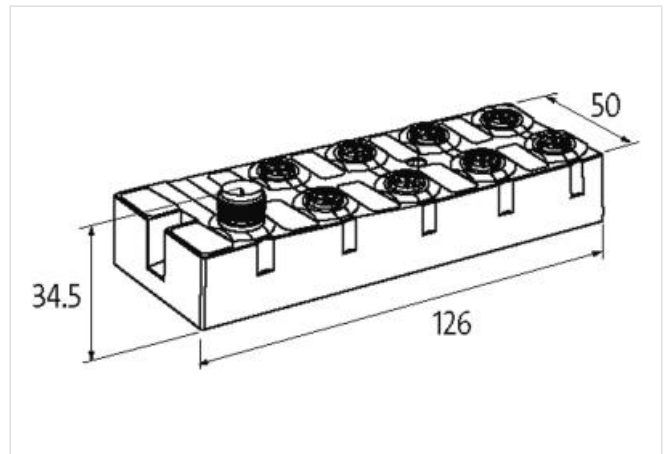
16 digital inputs

Preconfigured parameter range

Connection cables are in the online shop under "Connection Technology".

[Link to Product](#)**Illustration**

Product may differ from Image

**Classifications**

ECLASS-6.0	27242604
ECLASS-6.1	27242604
ECLASS-7.0	27242604
ECLASS-8.0	27242604
ECLASS-9.0	27242604
ECLASS-10.1	27242604
ECLASS-11.1	27242604
ECLASS-12.0	27242604

**Electrical data | Supply**

Operating voltage US DC	24 V
Operating voltage DC	24 V
Operating voltage US DC min.	18 V
Operating voltage US DC max.	30 V
Current operating per port max.	0,5 A
Current consumption max.	40 mA
Total current US max.	4 A

**Electrical data | Input**

Type input	Type 1, Type 3
------------	----------------

Input filter time	1 ms
-------------------	------

#### Industrial communication | IO-Link

IO-Link process data length input	2 Bytes
IO-Link revision ID	V1.1.2
IO-Link revision compatibility	V1.1.3
IO-Link type	Device
IO-Link cycle time min.	1 ms
IO-Link transmission rate	COM3 (230.4 kbit/s)
Port Class	A

#### Diagnostics

Diagnostic via LED	per module and channel
IO-Link events	No voltage, Undervoltage supply
Short circuit diagnosis	yes
LED display	Ethernet connection/data traffic
Status indication LED	green
Overload diagnosis	yes

#### Device protection | Electrical

Installation height max. ASL	3000 m
Degree of protection (EN IEC 60529)	IP68
Short-circuit protected	yes
Overload resistant	yes

#### Mechanical data | Mounting data

Suitable for mounting type	2-hole screw mounting
Height	126 mm
Width	50 mm
Depth	34,5 mm

#### Environmental characteristics | Climatic

Operating temperature min.	-25 °C
Operating temperature max.	70 °C
Storage temperature min.	-40 °C
Storage temperature max.	85 °C

#### Conformities, approvals, certificates

Product standard	EN 61131-2
------------------	------------

#### Connection types

Connection type 1	X0-X3
Connection type 2	X4-X7
Connection type 3	XZ1
Connection type 4	XZ1

#### Connection type 1

Family construction form	M12
Gender	female
Color contact carrier	black
Coding	A
No. of poles	5

#### Connection type 2

Family construction form	M12
Gender	female
Coding	A
No. of poles	5

#### Connection type 3