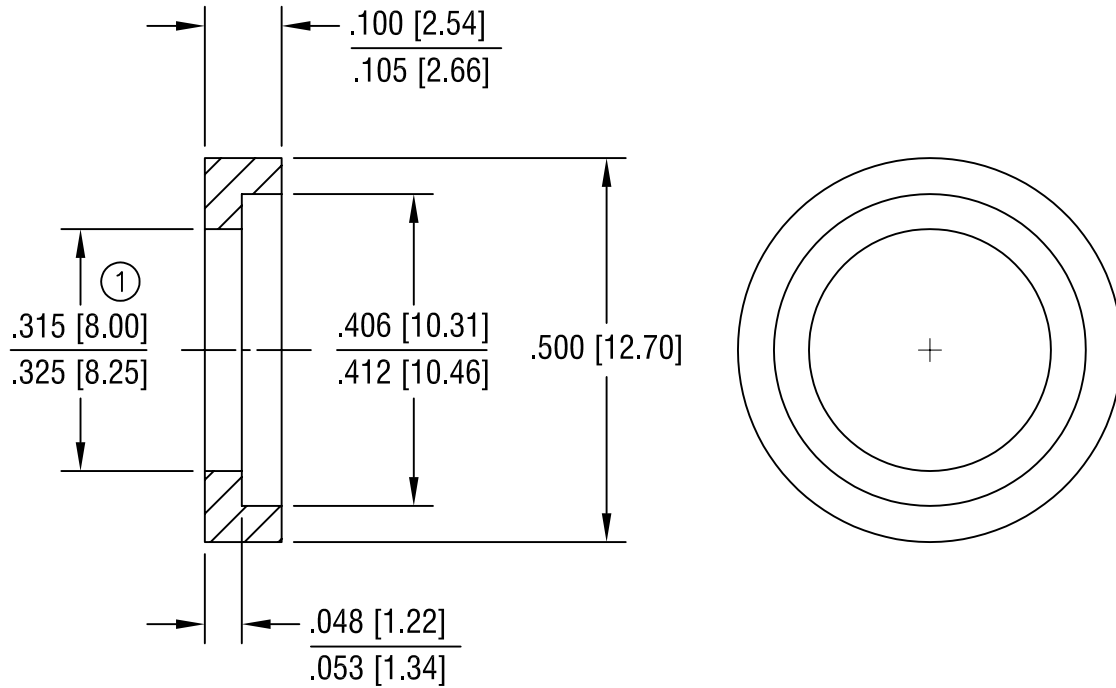


THIS DOCUMENT IS THE PROPERTY OF
KEYSTONE ELECTRONICS CORP. AND
SHALL NOT BE REPRODUCED, DISTRIBUTED
OR USED AS A BASIS FOR MANUFACTURE
WITHOUT PRIOR WRITTEN PERMISSION
FROM KEYSTONE ELECTRONICS CORP.



CAT. NO.	DESCRIPTION
59	RED
60	BLACK

DATE	DESCRIPTION	REV.
11.1.93	REDRAWN, ADDED METRIC	B
8.18.82	① WAS .310	A

KEYSTONE ELECTRONICS CORP.			
ASTORIA, N.Y. 11105-2017			
PART NAME INSULATED POLARIZING WASHER			
MATERIAL MOLDED POLYETHYLENE			
FINISH -	DRN BY BOONE	DATE 10.6.81	
	APP'D LN	SCALE 4X	
TOLERANCES DECIMAL ANGULAR	INCH ± .005 ± 1°	[MM] [± 0.15]	CODE C/M
UNLESS OTHERWISE SPECIFIED			DWG NO. 59-60