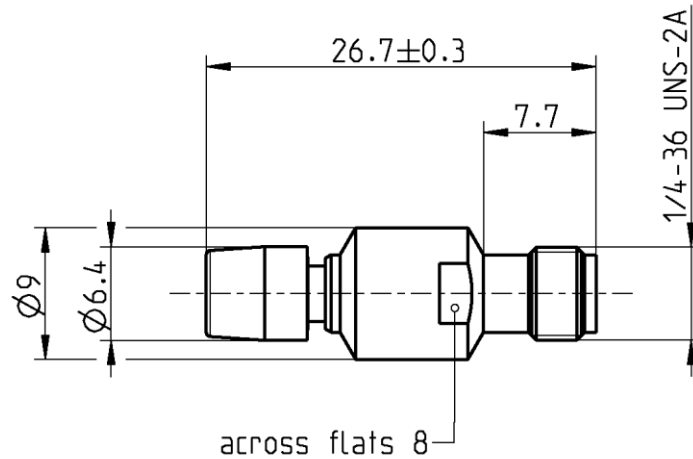
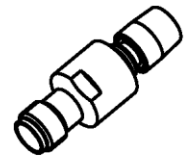


SMB
SMA

Adaptor
SMB Jack – SMA Jack

59K132-K00L5



All dimensions are in mm; tolerances according to ISO 2768 m-H

Interface

| | | |
|--------------|-----------|---|
| According to | SMB side: | IEC 60169-10, CECC 22130, MIL-PRF-39012 |
| | SMA side: | IEC 60169-15; EN 122110; MIL-STD-348A, Fig. 310 |

Documents

N/A

Material and plating

Connector parts

Center contact
Outer contact SMB side
Outer contact SMA side
Dielectric

Material

CuBe
CuBe
CuBe or equiv.
PTFE

Plating

AuroDur®, gold plated
AuroDur®, gold plated
AuroDur®, gold plated

Dieses Dokument ist urheberrechtlich geschützt • This document is protected by copyright • Rosenberger Hochfrequenztechnik GmbH & Co. KG

RFB00035/12.20/6.4

SMB
SMA

Adaptor
SMB Jack – SMA Jack

59K132-K00L5

Electrical data

Impedance 50 Ω
 Frequency DC to 4 GHz
 Return loss ≥ 35 dB, DC to 1 GHz
 ≥ 27 dB, 1 to 4 GHz
 Insertion loss ≤ 0.05 x √f(GHz) dB
 Insulation resistance ≥ 1x10³ MΩ
 Center contact resistance ≤ 5 mΩ, SMB side ≤ 3 mΩ, SMA side
 Outer contact resistance ≤ 2.5 mΩ, SMB side ≤ 2 mΩ, SMA side
 Test voltage 750 V rms, 50 Hz, at sea level
 Working voltage ≤ 250 V rms, 50 Hz, at sea level
 Contact current 1.5 A DC typ.
 RF-leakage ≥ 55 dB up to 1 GHz

Mechanical data

| | | |
|-----------------------------------|-----------------------|------------------|
| | SMB side | SMA side |
| Mating cycles | min. 500 | min. 500 |
| Coupling test torque | N/A | max. 1.7 Nm |
| Recommended torque | N/A | 0.8 Nm to 1.1 Nm |
| Center contact captivation: axial | ≥ 10 N | ≥ 10 N |
| Engagement force | ≤ 63 N | N/A |
| Disengagement force | 8 N min. to 63 N max. | N/A |

Environmental data

Temperature range -55°C to +155°C
 Thermal shock MIL-STD-202, Meth. 107, Cond. B
 Vibration MIL-STD-202, Meth. 204, Cond. B
 Corrosion MIL-STD-202, Meth. 101, Cond. B
 Moisture resistance MIL-STD-202, Meth. 106
 RoHS compliant

Tooling

N/A

Suitable cables

N/A

Weight

Weight 5.9 g/pce

While the information has been carefully compiled to the best of our knowledge, nothing is intended as representation or warranty on our part and no statement herein shall be construed as recommendation to infringe existing patents. In the effort to improve our products, we reserve the right to make changes judged to be necessary.

For the installation of the electrotechnical equipment, particular electrotechnical expertise is required.



| | | | | | | | |
|---------------|----------|-------------|----------|------|---------------------------|----------------|----------|
| Draft | Date | Approved | Date | Rev. | Engineering change number | Name | Date |
| Inge Mühlauer | 14.12.04 | Chr. Janßen | 04.02.21 | c00 | 20-1927 | S. Huber-Siegl | 04.02.21 |

Rosenberger Hochfrequenztechnik GmbH & Co. KG
 P.O.Box 1260 D-84526 Tittmoning Germany
www.rosenberger.com

Tel. : +49 8684 18-0
 Email : info@rosenberger.com

Page
2 / 2