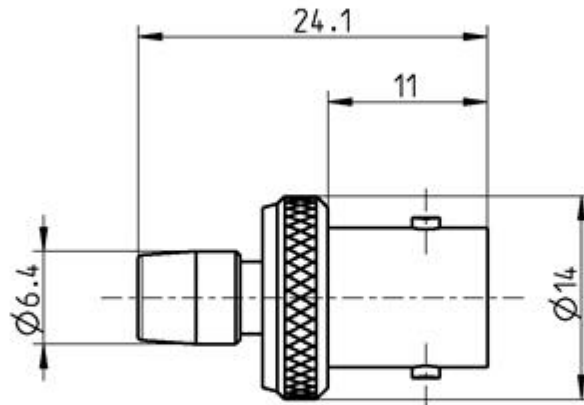


SMB  
BNC

Adaptor  
SMB Jack – BNC Jack

**59K151-K00L5**



All dimensions are in mm; tolerances according to ISO 2768 m-H

**Interface**

According to	SMB side:	IEC 60169-10, CECC 22130, MIL-PRF-39012
	BNC side:	DIN EN 61169-8

**Documents**

N/A

**Material and plating**

**Connector parts**

Center contact  
Outer contact SMB side  
Outer contact BNC side  
Dielectric

**Material**

CuBe  
CuBe  
Brass  
PTFE

**Plating**

AuroDur®, gold plated  
AuroDur®, gold plated  
Nickel, 2.5-5 µm

# Technical Data Sheet

# Rosenberger

SMB  
BNC

Adaptor  
SMB Jack – BNC Jack

## 59K151-K00L5

### Electrical data

Impedance	50 Ω	
Frequency	DC to 4 GHz	
Return loss	≥ 33 dB, DC to 1 GHz	
	≥ 25 dB, 1 to 4 GHz	
Insertion loss	≤ 0.05 x √f(GHz) dB	
Insulation resistance	≥ 1x10 <sup>3</sup> MΩ	
Center contact resistance	≤ 5 mΩ, SMB side	≤ 1.5 mΩ, BNC side
Outer contact resistance	≤ 2.5 mΩ, SMB side	≤ 1 mΩ, BNC side
Test voltage	750 V rms, 50 Hz, at sea level	
Working voltage	≤ 250 V rms, 50 Hz, at sea level	
Contact current	1.5 A DC typ.	
RF-leakage	≥ 55 dB up to 1 GHz	

### Mechanical data

	SMB side	BNC side
Mating cycles	min. 500	min. 500
Center contact captivation: axial	≥ 10 N	≥ 10 N
Engagement force	≤ 63 N	N/A
Disengagement force	8 N min. to 63 N max.	N/A

### Environmental data

Temperature range	-55°C to +155°C
Thermal shock	MIL-STD-202, Meth. 107, Cond. B
Vibration	MIL-STD-202, Meth. 204, Cond. B
Corrosion	MIL-STD-202, Meth. 101, Cond. B
Moisture resistance	MIL-STD-202, Meth. 106
RoHS	compliant

### Tooling

N/A

### Suitable cables

N/A

### Weight

Weight 8.6 g/pce

While the information has been carefully compiled to the best of our knowledge, nothing is intended as representation or warranty on our part and no statement herein shall be construed as recommendation to infringe existing patents. In the effort to improve our products, we reserve the right to make changes judged to be necessary.

For the installation of the electrotechnical equipment, particular electrotechnical expertise is required.



Draft	Date	Approved	Date	Rev.	Engineering change number	Name	Date
Inge Mühlauer	24.10.08	Chr. Janßen	08.02.21	c00	20-1927	S. Huber-Siegl	08.02.21
Rosenberger Hochfrequenztechnik GmbH & Co. KG P.O.Box 1260 D-84526 Tittmoning Germany <a href="http://www.rosenberger.com">www.rosenberger.com</a>					Tel. : +49 8684 18-0 Email : <a href="mailto:info@rosenberger.com">info@rosenberger.com</a>		Page 2 / 2