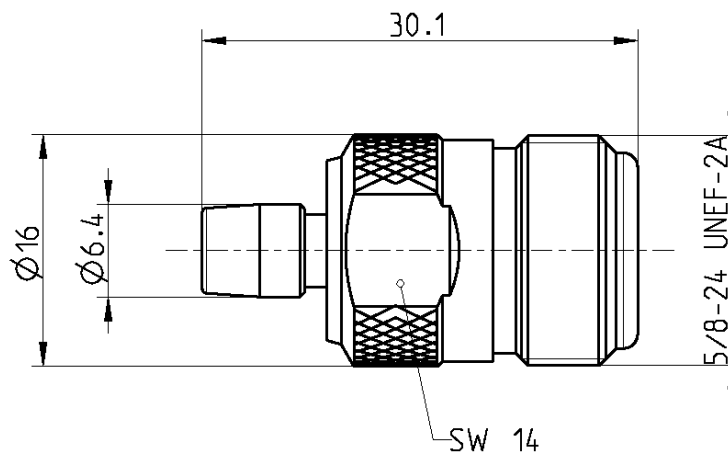
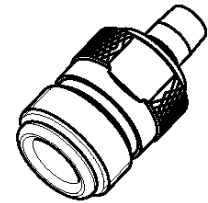


SMB
N 50 Ω Adaptor
SMB Jack – N Jack

59K153-K00L5



All dimensions are in mm; tolerances according to ISO 2768 m-H

Interface

According to	SMB side:	IEC 60169-10, CECC 22130, MIL-PRF-39012
	N side:	IEC 61169-16, MIL-PRF-39012, CECC 22210

Documents

N/A

Material and plating

Connector parts

Center contact
Outer contact SMB side
Outer contact N side
Dielectric

Material

CuBe
CuBe
Brass
PTFE

Plating

AuroDur®, gold plated
AuroDur®, gold plated
Nickel, 2.5-5 µm

Electrical data

Impedance	50 Ω
Frequency	DC to 4 GHz
Return loss	≥ 25 dB, DC to 1 GHz ≥ 22 dB, 1 to 4 GHz
Insertion loss	≤ 0.05 √f(GHz) x dB
Insulation resistance	≥ 1x10 ³ MΩ
Center contact resistance	≤ 5 mΩ, SMB side ≤ 1 mΩ, N side
Outer contact resistance	≤ 2.5 mΩ, SMB side ≤ 0.25 mΩ, N side
Test voltage	750 V rms, 50 Hz, at sea level
Working voltage	≤ 250 V rms, 50 Hz, at sea level
Contact current	1.5 A DC typ.
RF-leakage	≥ 55 dB up to 1 GHz

Mechanical data

	SMB side	N side
Mating cycles	min. 500	min. 500
Center contact captivation: axial	≥ 10 N	≥ 10 N
Engagement force	≤ 63 N	N/A
Disengagement force	8 N min. to 63 N max.	N/A
Coupling test torque	N/A	max. 1.7 Nm
Recommended torque	N/A	0.7 Nm to 1.1 Nm

Environmental data

Temperature range	-55°C to +155°C
Thermal shock	MIL-STD-202, Meth. 107, Cond. B
Vibration	MIL-STD-202, Meth. 204, Cond. B
Corrosion	MIL-STD-202, Meth. 101, Cond. B
Moisture resistance	MIL-STD-202, Meth. 106
RoHS	compliant

Tooling

N/A

Suitable cables

N/A

Weight

Weight 26.4 g/pce

While the information has been carefully compiled to the best of our knowledge, nothing is intended as representation or warranty on our part and no statement herein shall be construed as recommendation to infringe existing patents. In the effort to improve our products, we reserve the right to make changes judged to be necessary.

For the installation of the electrotechnical equipment, particular electrotechnical expertise is required.



Draft	Date	Approved	Date	Rev.	Engineering change number	Name	Date
Inge Mühlauer	29.10.08	Chr. Janßen	04.02.21	c00	20-1927	S. Huber-Siegl	04.02.21