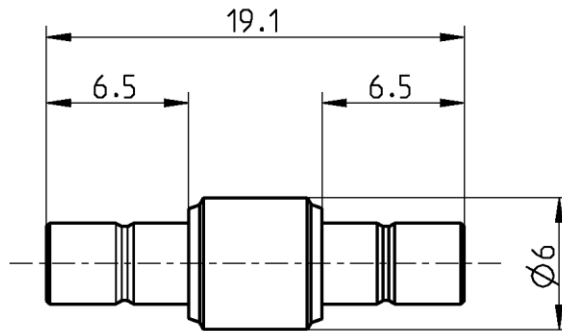


SMB

Adaptor
Plug – Plug

59S101-S00L5



All dimensions are in mm; tolerances according to ISO 2768 m-H

Interface

According to IEC 60169-10, CECC 22130, MIL-PRF-39012

Documents

N/A

Material and plating

Connector parts

Center contact
Outer contact
Body
Dielectric

Material

Brass
Brass
Brass
PTFE

Plating

AuroDur®, gold plated
AuroDur®, gold plated
Gold, min. 0.8 µm, over nickel

Dieses Dokument ist urheberrechtlich geschützt • This document is protected by copyright • Rosenberger Hochfrequenztechnik GmbH & Co. KG

RFB00035/12.20/6.4

Electrical data

| | |
|---------------------------|---|
| Impedance | 50 Ω |
| Frequency | DC to 4 GHz |
| Return loss | ≥ 23 dB, DC to 1 GHz ≥ 20 dB, 1 to 4 GHz |
| Insertion loss | ≤ 0.05 √f(GHz) x dB |
| Insulation resistance | ≥ 1x10 ³ MΩ |
| Center contact resistance | ≤ 5 mΩ |
| Outer contact resistance | ≤ 2.5 mΩ |
| Test voltage | 750 V rms, 50 Hz, at sea level |
| Working voltage | ≤ 250 V rms, 50 Hz, at sea level |
| Contact current | 1.5 A DC typ. |
| RF-leakage | ≥ 55 dB up to 1 GHz |

Mechanical data

| | |
|-----------------------------------|-----------------------|
| Mating cycles | ≥ 500 |
| Center contact captivation: axial | ≥ 10 N |
| Engagement force | ≤ 63 N |
| Disengagement force | 8 N min. to 63 N max. |

Environmental data

| | |
|---------------------|---------------------------------|
| Temperature range | -55°C to +155°C |
| Thermal shock | MIL-STD-202, Meth. 107, Cond. B |
| Vibration | MIL-STD-202, Meth. 204, Cond. B |
| Corrosion | MIL-STD-202, Meth. 101, Cond. B |
| Moisture resistance | MIL-STD-202, Meth. 106 |
| RoHS | compliant |

Tooling

N/A

Suitable cables

N/A

Weight

Weight 1.7 g/pce

While the information has been carefully compiled to the best of our knowledge, nothing is intended as representation or warranty on our part and no statement herein shall be construed as recommendation to infringe existing patents. In the effort to improve our products, we reserve the right to make changes judged to be necessary.

For the installation of the electrotechnical equipment, particular electrotechnical expertise is required.



| | | | | | | | |
|--|----------|-------------|----------|------|--|----------------|---------------|
| Draft | Date | Approved | Date | Rev. | Engineering change number | Name | Date |
| Inge Mühlauer | 06.07.07 | Chr. Janßen | 09.02.21 | c00 | 20-1927 | S. Huber-Siegl | 09.02.21 |
| Rosenberger Hochfrequenztechnik GmbH & Co. KG P.O.Box 1260 D-84526 Tittmoning Germany www.rosenberger.com | | | | | Tel. : +49 8684 18-0 Email : info@rosenberger.com | | Page 2 / 2 |