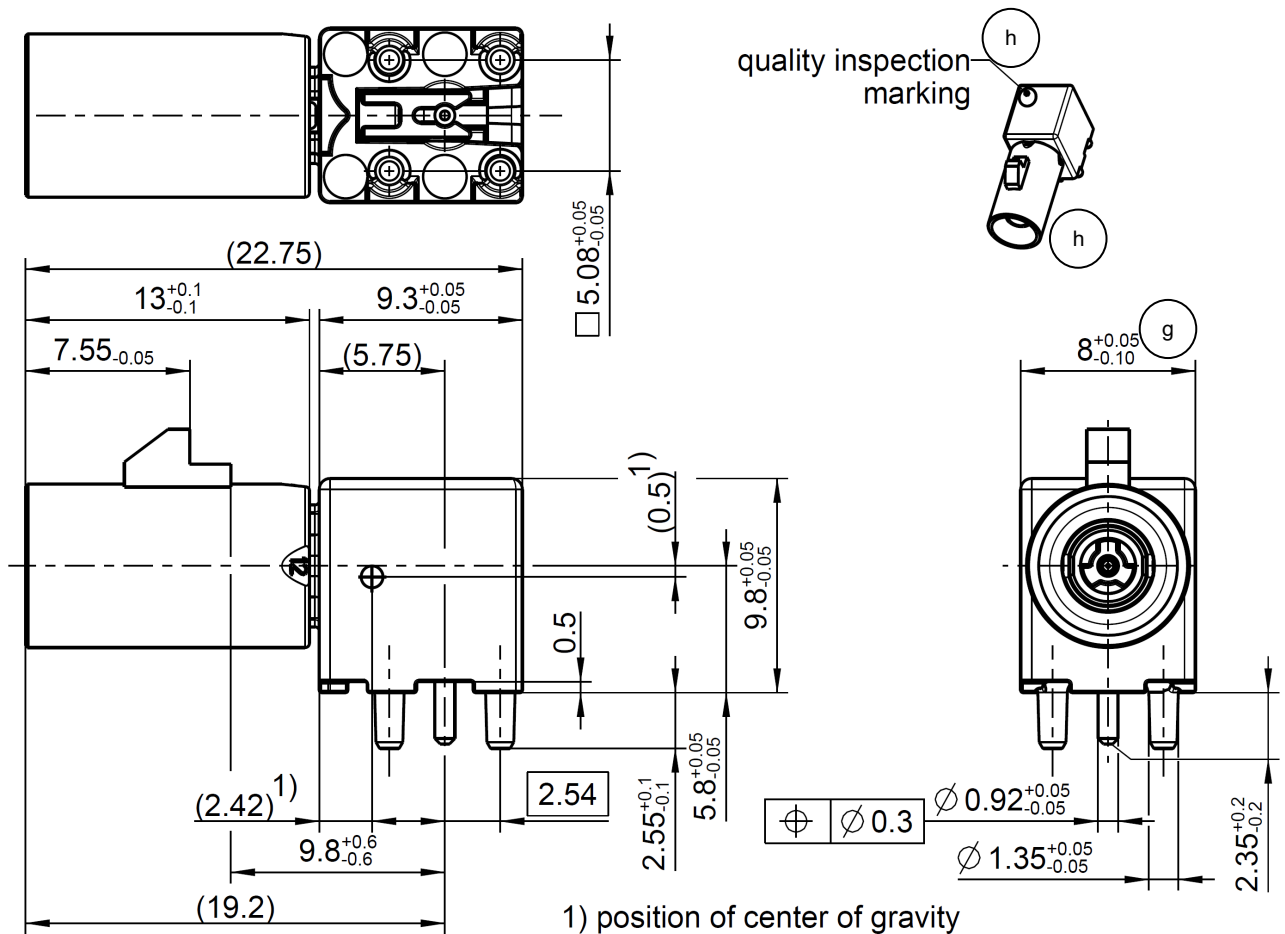


FAKRA -
HF

RIGHT ANGLE PLUG
FOR PCB

59S22B-40MT5-Y



All dimensions are in mm; tolerances according to ISO 2768 m-H
Y = Part number has to be accomplished by codification

Bereich / range	Masse / dimensions (mm)			
	0 bis / to 0.5	0.5 bis / to 3	3 bis / to 6	6 bis / to 30
Toleranz / Tolerance (mm)	± 0.05 *)	± 0.1	± 0.1	± 0.2

*) Angabe abweichend zu / Indication deviant to DIN ISO 2768 m-H

Interface

According to

DIN 72594-1, USCAR 17
ISO 20860-1

g

Documents

PCB layout
Tape and reel packaging

MB_281
VG 179.28800
VG 179.40000

FAKRA -
HF

RIGHT ANGLE PLUG
FOR PCB

59S22B-40MT5-Y

Material and plating

Connector parts

	Material	Plating
Center contact	Brass	AuroDur®
Outer contact	Zinc alloy	Tin, 2-6 µm
Dielectric	HTN	
Housing	HTN	

Electrical data

Impedance	50	
Frequency	DC to 6 GHz	
Return loss	≥ 26 dB, DC to 1 GHz	
Insertion loss	≤ 0.1 x √f(GHz) dB	
Insulation resistance	≥ 1x10 ³ MΩ	
Center contact resistance	≤ 5 mΩ	
Outer contact resistance	≤ 5 mΩ	
Test voltage	750 V rms	
Working voltage	≤ 60 V DC	(h)
Power current	≤ 1 A DC	

- Connector only, VSWR in application depends decisive on PCB layout -

Mechanical data

Mating cycles	≥ 25
Engagement force	≤ 25 N
Disengagement force	≥ 2 N
Retention force latch	≥ 110 N
Coding efficiency	≥ 40 N

Environmental data

Temperature range	-40°C to +105°C
Thermal shock	DIN 72594-2 clause 8.2
Temperature and humidity	DIN 72594-2 clause 8.3
Vibration and mechanical shock	DIN 72594-2 clause 8.1
Dry heat	DIN 72594-2 clause 8.4
Soldering profile	acc. to IEC 60068-2-58 group3&4
RoHS	compliant

Tooling

N/A

Packing

Standard	50 pcs in blister, 288 pcs in tape & reel, +400 pcs in tape & reel on request
Weight	4.9 g/pce

Dieses Dokument ist urheberrechtlich geschützt • This document is protected by copyright • Rosenberger Hochfrequenztechnik GmbH & Co. KG

RF_35/09_14/6.2