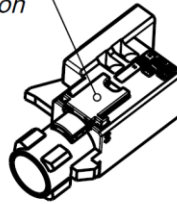
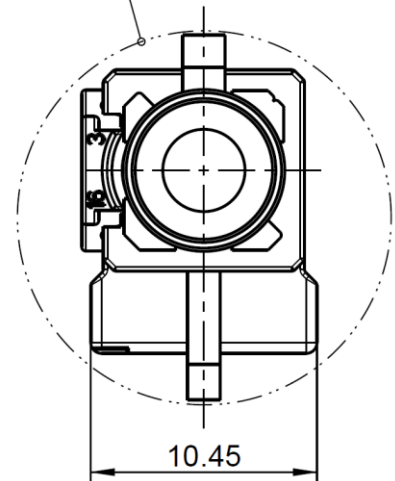
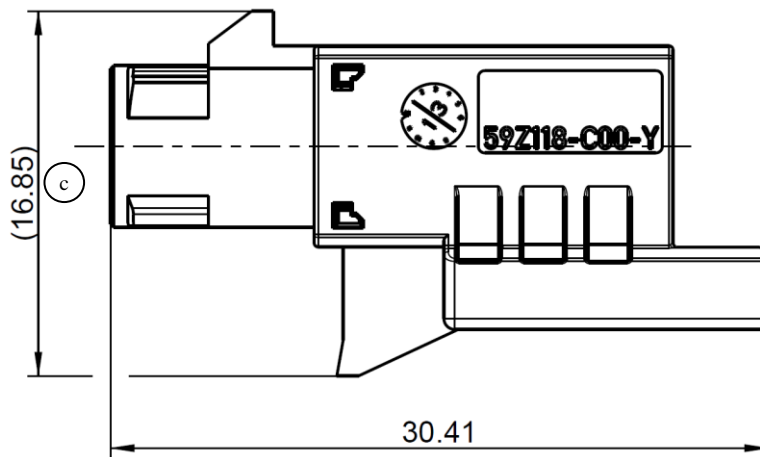


secondary lock in
delivery condition



envelope \varnothing 18mm



All dimensions are in mm; tolerances according to ISO 2768 m-H
Y = Part number has to be accomplished by codification

Interface

According to
Clips slot acc. to

ISO 20860-1; DIN 72594-1
USCAR 18 rev3 app. C

Material and plating

Connector parts

Housing
Secondary lock

Material

PBT-GF10
PBT-GF10

Mechanical data

Mating cycles \geq 25
Retention force latch \geq 110 N
Retention force primary lock \geq 80 N
Retention force secondary lock \geq 60 N
Coding efficiency \geq 40 N

Dieses Dokument ist urheberrechtlich geschützt • This document is protected by copyright • Rosenberger Hochfrequenztechnik GmbH & Co. KG

RF_35/09.14/6.2

FAKRA-
HF

PLASTIC HOUSING

59Z118-C00-Y

Environmental data

Temperature range	-40°C to +105°C
Thermal shock	DIN 72594-2 clause 8.2
Temperature and humidity	DIN 72594-2 clause 8.3
Vibration and mechanical shock	DIN 72594-2 clause 8.1
Dry heat	DIN 72594-2 clause 8.4
RoHS	compliant

(b)

Application

Applicable e.g for following connectors: 59S10E-1xx **, 59S10L-1xx **, 59S10O-1xx **, 59S16A-1xx **

** -xx for all available cable variations

Packing

Standard	400 pcs in box
Weight	1.74 g/pce

(d)

Dieses Dokument ist urheberrechtlich geschützt • This document is protected by copyright • Rosenberger Hochfrequenztechnik GmbH & Co. KG

RF_35/09_14/6.2