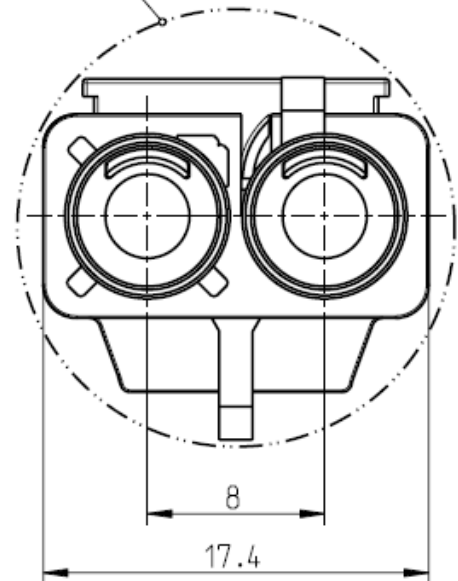
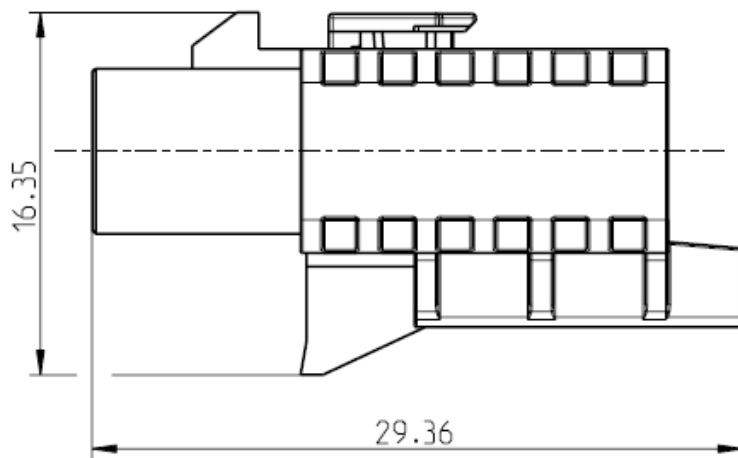


envelope \varnothing 20.5mm



All dimensions are in mm; tolerances according to ISO 2768 m-H
 Y = Part number has to be accomplished by codification

Interface and coding

According to
 Clips slot acc. To

DIN 72594-1, ISO 20860-1
 USCAR 18 rev3 app.C

Material and plating

Connector parts

Housing
 Secondary lock

Material

PBT
 PBT

Dieses Dokument ist urheberrechtlich geschützt • This document is protected by copyright • Rosenberger Hochfrequenztechnik GmbH & Co. KG

RF_35/05.10/6.0

Mechanical data

Mating cycles	≥ 25
Retention force latch	≥ 110 N
Retention force primary lock	≥ 80 N
Retention force secondary lock	≥ 60 N
Coding efficiency	≥ 40 N

Environmental data

Temperature range	-40°C to +105°C
Thermal shock	DIN 72594-2 clause 8.2
Temperature and humidity	DIN 72594-2 clause 8.3
Vibration and mechanical shock	DIN 72594-2 clause 8.1
Dry heat	DIN 72594-2 clause 8.4
RoHS	compliant

Application

Applicable e.g. for following connectors: 59S10E-1xx *; 59S17E-1xx *; 59S10L-1xx *; 59S100-1xx *; 59S16A-1xx * (b)

**-xx for all available cable variations*

Packing

Standard 500 pcs in box (b)
 Weight 2.5 g/pce

Dieses Dokument ist urheberrechtlich geschützt • This document is protected by copyright • Rosenberger Hochfrequenztechnik GmbH & Co. KG

RF_35/05.10/6.0