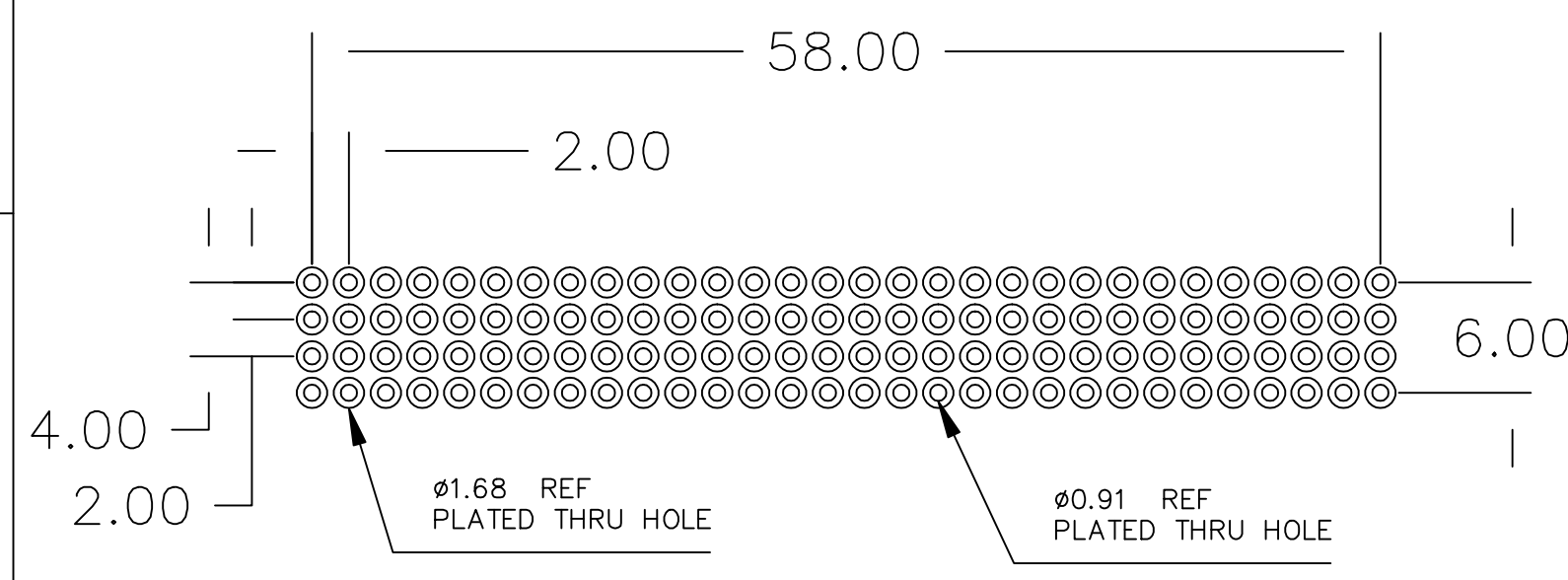
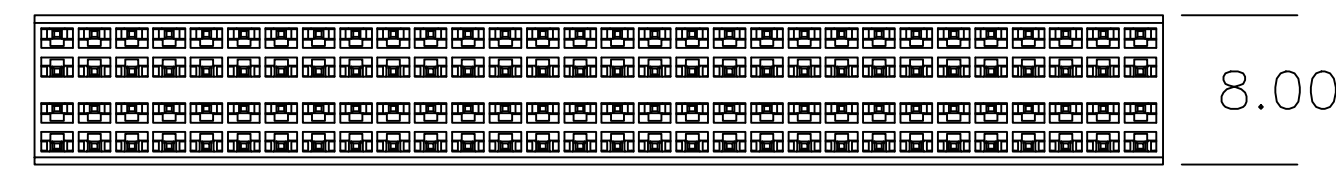
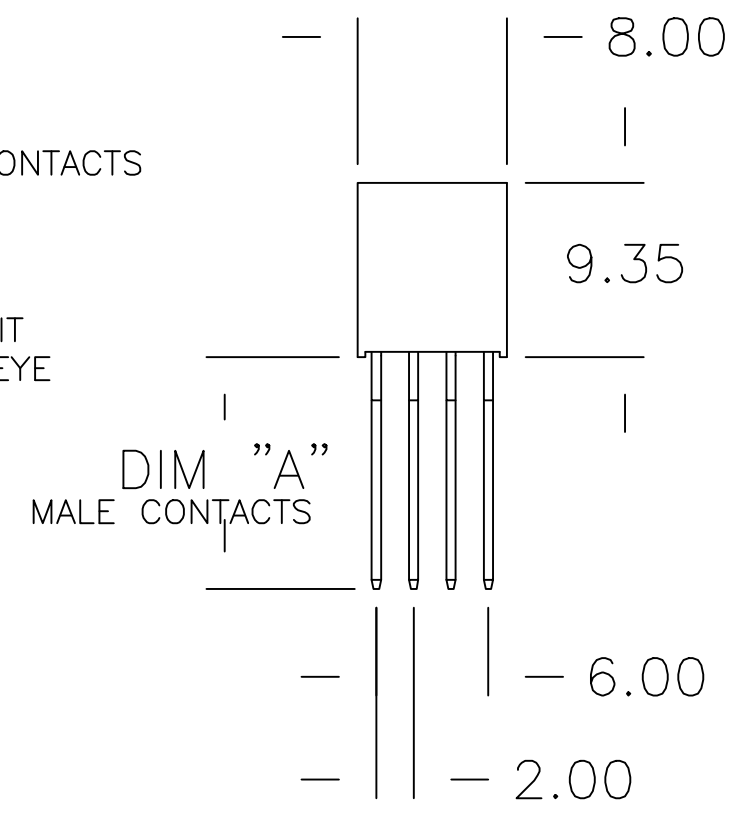
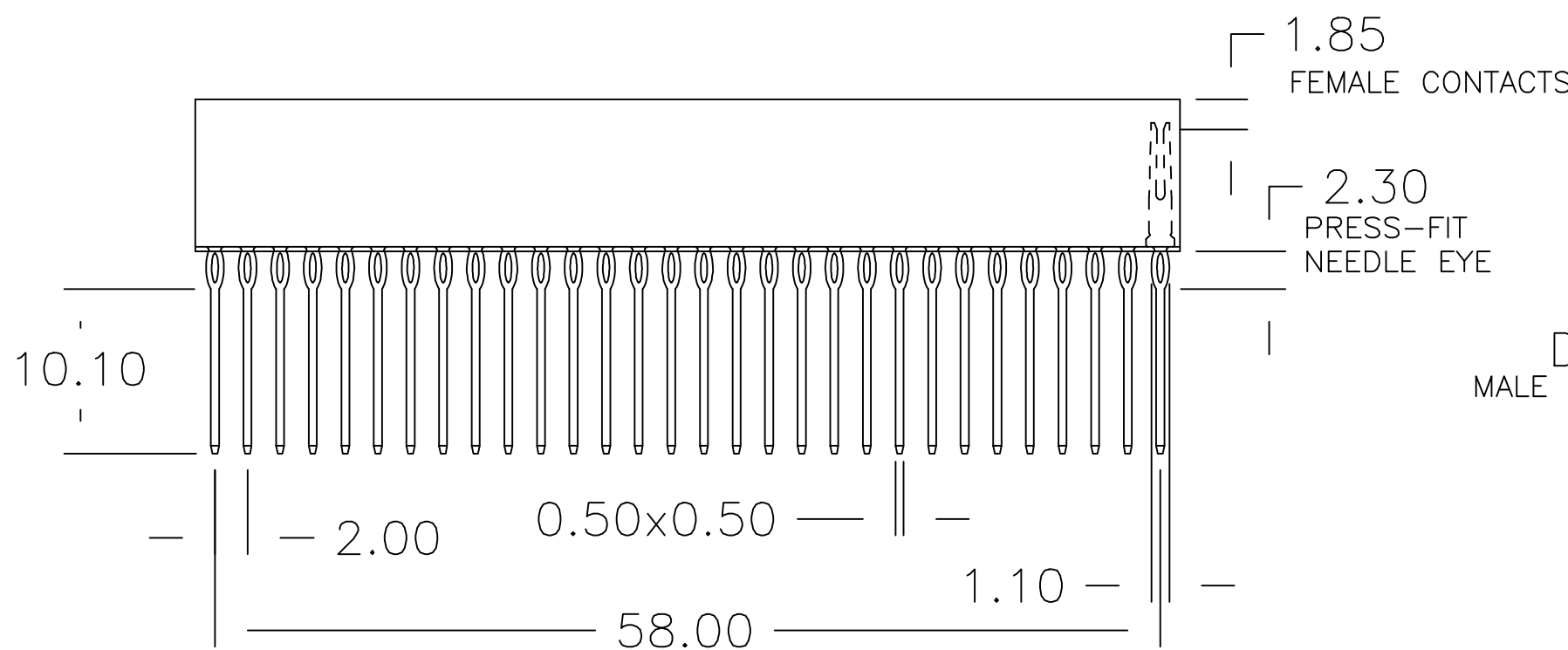
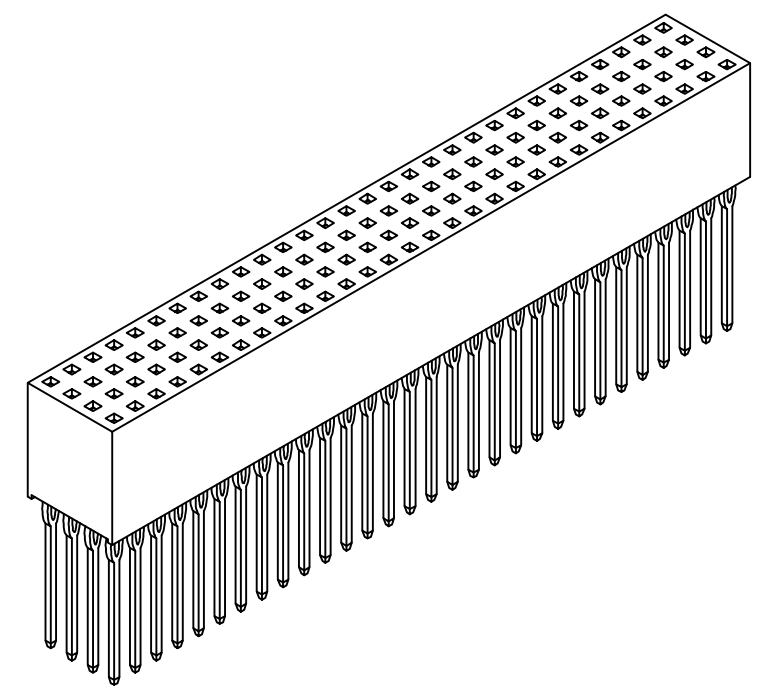
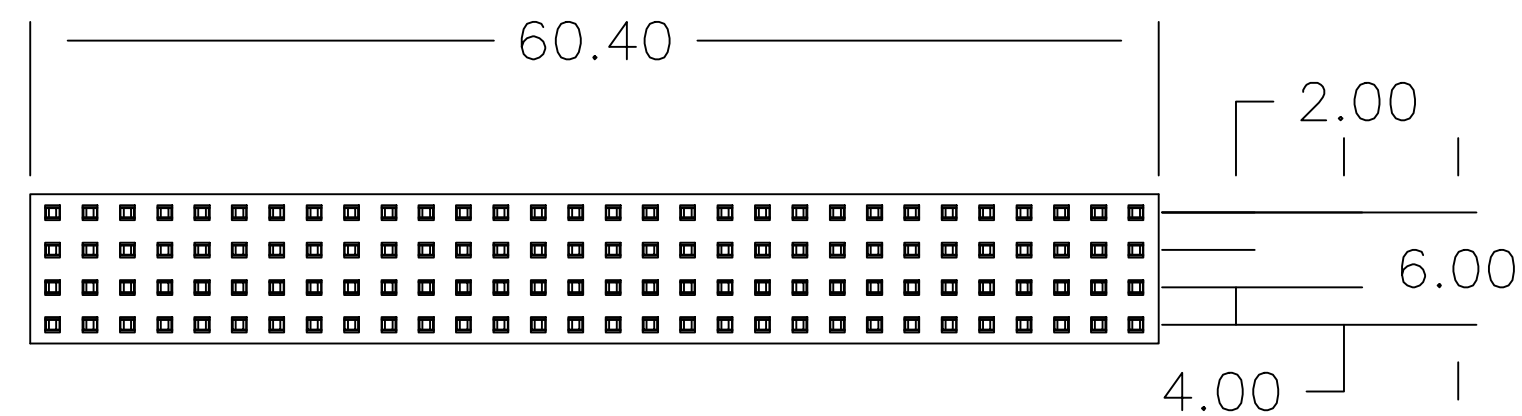


3M™ CONNECTOR FOR PC104 PLUS EMBEDDED SYSTEM APPLICATIONS, COMPLIANT

D
C
B
A

D
C
B
A



RECOMMENDED P.C.B LAYOUT
TOLERANCES: $\pm 0.05\text{mm}$

- NOTES:
- MATERIAL:
CONTACT MATERIAL: PHOSPHOR BRONZE
INSULATOR MATERIAL: POLYESTER NYLON-6T
UL 94V-0
 - PLATING: $\mu\text{M}[\mu"]$
-DA
0.08[3] MIN Au FEMALE CONTACTS
0.08[3] MIN Au MALE CONTACTS
1.27[50] MIN Ni UNDERCOAT
-MG
0.38[15] MIN Au FEMALE CONTACTS
0.08[3] MIN Au MALE CONTACTS
1.27[50] MIN Ni UNDERCOAT
-SL
0.38[15] MIN Au FEMALE CONTACTS
2.54[100] MIN Sn NON-STACK-THRU TAILS
1.27[50] MIN Ni UNDERCOAT
 - CURRENT RATING: 2 AMPS
INSULATOR RESISTANCE: 5000 MEGA OHMS MIN
CONTACT RESISTANCE: 20 MILLIOHMS MAX
DIELECTRIC WITHSTAND: 500 VAC
OPERATING TEMPERATURE: -40°C TO $+105^{\circ}\text{C}$
MAX PROCESSING TEMPERATURE; 230°C FOR 60 SECONDS
 260°C FOR 10 SECONDS
 - SEE THE REGULATORY INFORMATION APPENDIX (RIA) IN THE "ROHS COMPLIANCE" SECTION OF: WWW.3MCONNECTOR.COM FOR COMPLIANCE INFORMATION (RIA E1 & C1 APPLY).
 - IN THE EVENT OF CONFLICT BETWEEN THIS DATA AND THAT CONTAINED IN THE PRODUCT SPEC., THE PRODUCT SPEC. TAKES PRECEDENT.
 - REFERENCE DOCUMENT 78-9101-3959-7
 - PART NO:

TYPE	PART NO.	DIM "A"	MIN STANDOFF	MAX STANDOFF
STACK-THRU PRESS-FIT	5P03-2021-XX	12.40	14.5	18.4
NON-STACK-THRU SOLDER	5P03-2012-XX	2.80	9.5	
NON-STACK-THRU PRESS-FIT	5P03-2011-XX	2.80	9.5	

-XX IS PLATING TYPE

DESIGN REFERENCE		NEXT ASSEMBLY		B	33766	REMOVE 5P03-20022-XX FROM TABLE	MWL	TS
REV	ECO	DATE	ISSUE DATE AND DESCRIPTION	DRFT	DATE	MFG	DATE	CHKD
					02/02/11			
CHKD	TS	DATE	APPV.	DATE				
		02/02/11						
DIVISION		DIVISION CODE				© 3M COPYRIGHT This document is the copyrighted property of the 3M Company and may not be reproduced without 3M written permission or used for other than 3M authorized purposes.		
DO NOT SCALE DRAWING	SCALE	TOLERANCES EXCEPT AS NOTED		INCHES .0 ± .00 ± .000 ± .0000 ± MILLIMETERS 0 ± .0 ±.3 .00 ±.20 .000 ± ANGLES ±				
THIRD ANGLE PROJECTION		INTERPRET PER ASME Y14.5 - 1994		TITLE 5P03-20XX-XX PC104 PLUS COMPLIANT, 120-PIN, CONNECTOR				
MAX SURFACE ROUGHNESS		<input type="checkbox"/> ALL SURFACES <input checked="" type="checkbox"/> MARKED ONLY		CAGE NUMBER	SIZE	DRAWING NO.		REV.
					C	78-5100-2391-0		B
				MODEL	DET. LISTS		YES	NO
						SHT 1 OF 2		

4 3 2 1

3M™ CONNECTOR FOR PC104 PLUS EMBEDDED SYSTEM APPLICATIONS, COMPLIANT

PC104 PLUS CONNECTOR ORDERING GUIDE

5P 0 X - 2 0 X X - XX

PRODUCT FAMILY:
PC104 PLUS

No. CONTACTS:
3=120

PLATING OPTIONS: $\mu\text{M}[\mu\text{"]}$

DA = 0.08[3] MIN Au ALL OVER
1.27[50] MIN Ni ALL OVER


MG = 0.38[15] MIN Au FEMALE CONTACTS
0.08[3] MIN Au TAIL AREA
1.27[50] MIN Ni ALL UNDER

SL = 0.38[15] MIN Au FEMALE CONTACTS
2.54[100] MIN MATTE Sn TAILS
1.27[50] MIN Ni ALL UNDER
(NON-STACK-THRU ONLY)

BODY HEIGHT:	TAIL LENGTH:	STANDOFF HEIGHT:
1=9.4	2.8	[MIN-MAX]mm
2=9.4	12.40	[9.5-]
		[14.5-18.4]

TAIL TYPE:
1=PRESS-FIT
2=SOLDER

NOTE: STANDOFF HEIGHT, 15mm = COMPLIANT,
OTHERS = BUS COMPATIBLE
TAIL LENGTH, > 4.3mm = STACK-THRU
< 4.2mm = NON-STACK-THRU

DESIGN REFERENCE		NEXT ASSEMBLY		B	33766	REMOVE 5P03-20022-XX FROM TABLE	MWL	TS
REV	ECO	ISSUE DATE AND DESCRIPTION	DRFT	CHKD	DATE	MFG	DATE	CHKD
			MWL		02/02/11			
CHGD	TS	DATE	APPVL	DATE	02/02/11			
DIVISION		DIVISION CODE		 3M Center St. Paul, MN 55144		© 3M COPYRIGHT This document is the copyrighted property of the 3M Company and may not be reproduced without 3M written permission or used for other than 3M authorized purposes.		
DO NOT SCALE DRAWING	SCALE	TOLERANCES EXCEPT AS NOTED		INCHES .0 ± .00 ± .000 ± .0000 ±				
THIRD ANGLE PROJECTION		MILLIMETERS		0 ± .0 ± .3 .00 ± .20 .000 ±				
INTERPRET PER ASME Y14.5 - 1994		ANGLES ±		CAGE NUMBER		DRAWING NO.		REV.
<input type="checkbox"/> ALL SURFACES <input checked="" type="checkbox"/> MARKED ONLY				C		78-5100-2391-0		B
				MODEL		DET. LISTS		YES NO SHT 2 OF 2